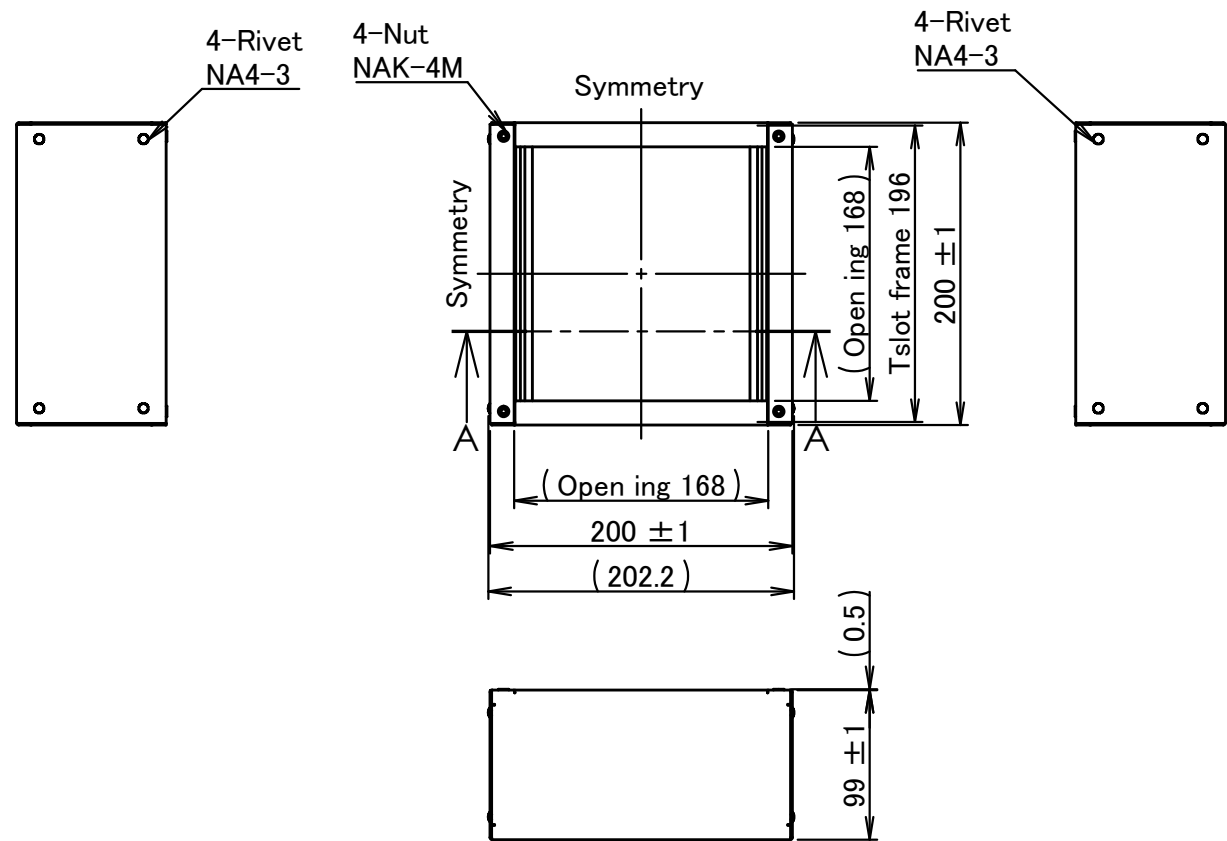
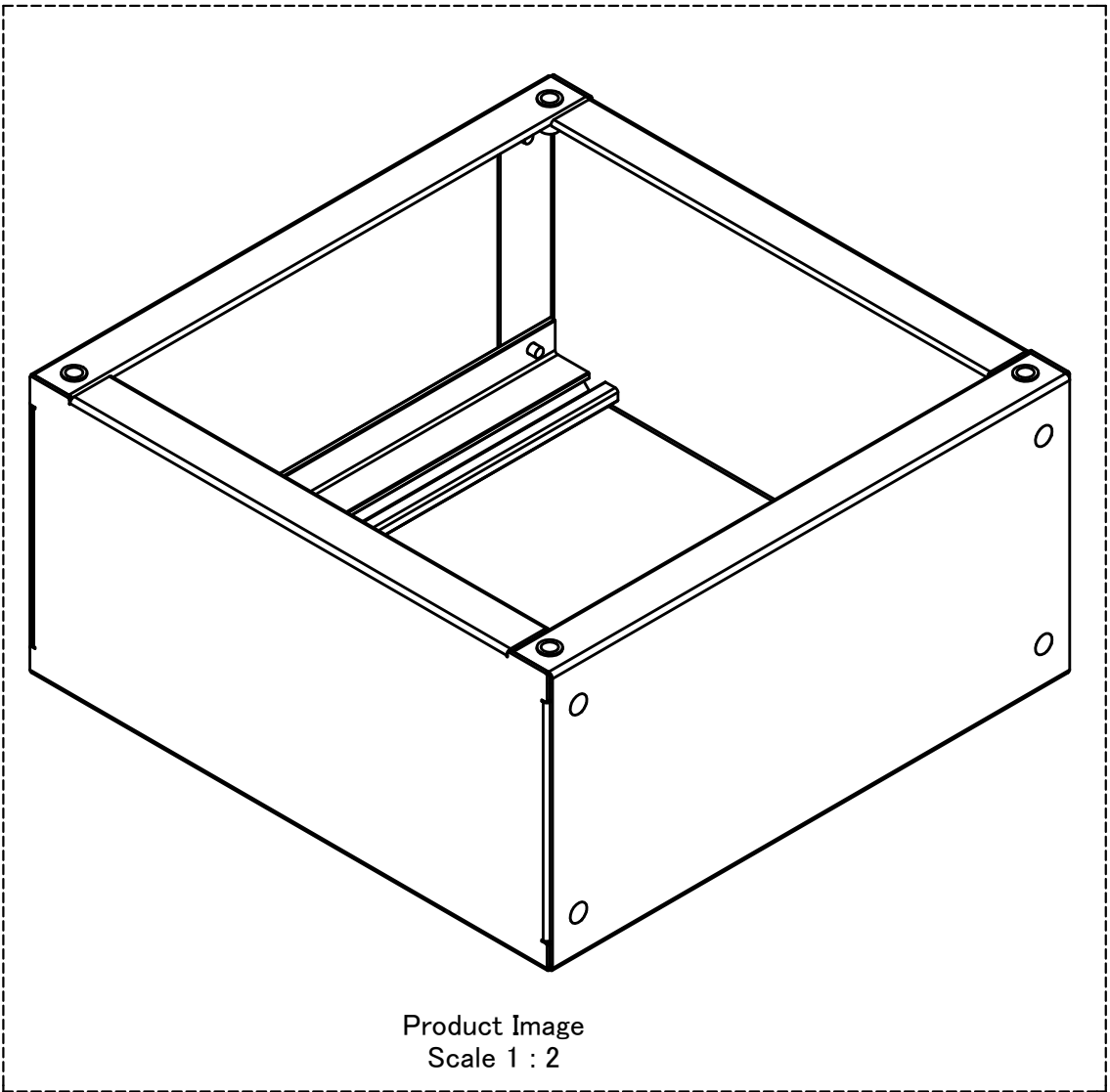
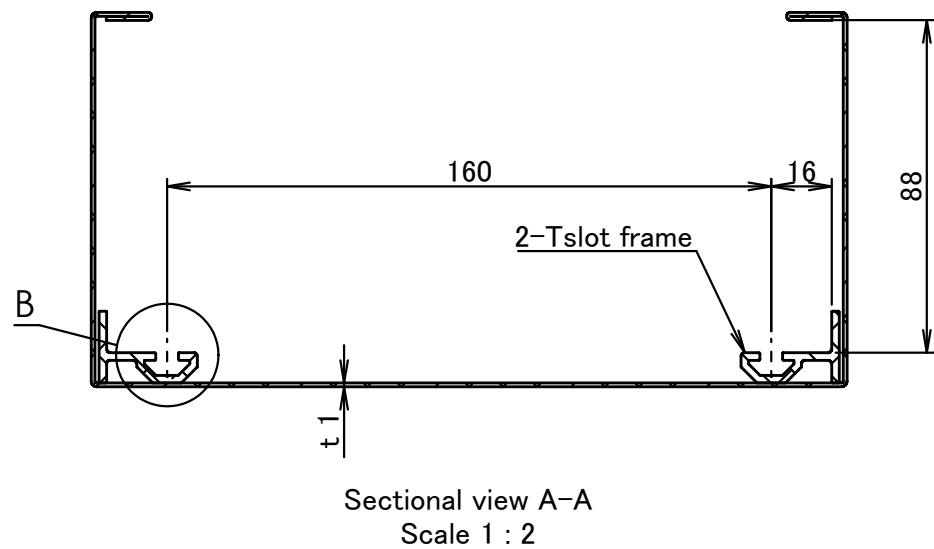
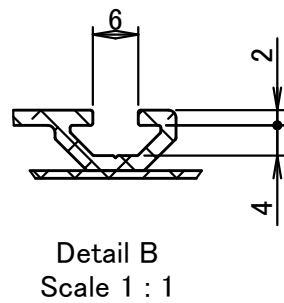
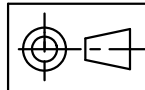


A B C D E F G H J K L M N P Q R

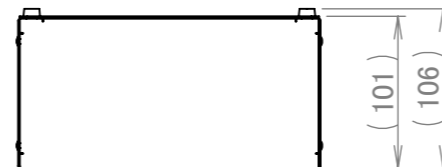
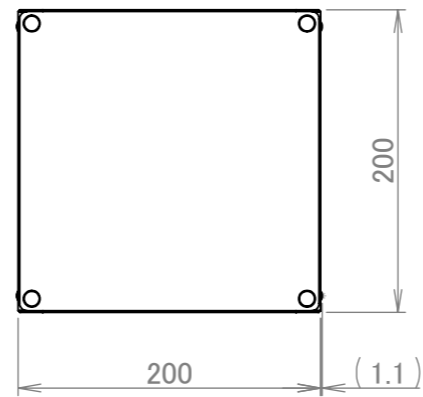
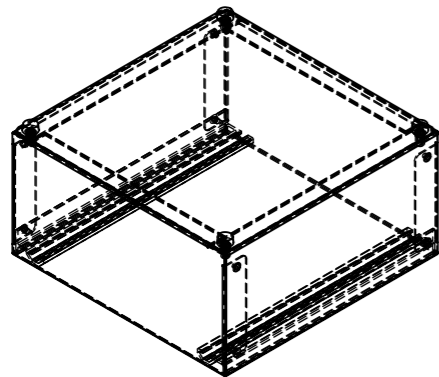
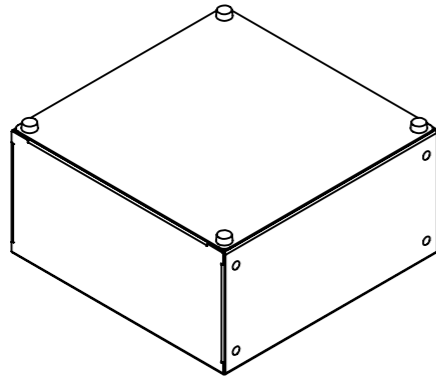
0
1
2
3
4
5
6
7
8
9



Drawing size:A3



SCALE
1:5



Sheet : A3
Scale 1 : 5

L400-xxx-yyy-100B