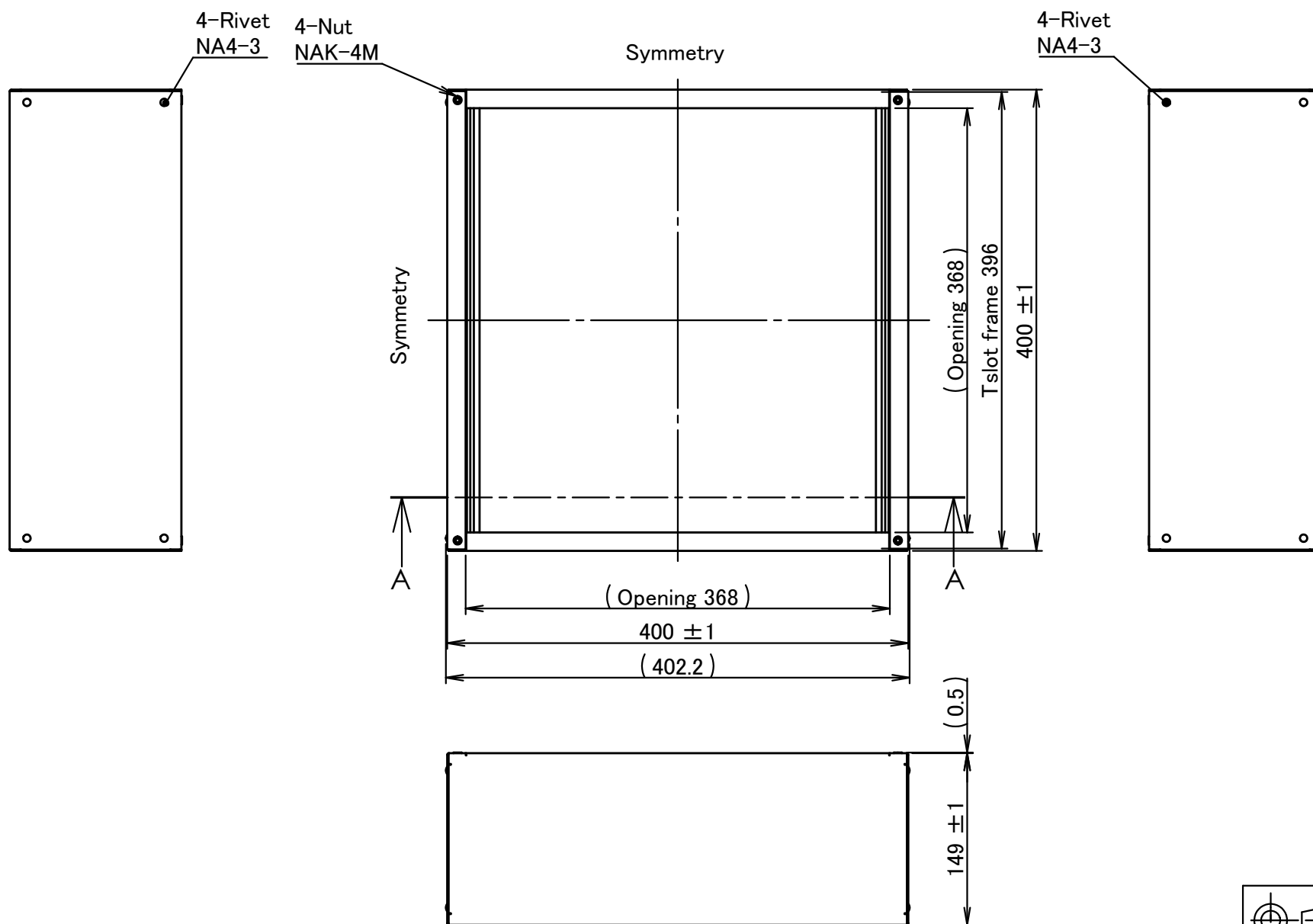
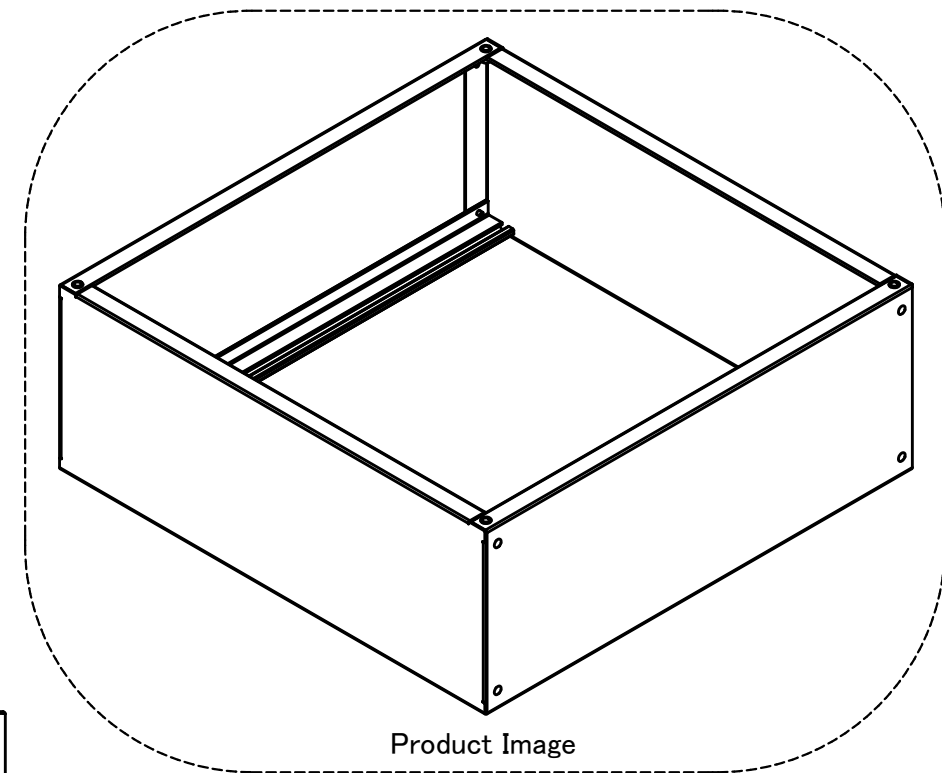
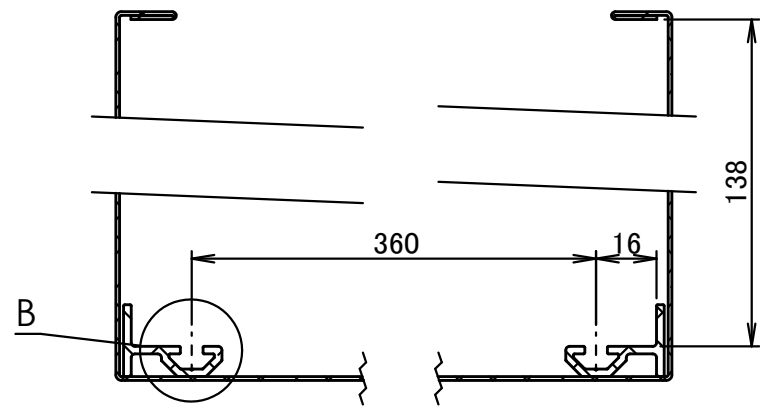
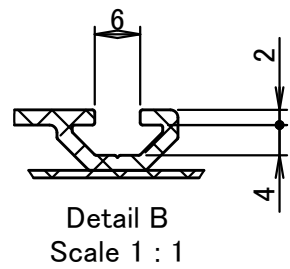
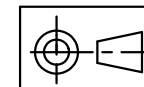


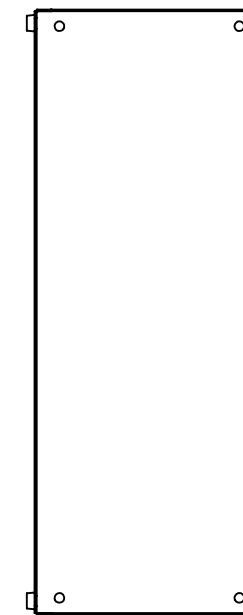
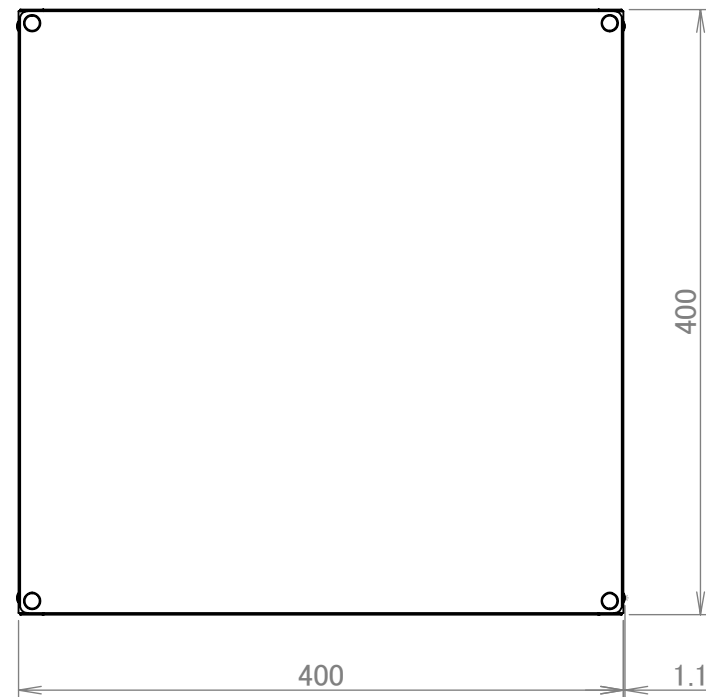
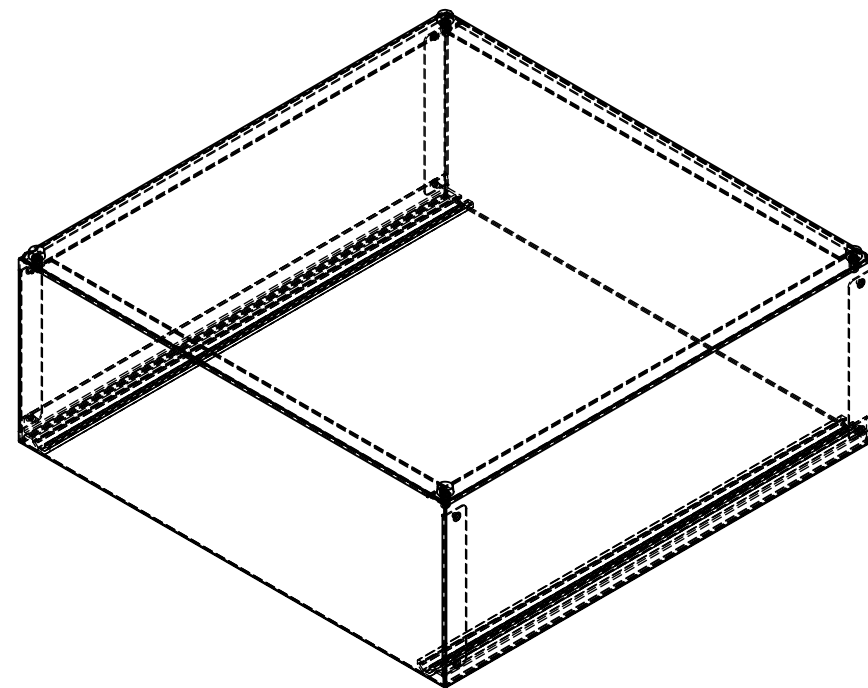
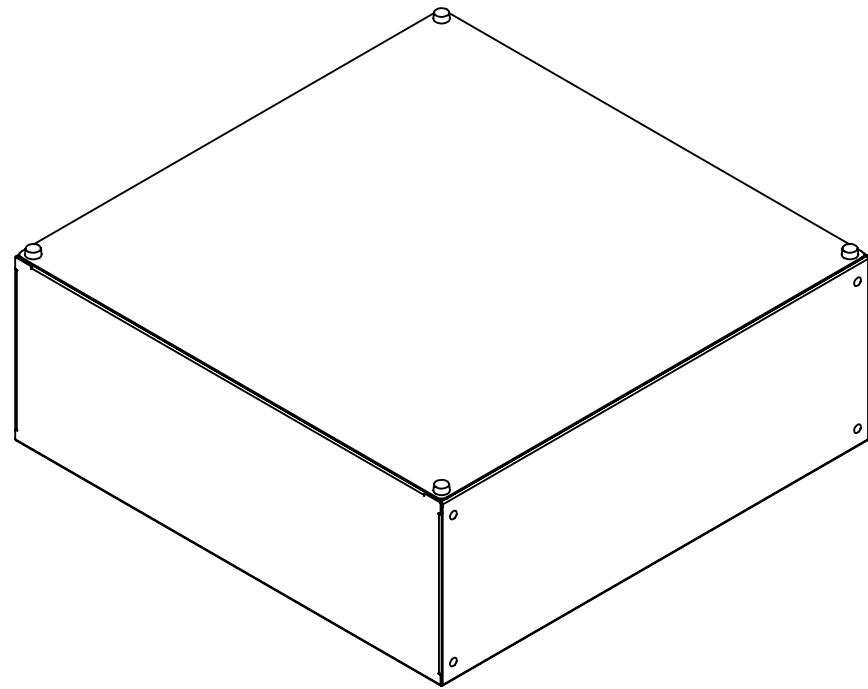
A B C D E F G H J K L M N P Q R



Drawing size:A3



SCALE  
1:5



Sheet : A3  
Scale 1 : 5

***L400-xxx-yyy-150B***