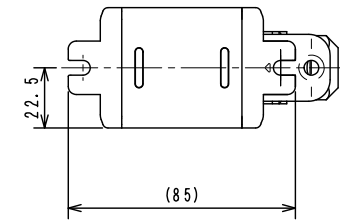
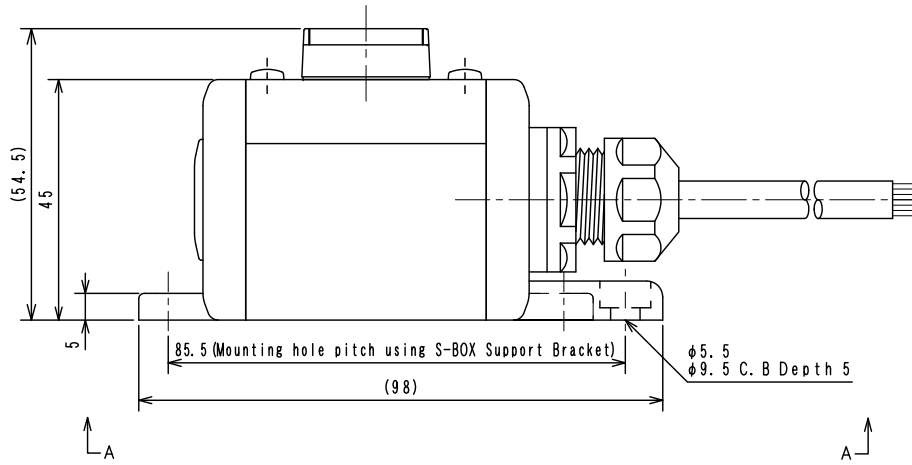
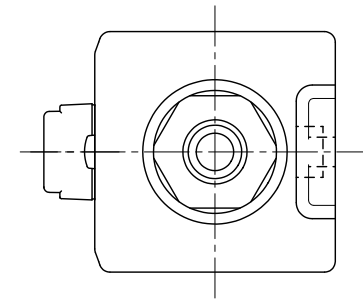
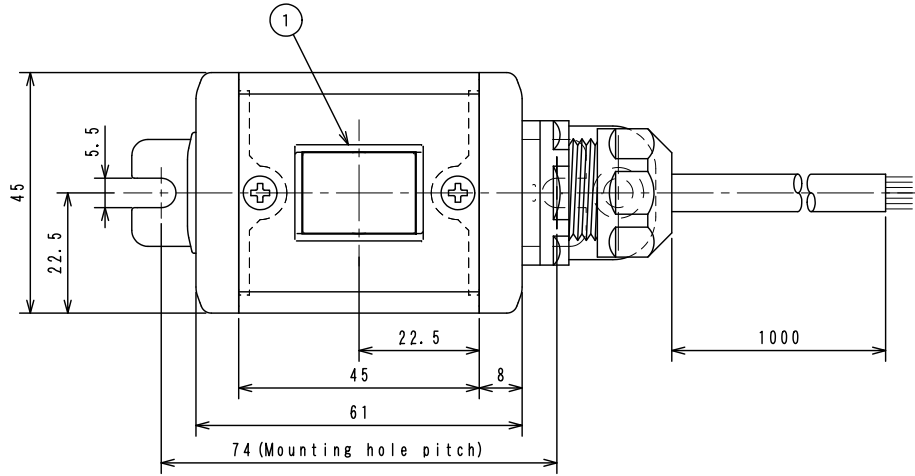
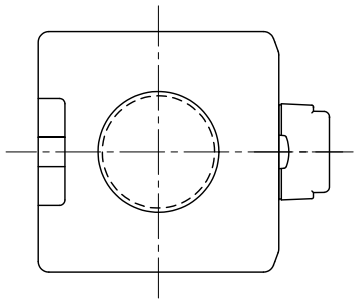


Item No.
NJC-119

1	C1S-765G	Indicator DR16F0N-E3G
---	----------	-----------------------

※Attached: S-BOX Support Bracket <D4R-001B>

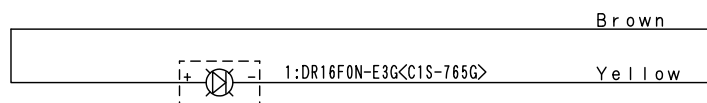


A-A View
Scale 1:2

<Associated drawings>
WCW000507-00

Applicable Item No.	NJC-119
---------------------	---------

No.	Switch Model No.	Item No.
1	DR16F0N-E3G	C1S-765G



Cable processing detail

