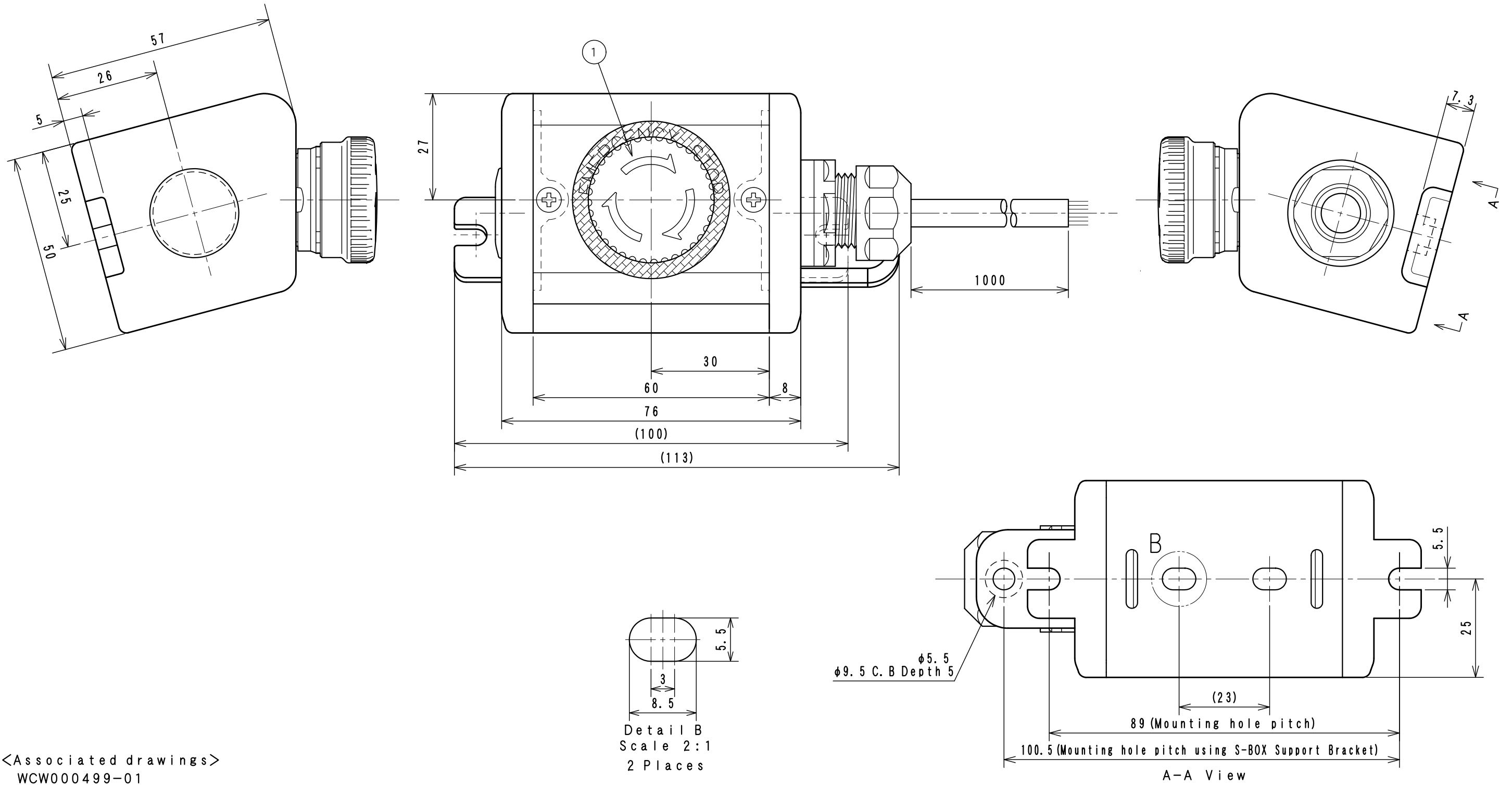


Item No.	Assembly Name
NJC-121	S-5057D Switch 1/1m 1P+SB

※Attached: S-BOX Support Bracket <D4R-001B>

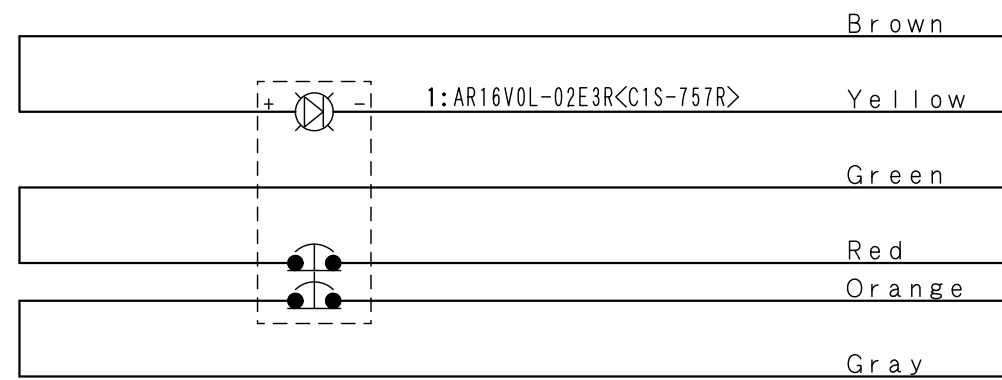
1	C1S-757R	Emergency Stop Switch (Lighted) AR16V0L-02E3R
---	----------	---



<Associated drawings>  
WCW000499-01

Applicable Item No.	NJC-111
	NJC-121

No.	Switch Model No.	Item No.
1	AR16V0L-02E3R	C1S-757R



Cable processing detail

