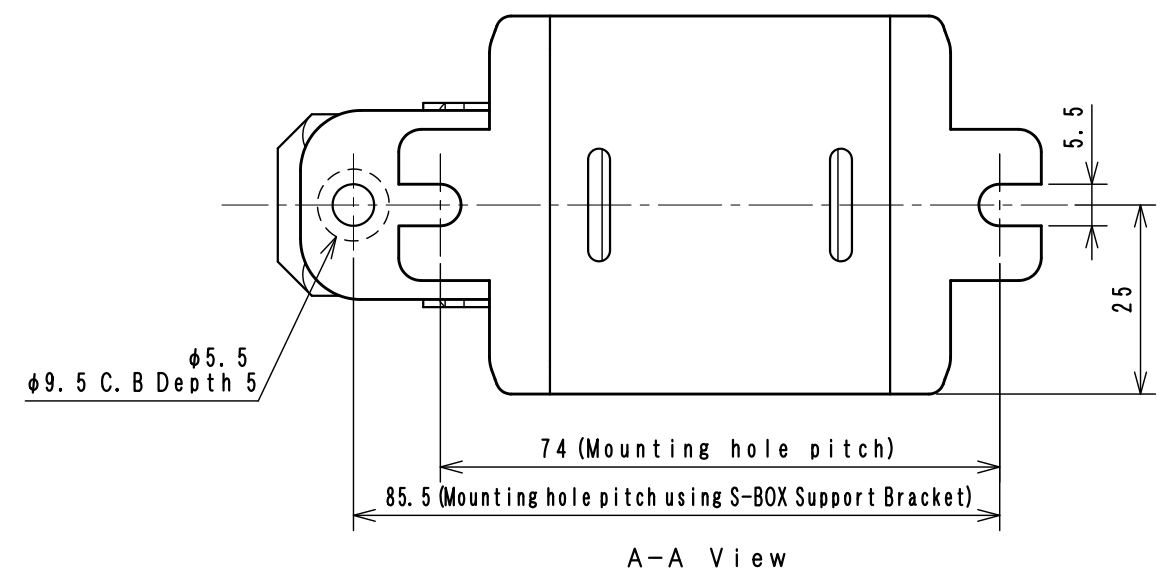
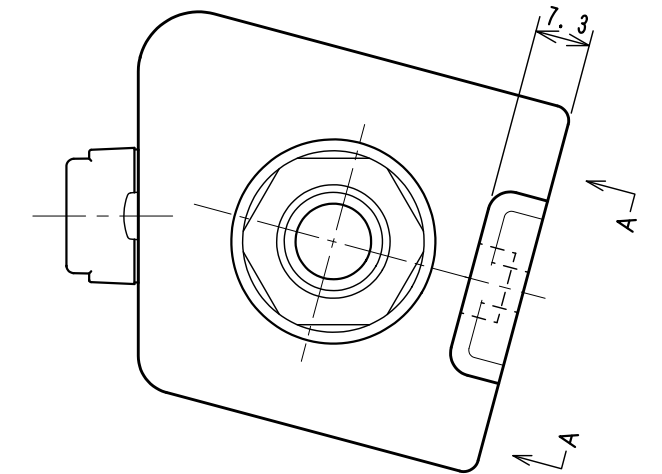
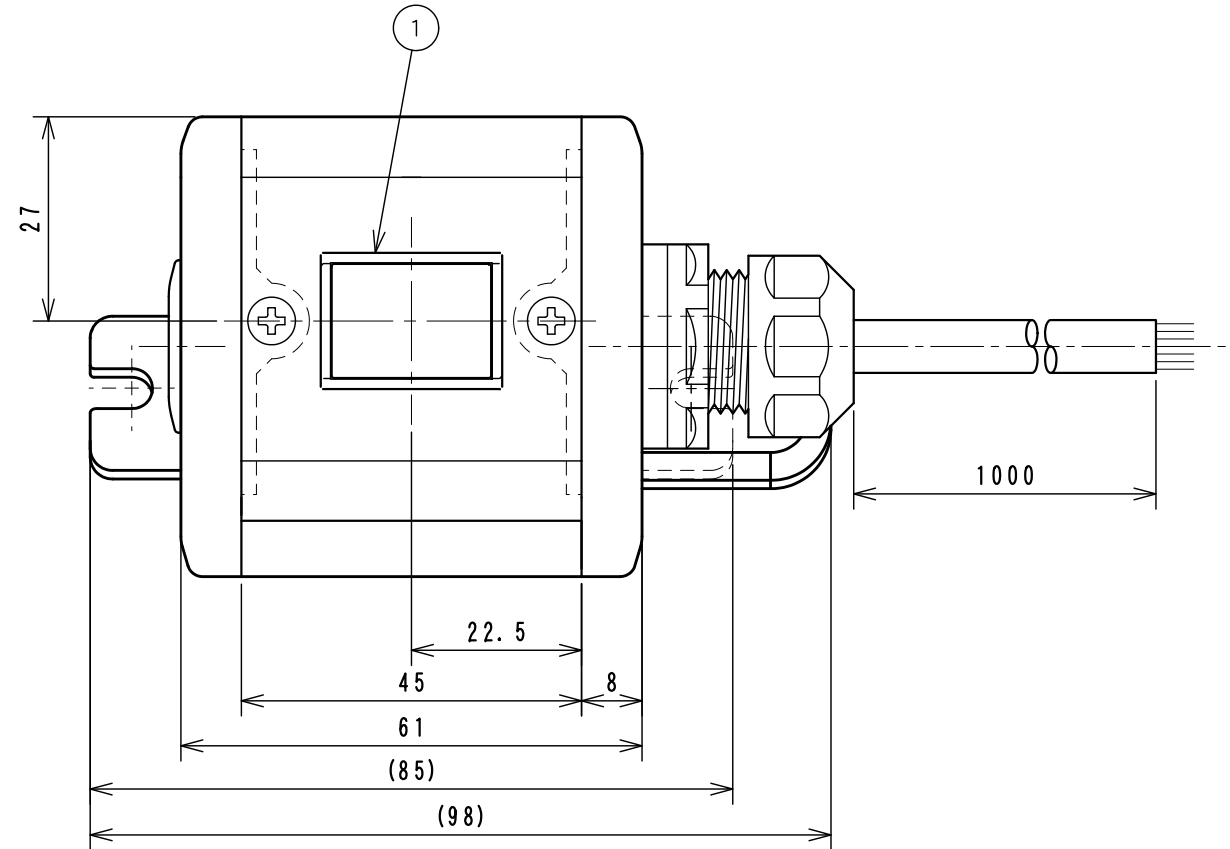
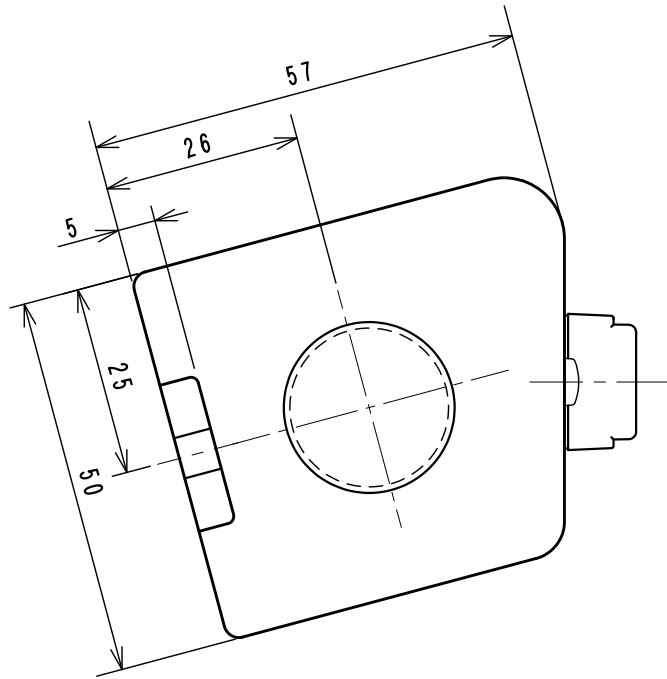


Item No.	Assembly Name
NJC-129	S-5057D Switch 1 I (G) / 1m 1P+SB

※Attached: S-BOX Support Bracket <D4R-001B>

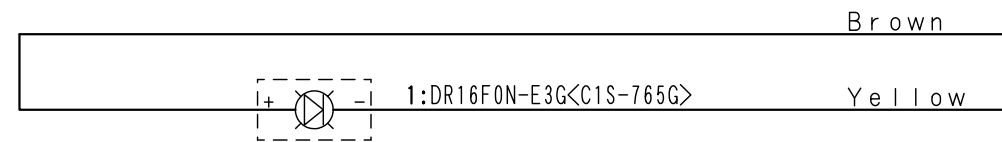
1	C1S-765G Pushbutton Switch(Lighted) DR16F0N-E3G
---	---



<Associated drawings>
WCW000507-01

Applicable Item No.	NJC-119
	NJC-129

No.	Switch Model No.	Item No.
1	DR16F0N-E3G	C1S-765G



Cable processing detail

