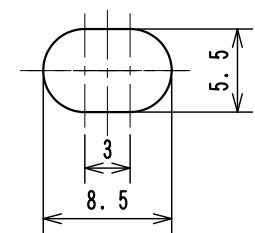
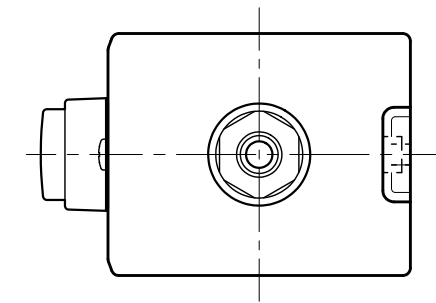
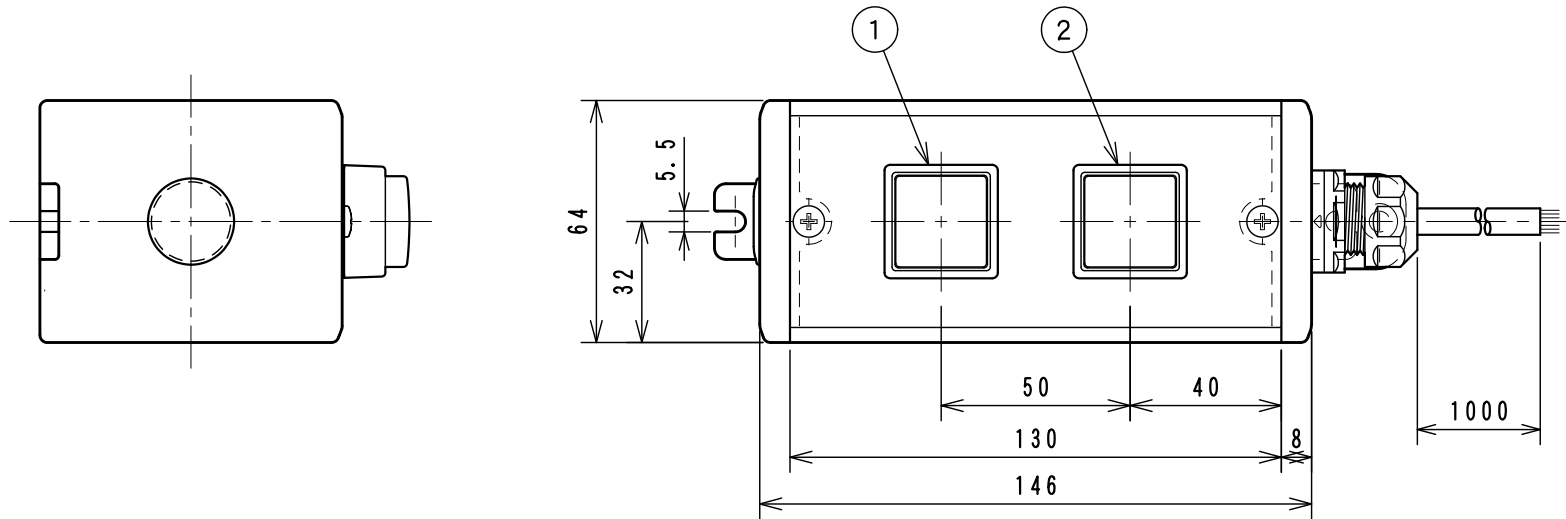


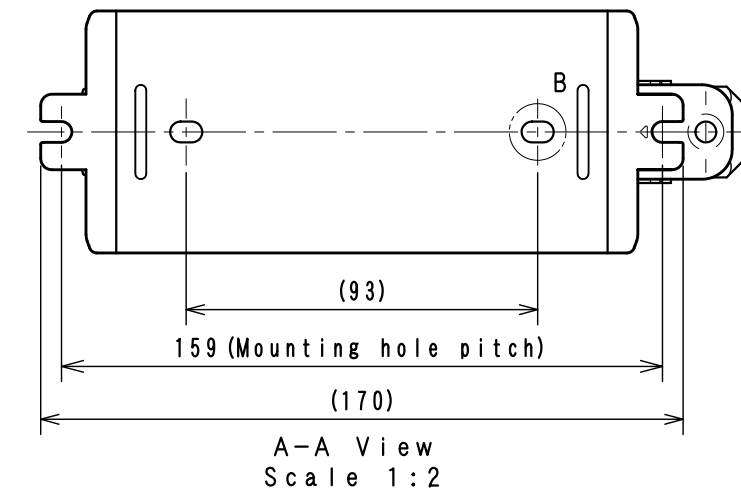
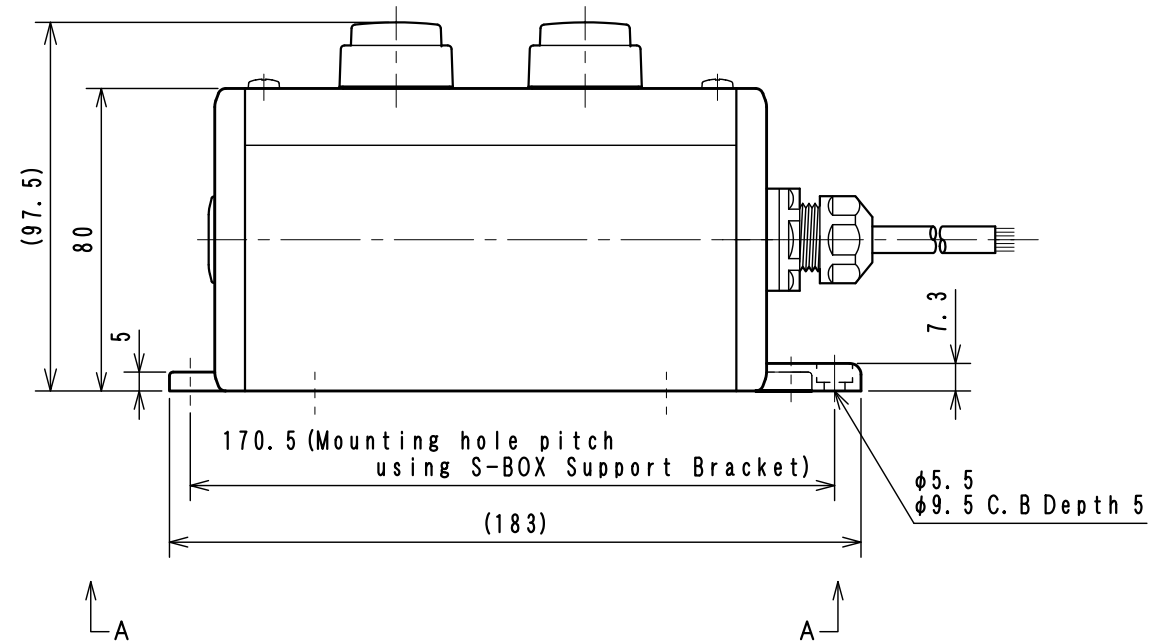
Item No.	Assembly Name
NJC-209	S-6480D Switch 2S (GR) 1m/1P+SB

※Attached: S-BOX Support Bracket <D4R-001B>

1	C1S-246G	Pushbutton Switch (Lighted)	AR22E0M-11E3G
2	C1S-246R	Pushbutton Switch (Lighted)	AR22E0M-11E3R



Detail B
Scale 2:1



A-A View
Scale 1:2

<Associated drawings>
WCW000548-00

Applicable Item No.	NJC-209
	NJC-219
	NJC-229

No.	Switch Model No.	Item No.
1	AR22E0M-11E3G	C1S-246G
2	AR22E0M-11E3R	C1S-246R

Cable processing detail

