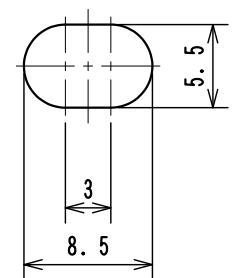
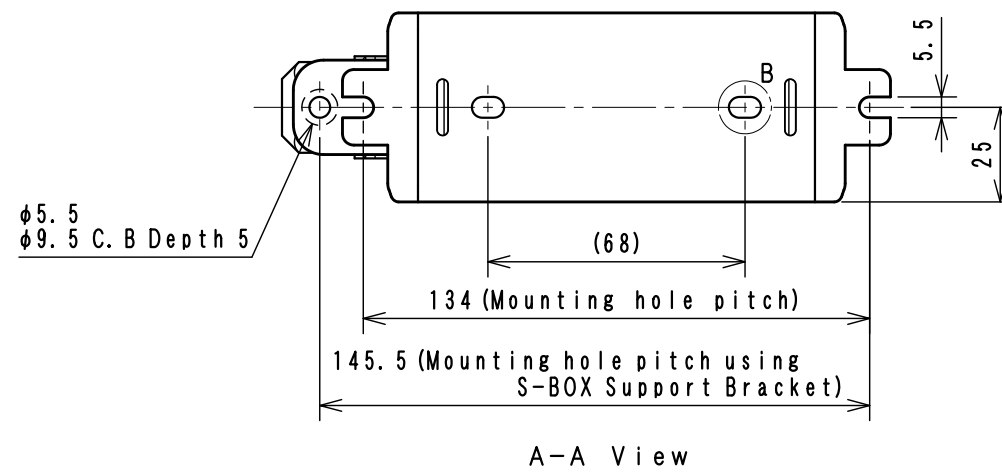
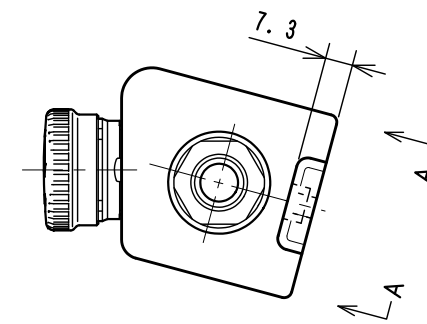
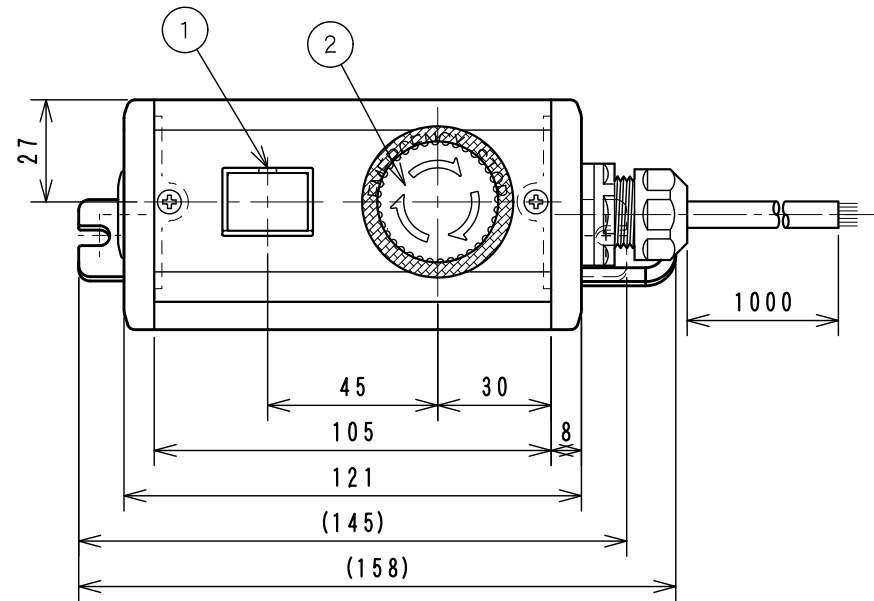
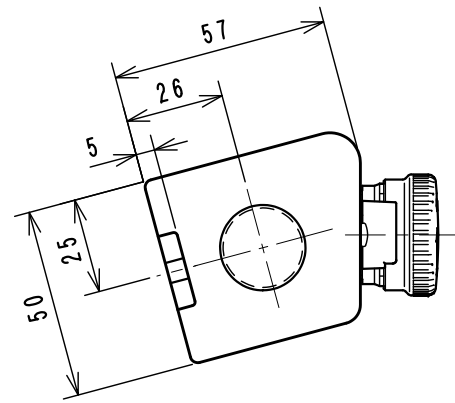


Item No.	Assembly Name
NJC-221	S-5057D Switch 2 (G) 1m/1P+SB

※Attached: S-BOX Support Bracket <D4R-001B>

1	C1S-761G	Pushbutton Switch(Lighted) AR16G0N-C1E3G
2	C1S-757R	Emergency Stop Switch (Lighted) AR16V0L-02E3R

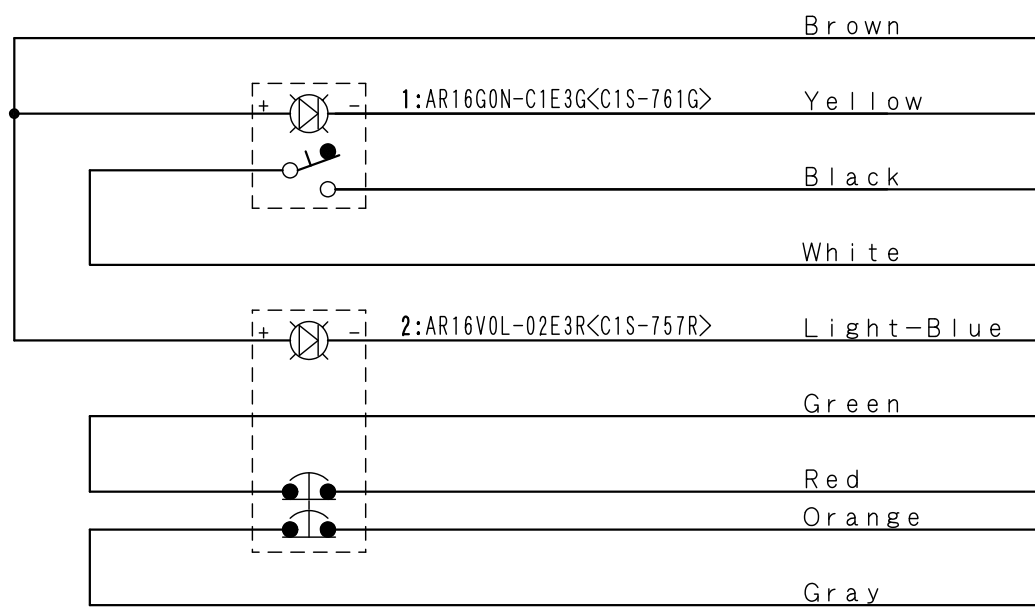


Detail B
Scale 2:1
2 Places

<Associated drawings>
WCW000508-01

Applicable Item No.	NJC-211
	NJC-221

No.	Switch Model No.	Item No.
1	AR16G0N-C1E3G	C1S-761G
2	AR16V0L-02E3R	C1S-757R



Cable processing detail

