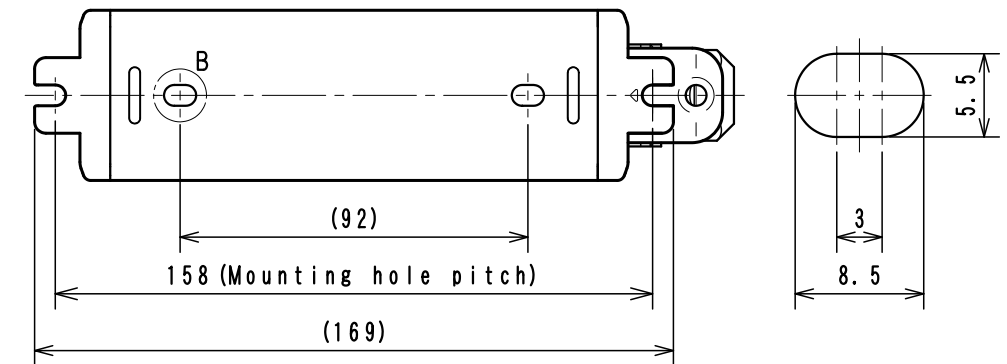
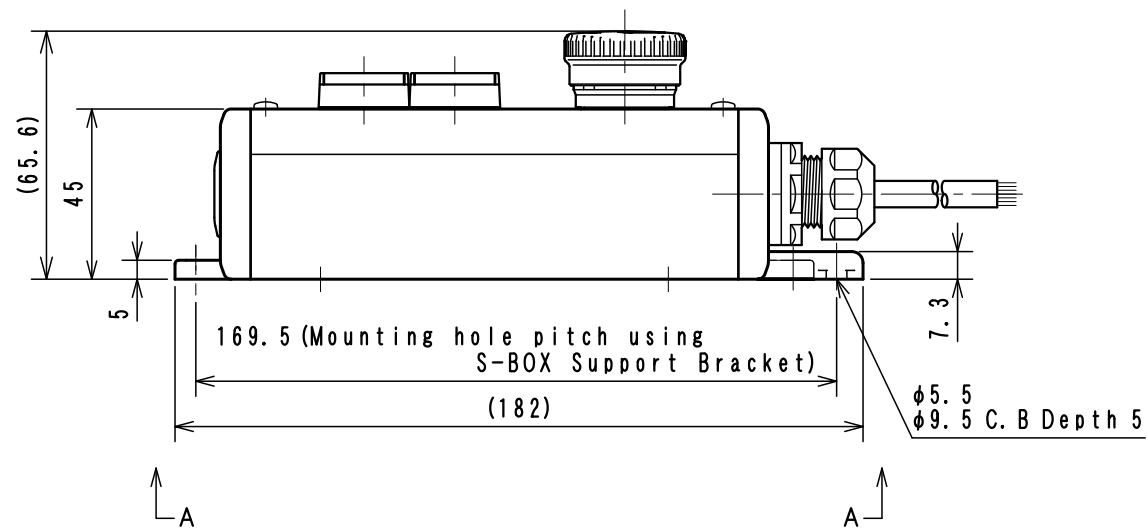
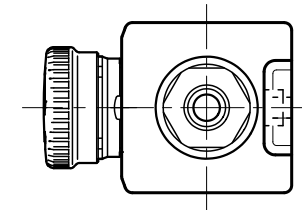
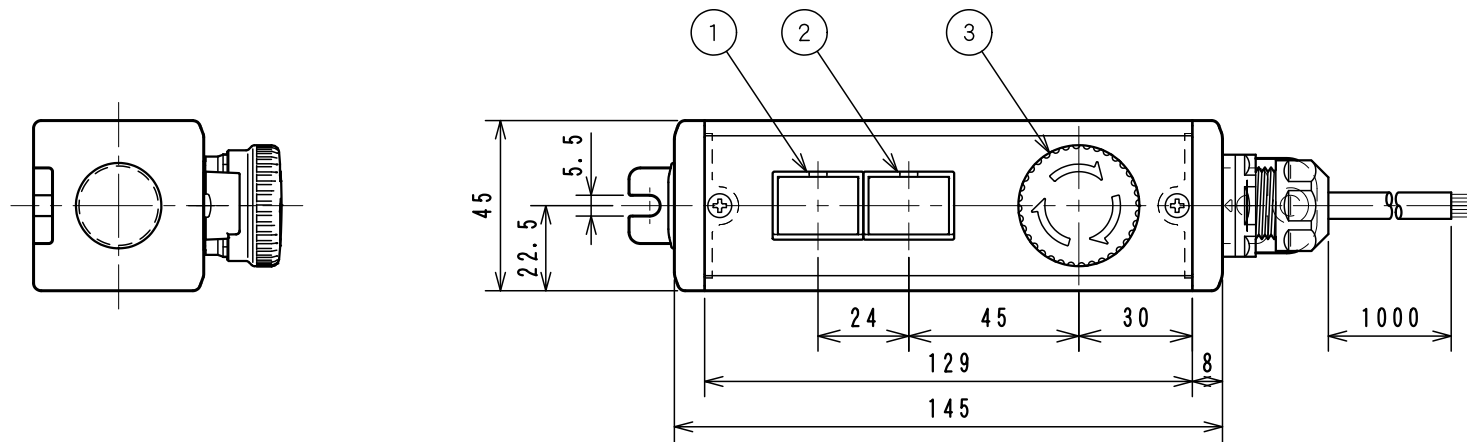


Item No.	Assembly Name
NJC-313	S-4545D Switch3 (GR) 1m/1P+SB

1	C1S-763G	Pushbutton Switch AR16G0T-C1G
2	C1S-763R	Pushbutton Switch AR16G0T-C1R
3	C1S-757R	Emergency Stop Switch (Lighted) AR16V0L-02E3R

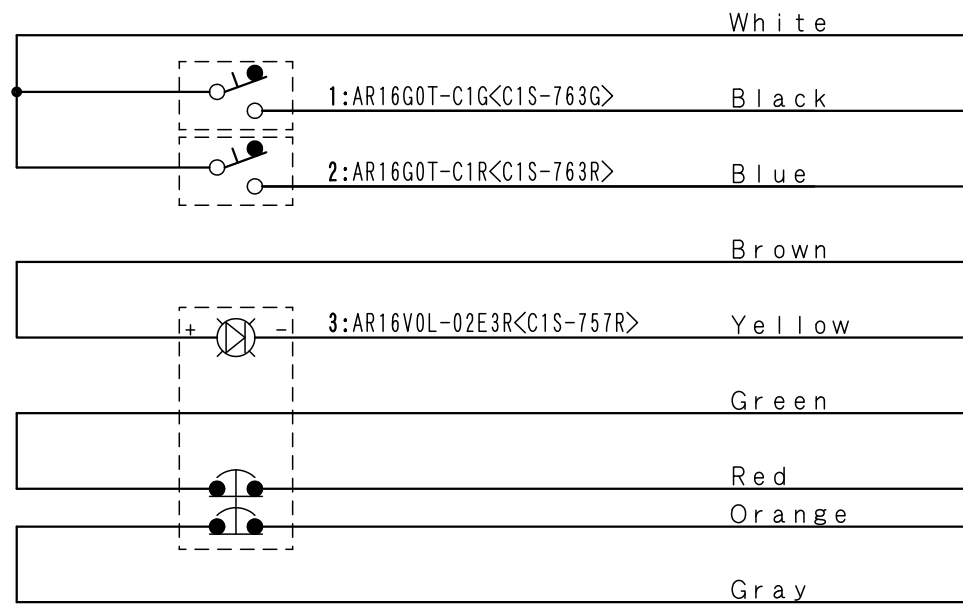


A-A View  
Scale 1:2

Detail B  
Scale 2:1  
2 Places

Applicable Item No.	NJC-313
---------------------	---------

No.	Switch Model No.	Item No.
1	AR16G0T-C1G	C1S-763G
2	AR16G0T-C1R	C1S-763R
3	AR16VOL-02E3R	C1S-757R



Cable processing detail

