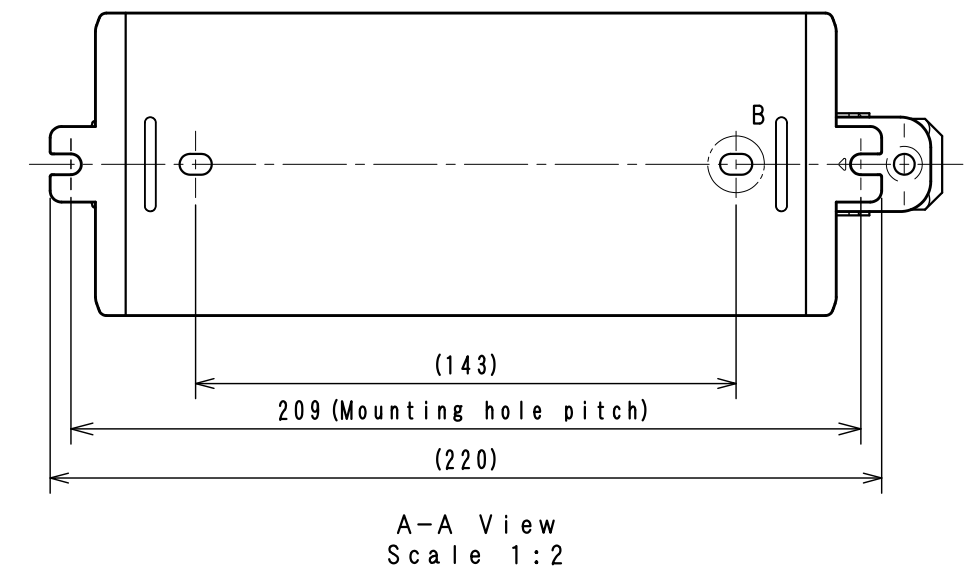
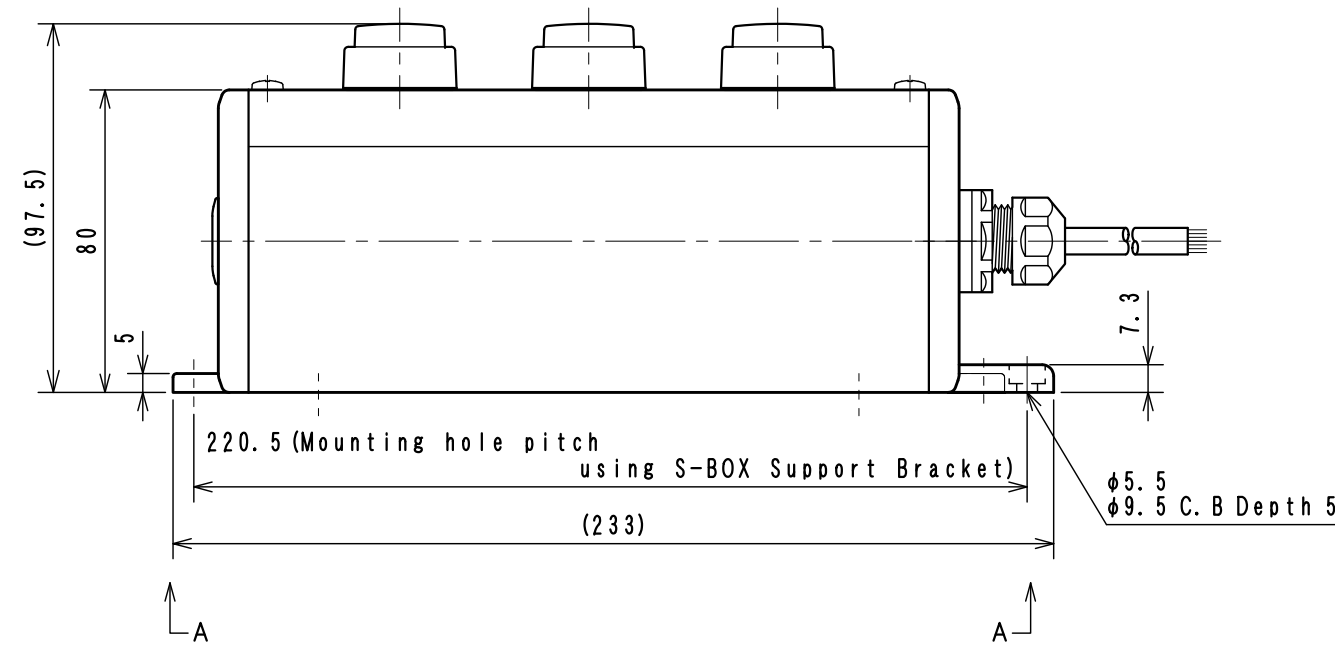
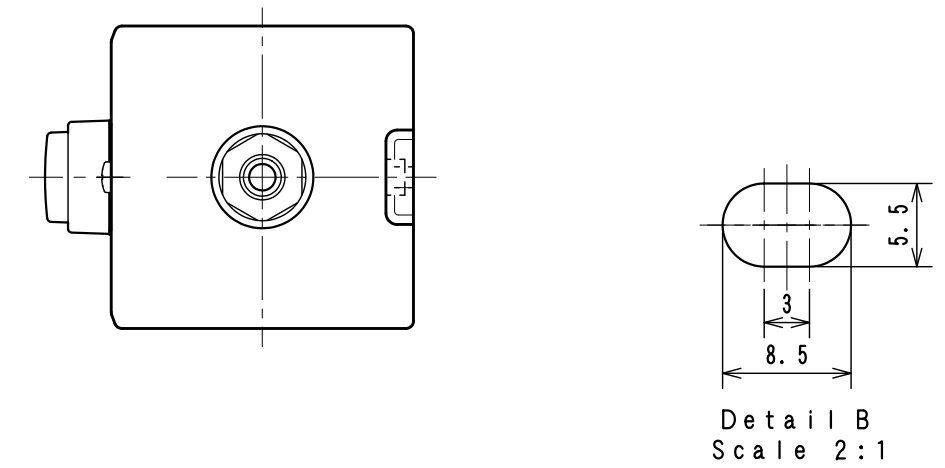
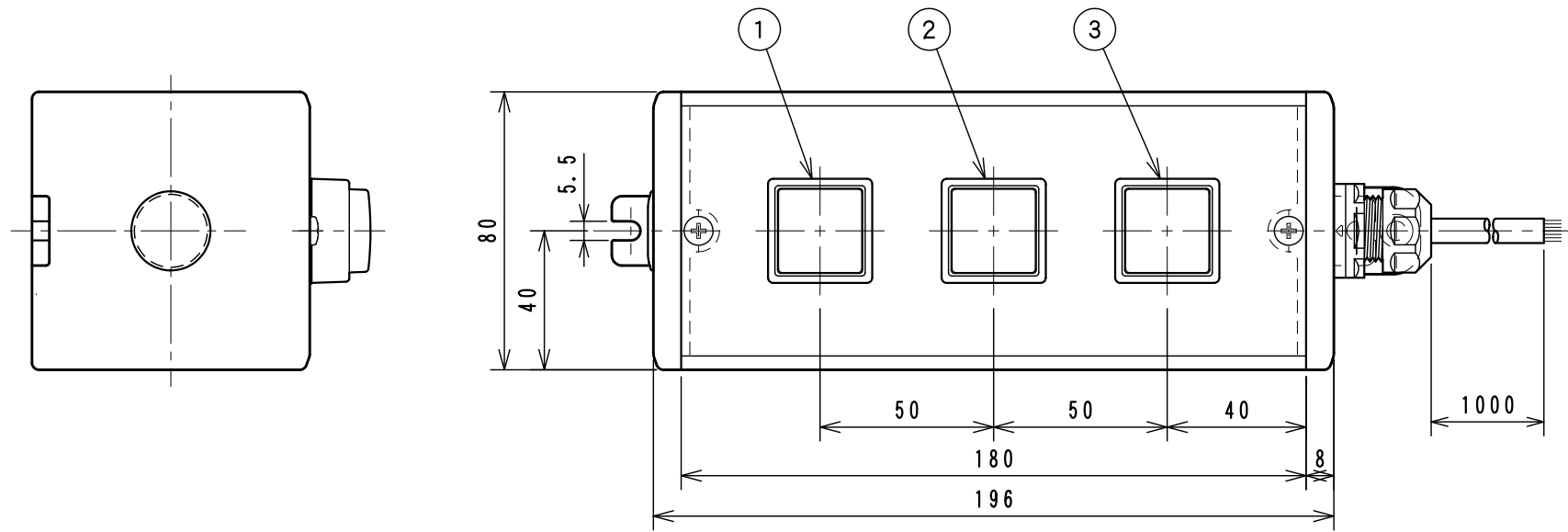


| | |
|----------|------------------------------------|
| Item No. | Assembly Name |
| NJC-31D | S-8080D Switch 3S (GRY) / 1m 1P+SB |

※Attached: S-BOX Support Bracket <D4R-001B>

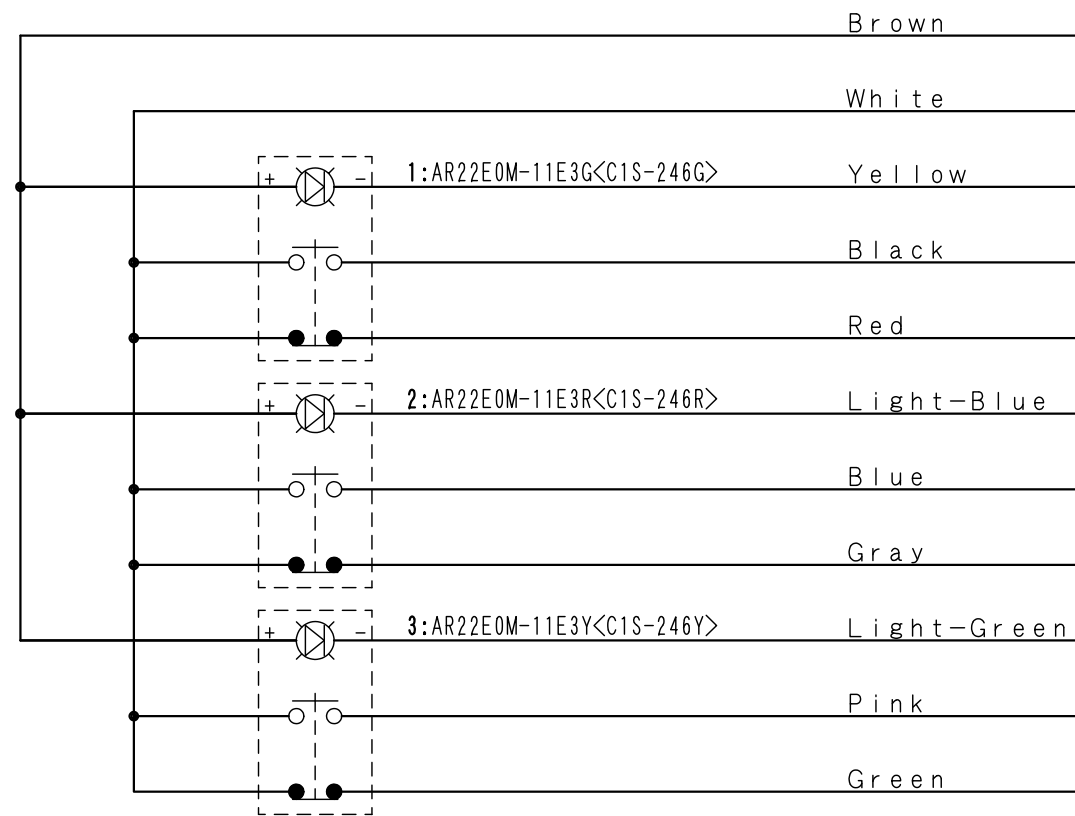
| | | | |
|---|----------|-----------------------------|---------------|
| 1 | C1S-246G | Pushbutton Switch (Lighted) | AR22E0M-11E3G |
| 2 | C1S-246R | Pushbutton Switch (Lighted) | AR22E0M-11E3R |
| 3 | C1S-246Y | Pushbutton Switch (Lighted) | AR22E0M-11E3Y |



<Associated drawings>
WCW000556-00

| | |
|---------------------|---------|
| Applicable Item No. | NJC-30D |
| | NJC-31D |
| | NJC-32D |

| No. | Switch Model No. | Item No. |
|-----|------------------|----------|
| 1 | AR22E0M-11E3G | C1S-246G |
| 2 | AR22E0M-11E3R | C1S-246R |
| 3 | AR22E0M-11E3Y | C1S-246Y |



Cable processing detail

