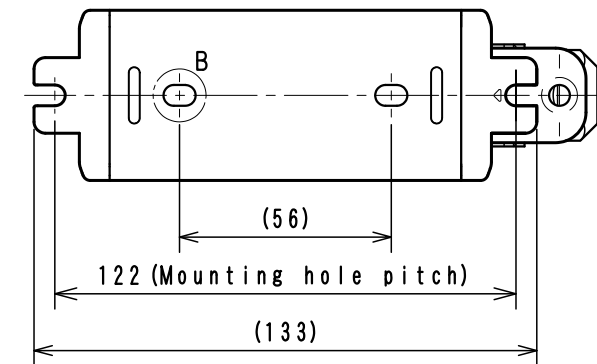
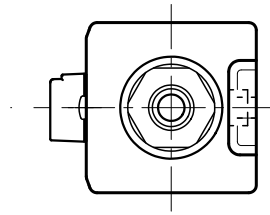
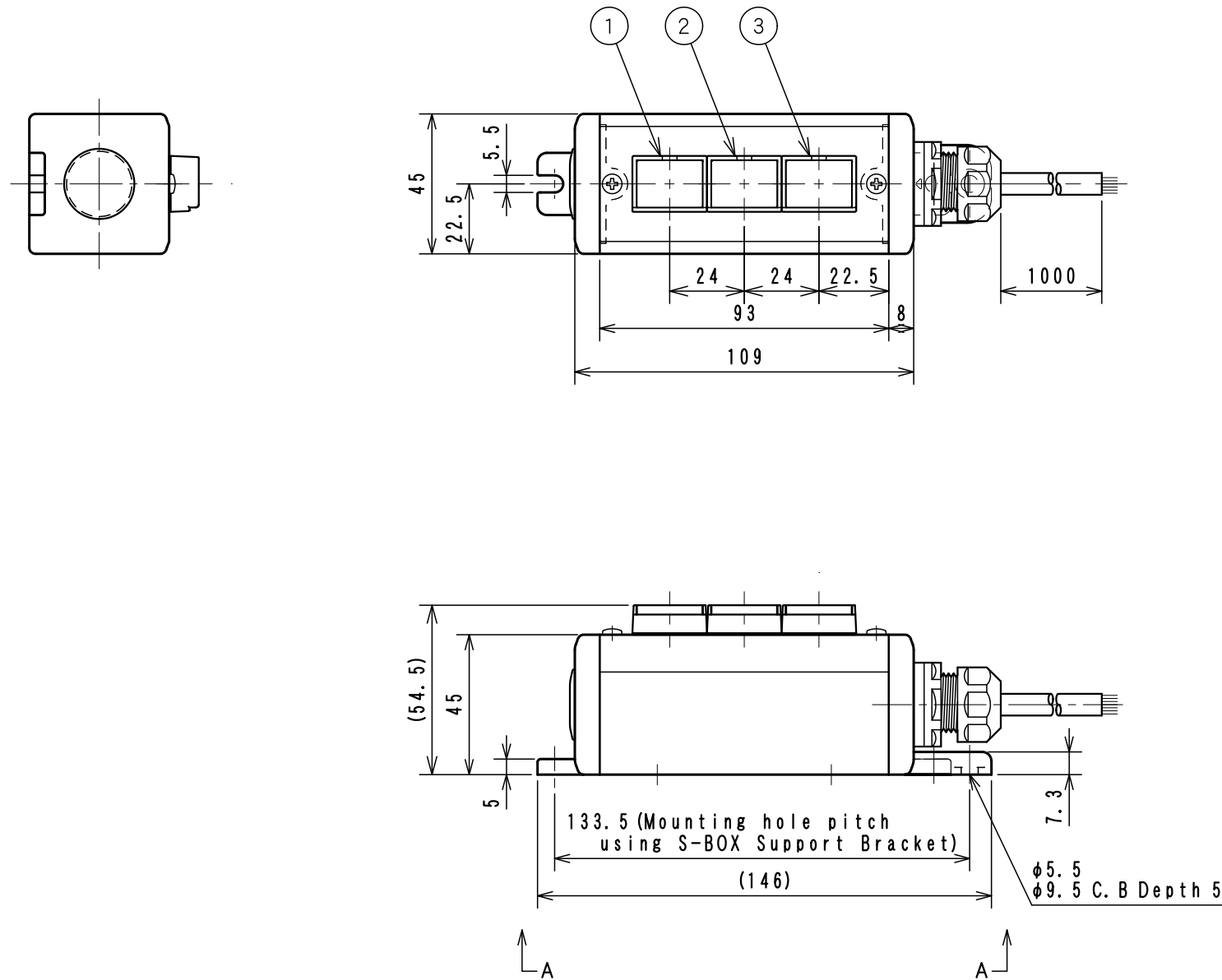
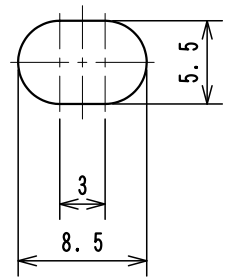


Item No.	Assembly Name
NLC-316	S-4545D Switch3S (GRY) 1m/1P+SB

1	C1S-763G	Pushbutton Switch AR16G0T-C1G
2	C1S-763R	Pushbutton Switch AR16G0T-C1R
3	C1S-763Y	Pushbutton Switch AR16G0T-C1Y



A-A View
Scale 1:2



Detail B
Scale 2:1
2 Places

Applicable Item No.	NLC-316
---------------------	---------

No.	Switch Model No.	Item No.
1	AR16G0T-C1G	C1S-763G
2	AR16G0T-C1R	C1S-763R
3	AR16G0T-C1Y	C1S-763Y

Cable processing detail

