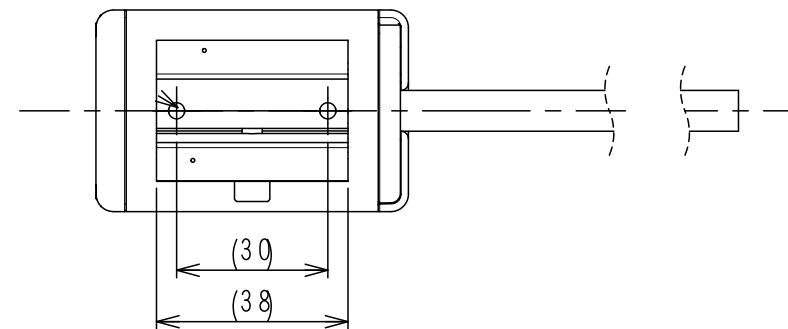
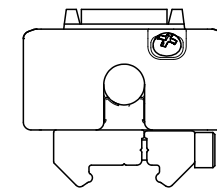
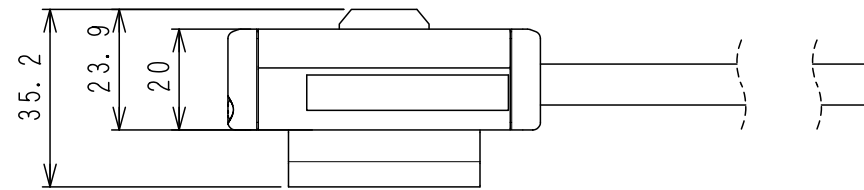
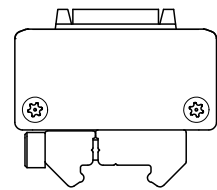
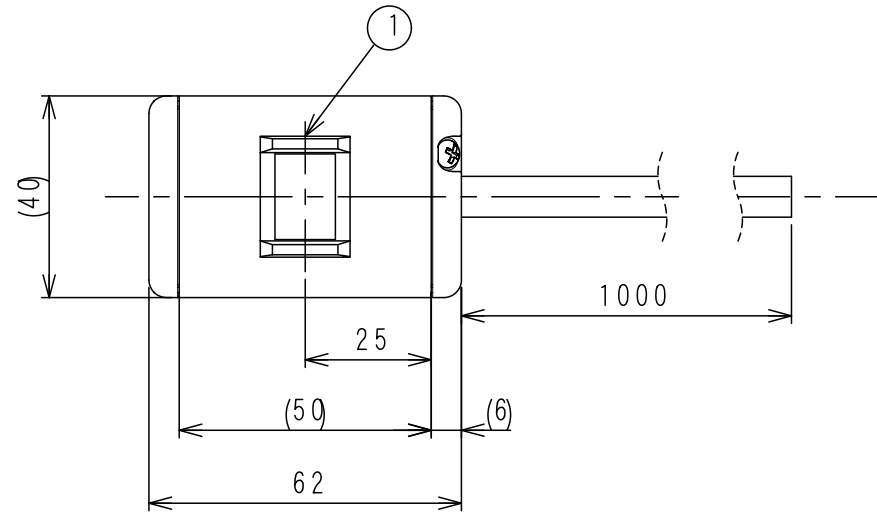


NVC-102G

1	C1S-402G	Illuminated Push button switch UB-15H1NBKG4M-FNS
---	----------	--

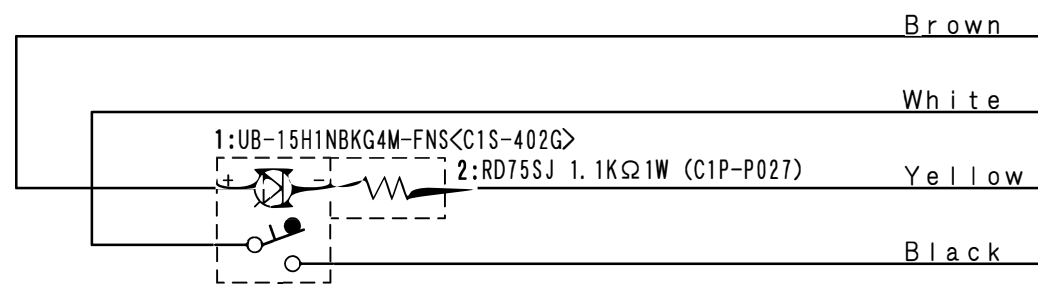


WCW000905-**

2:3
SCALE

Applicable Item No.	NVC-102G
---------------------	----------

No.	Switch Model No.	Item No.
1	UB-15H1NBKG4M-FNS	C1S-402G
2	RD75SJ 1.1KΩ 1W	C1P-P027



Cable processing detail

