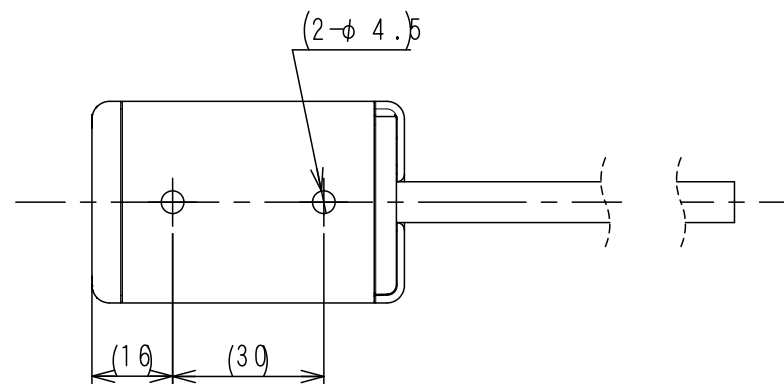
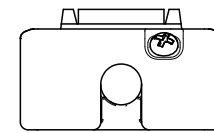
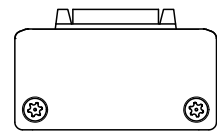
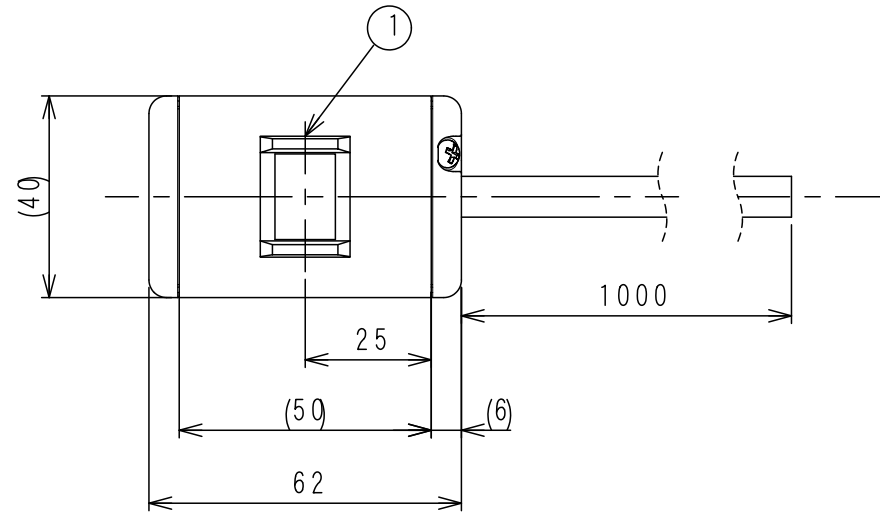


NVC-103

1 C1S-402R Illuminated Push button switch UB-15H1NBKG4R-GNS

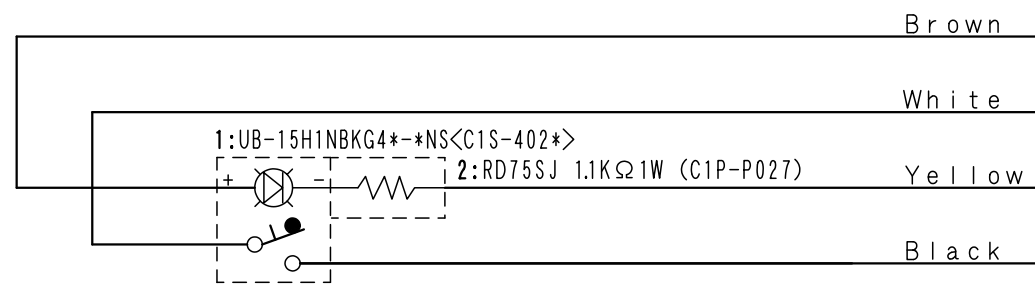


<Associated drawings>
WCW000905-**

2:3
SCALE

Applicable Item No.	NVC-102
	NVC-103

No.	Switch Model No.	Item No.
1	UB-15H1NBKG4*-*NS	C1S-402*
2	RD75SJ 1.1KΩ 1W	C1P-P027



Cable processing detail

