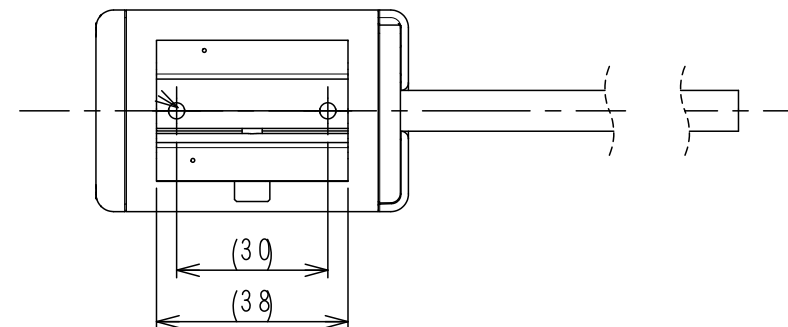
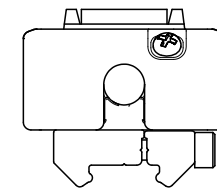
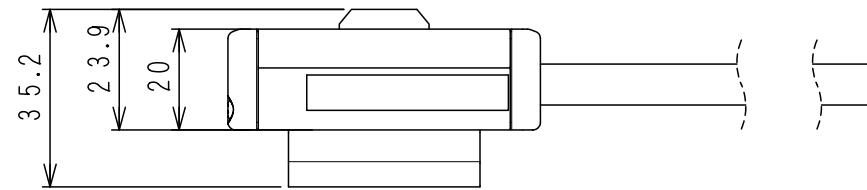
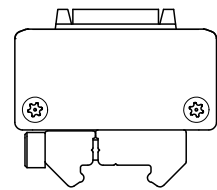
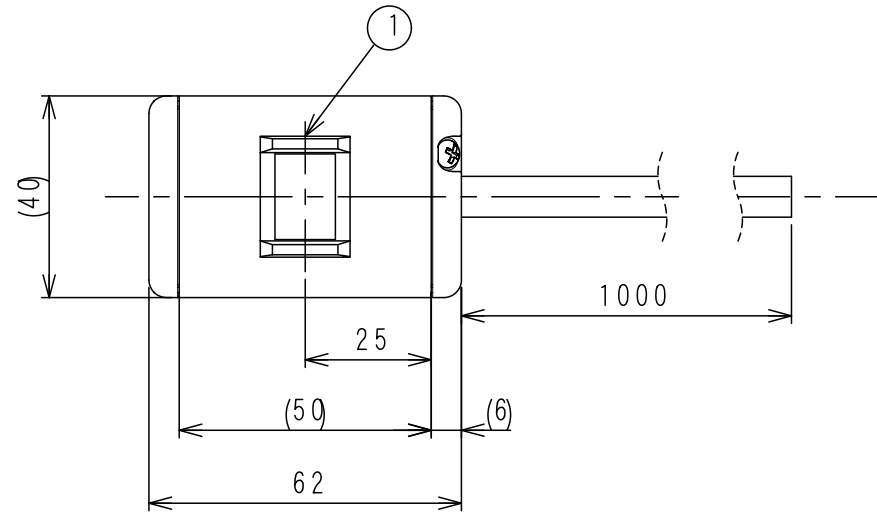


NVC-103G

1 C1S-402R Illuminated Push button switch UB-15H1NBKG4R-GNS

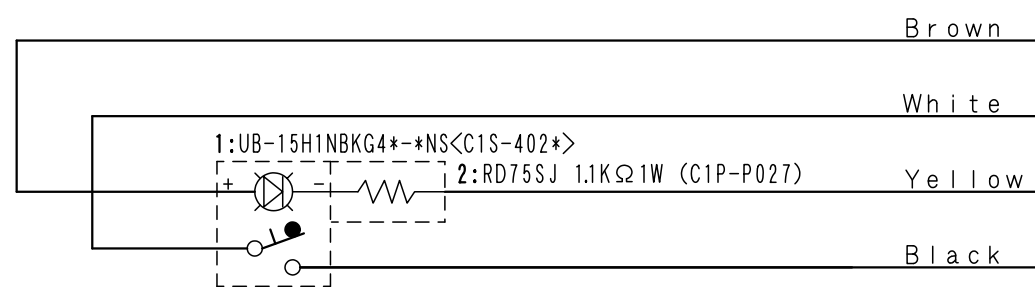


WCW000905-**

2:3
SCALE

| | |
|---------------------|---------|
| Applicable Item No. | NVC-102 |
| | NVC-103 |

| No. | Switch Model No. | Item No. |
|-----|-------------------|----------|
| 1 | UB-15H1NBKG4*-*NS | C1S-402* |
| 2 | RD75SJ 1.1KΩ 1W | C1P-P027 |



Cable processing detail

