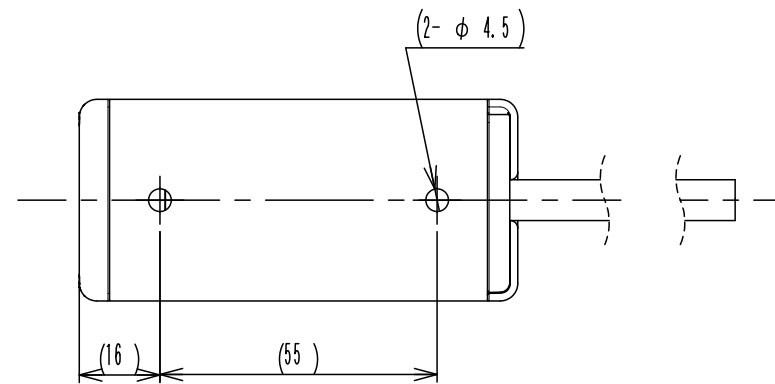
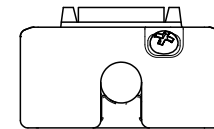
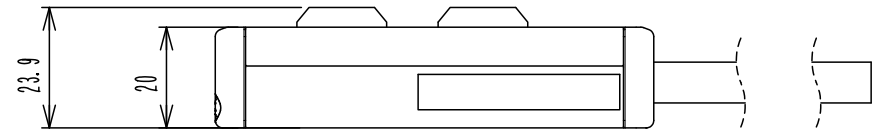
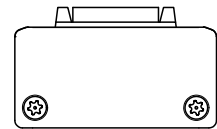


1	C1S-402R	Illuminated Push button switch UB-15H1NBKG4R-GNS
2	C1S-402G	Illuminated Push button switch UB-15H1NBKG4M-FNS

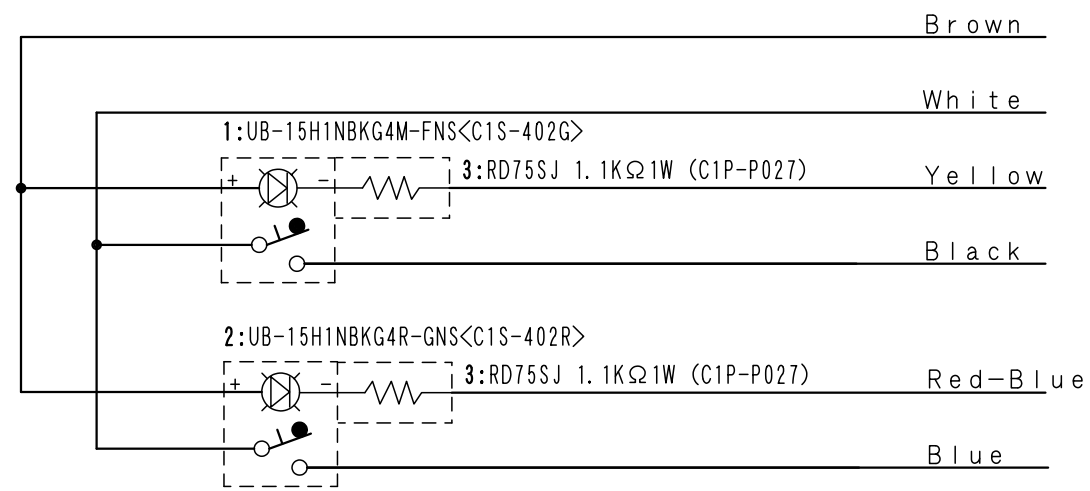


<Associated drawings>  
WCW000907-\*\*

2 : 3  
SCALE

Applicable Item No.	NVC-202
---------------------	---------

No.	Switch Model No.	Item No.
1	UB-15H1NBKG4M-FNS	C1S-402G
2	UB-15H1NBKG4R-GNS	C1S-402R
3	RD75SJ 1.1KΩ 1W	C1P-P027



Cable processing detail

