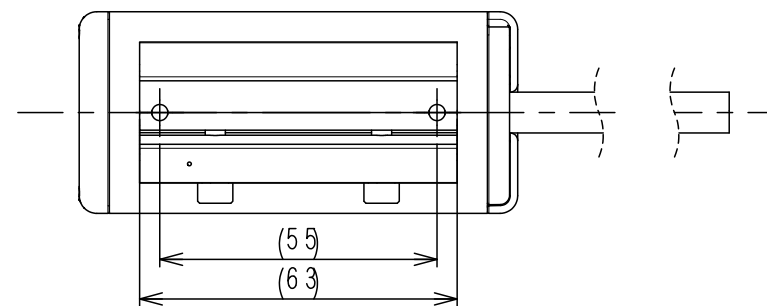
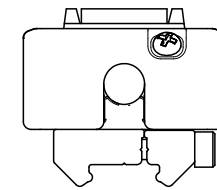
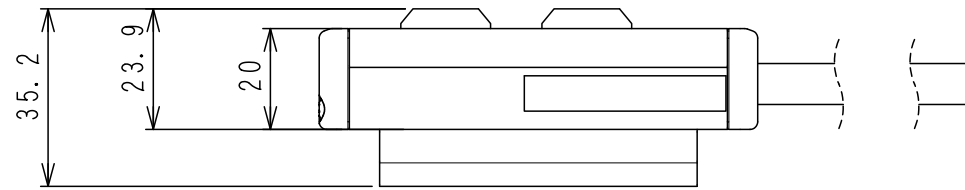
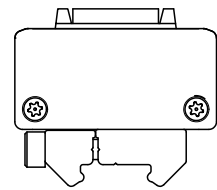
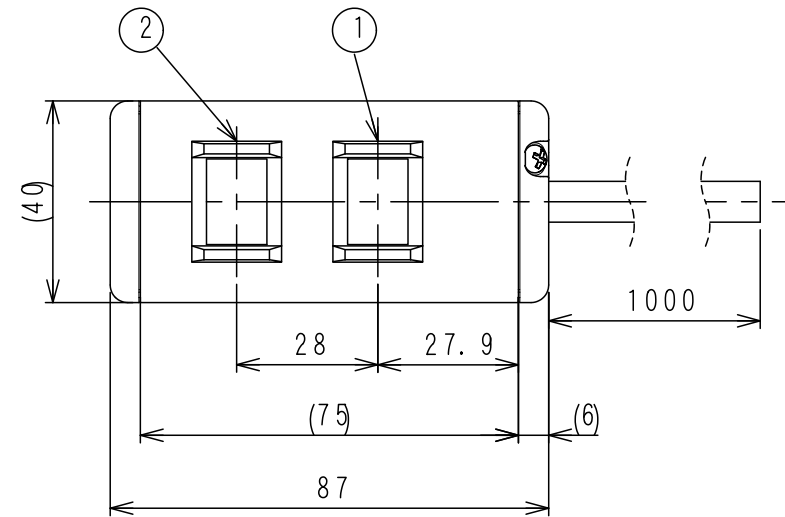


NVC-202G

| | | |
|---|----------|--|
| 1 | C1S-402R | Illuminated Push button switch UB-15H1NBKG4R-GNS |
| 2 | C1S-402G | Illuminated Push button switch UB-15H1NBKG4M-FNS |

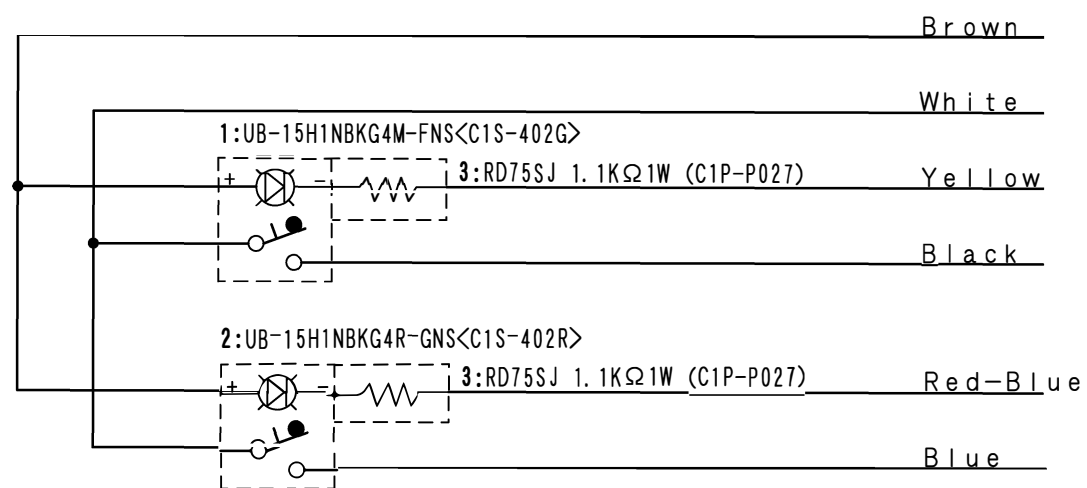


WCW000907-**

2:3
SCALE

| | |
|---------------------|----------|
| Applicable Item No. | NVC-202G |
|---------------------|----------|

| No. | Switch Model No. | Item No. |
|-----|-------------------|----------|
| 1 | UB-15H1NBKG4M-FNS | C1S-402G |
| 2 | UB-15H1NBKG4R-GNS | C1S-402R |
| 3 | RD75SJ 1.1KΩ 1W | C1P-P027 |



Cable processing detail

