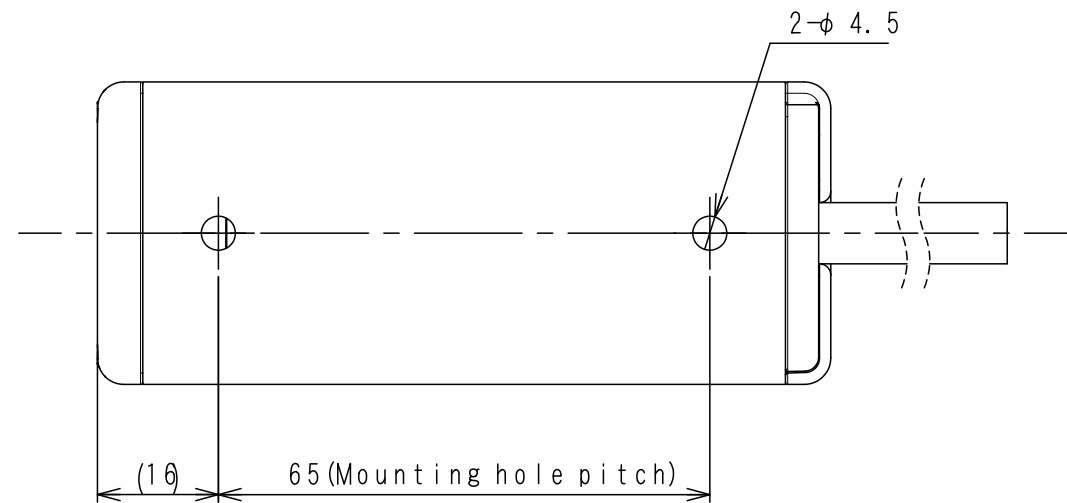
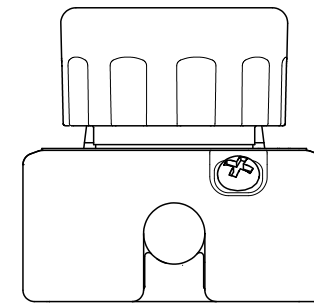
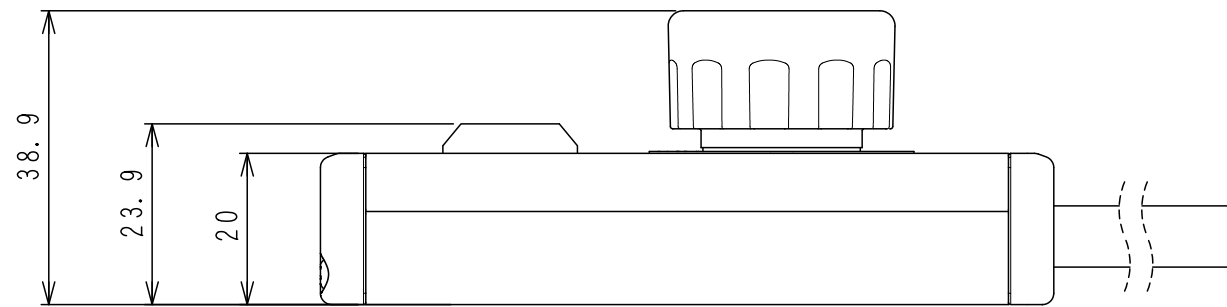
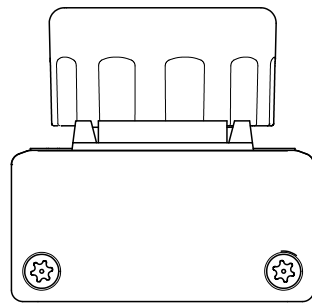
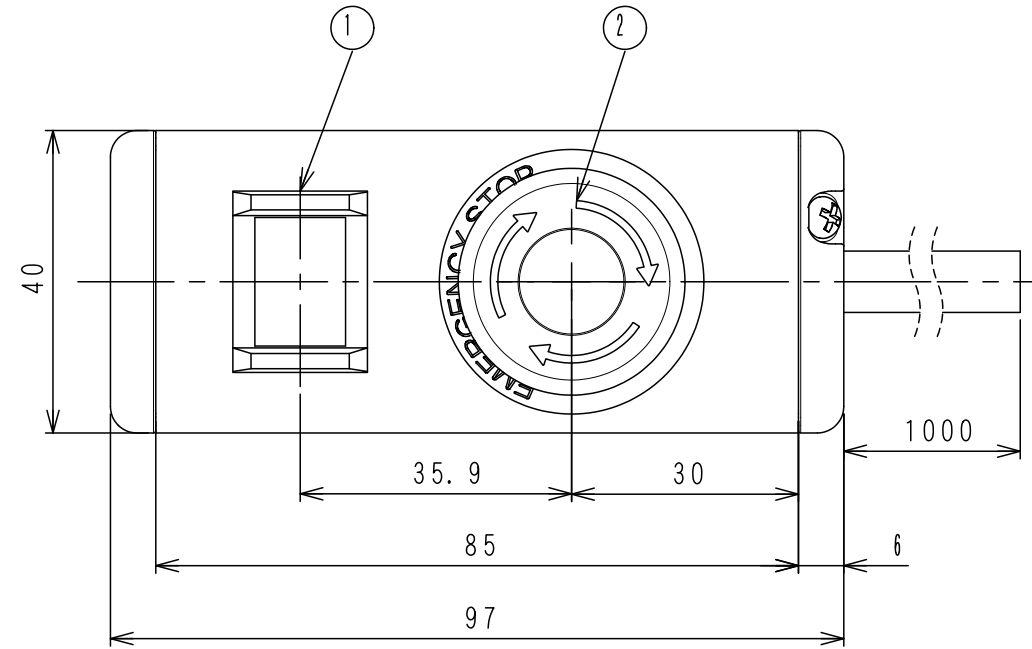


Item No.	Assembly Name
NXC-201	S-4020E-2 (G-EMS) 1m/Normal

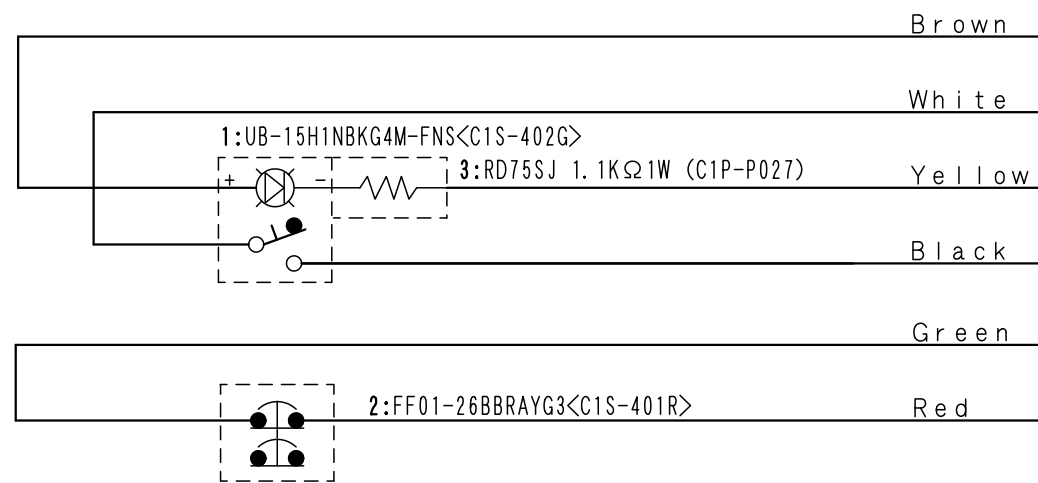
1	C1S-402G	Illuminated Push button switch UB-15H1NBKG4M-FNS
2	C1S-401R	Emergency stop switch FF01-26BBRAYG3



<Associated drawings>
WCW000906-**

Applicable Item No.	NXC-201
---------------------	---------

No.	Switch Model No.	Item No.
1	UB-15H1NBKG4M-FNS	C1S-402G
2	FF01-26BBRAYG3	C1S-401R
3	RD75SJ 1.1KΩ 1W	C1P-P027



Cable processing detail

