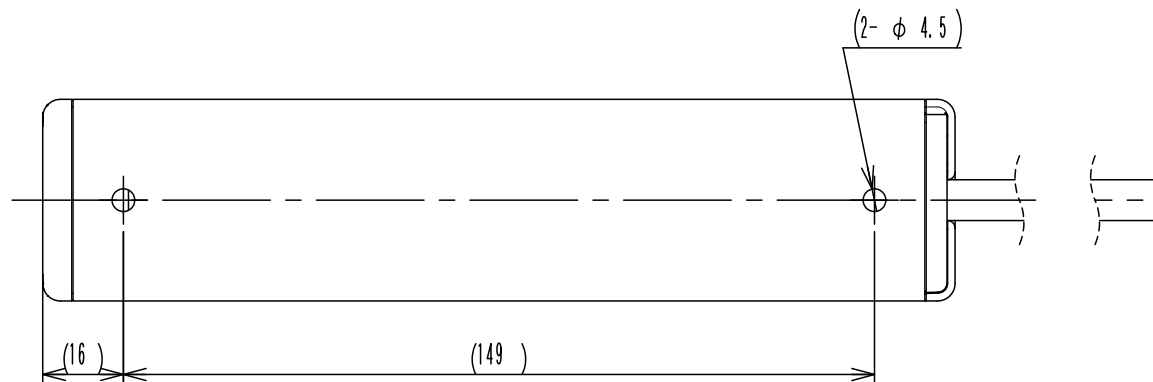
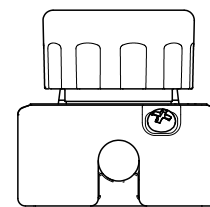
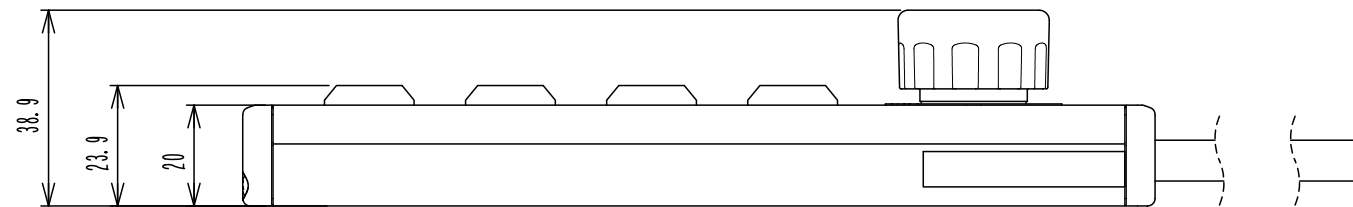
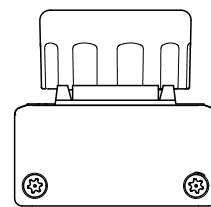
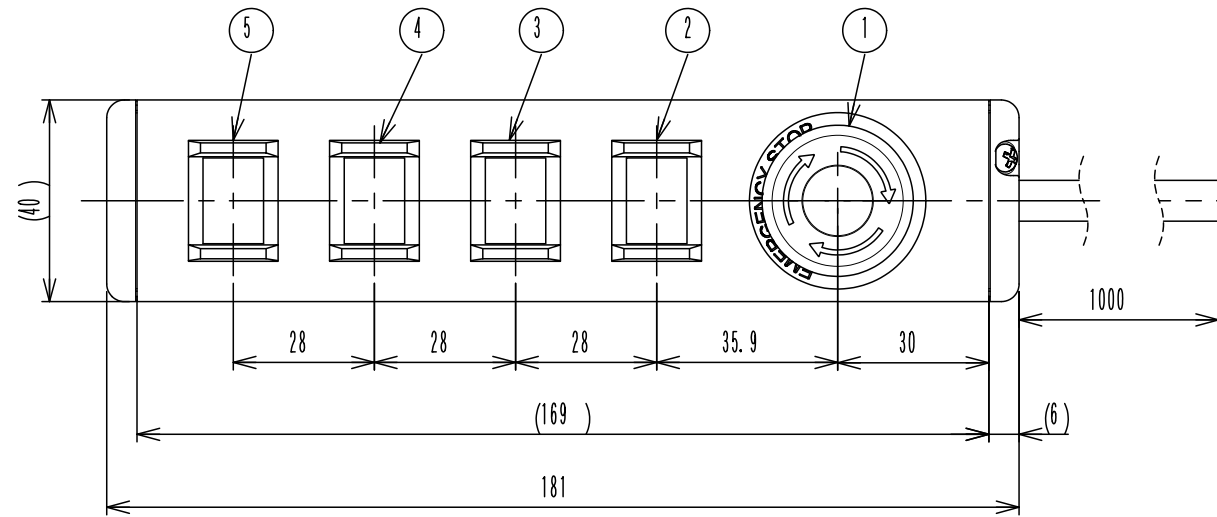


NXC-501

1	C1S-401R	Emergency stop switch FF01-26BBRAYG3
2	C1S-402Y	Illuminated Push button switch UB-15H1NBKG4Y-HNS
3	C1S-402R	Illuminated Push button switch UB-15H1NBKG4R-GNS
4	C1S-402G	Illuminated Push button switch UB-15H1NBKG4M-FNS
5	C1S-402G	Illuminated Push button switch UB-15H1NBKG4M-FNS

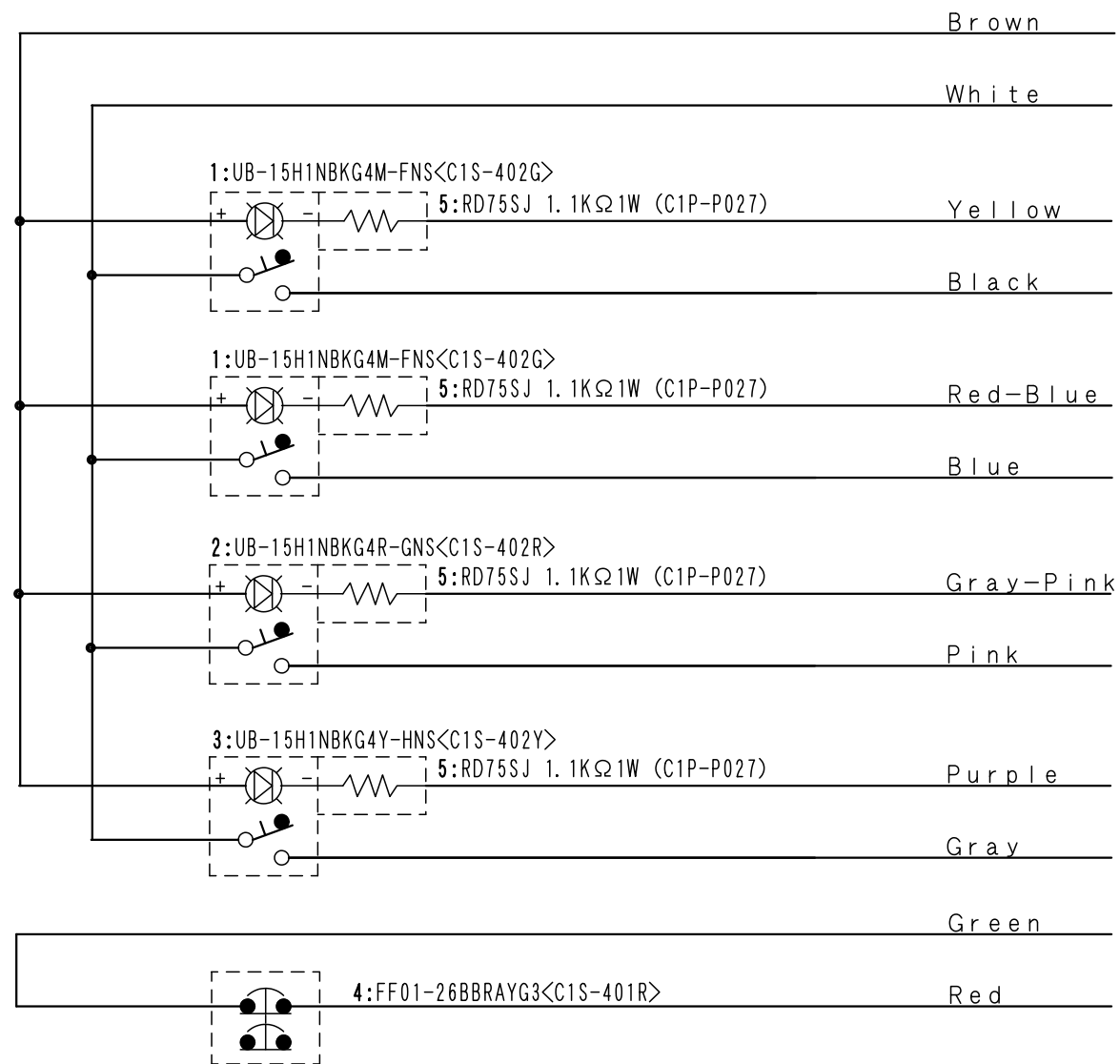


<Associated drawings>
WCW000910-**

2 : 3
SCALE

Applicable Item No.	NXC-501
---------------------	---------

No.	Switch Model No.	Item No.
1	UB-15H1NBKG4M-FNS	C1S-402G
2	UB-15H1NBKG4R-GNS	C1S-402R
3	UB-15H1NBKG4Y-HNS	C1S-402Y
4	FF01-26BBRAYG3	C1S-401R
5	RD75SJ 1.1KΩ 1W	C1P-P027



Cable processing detail

