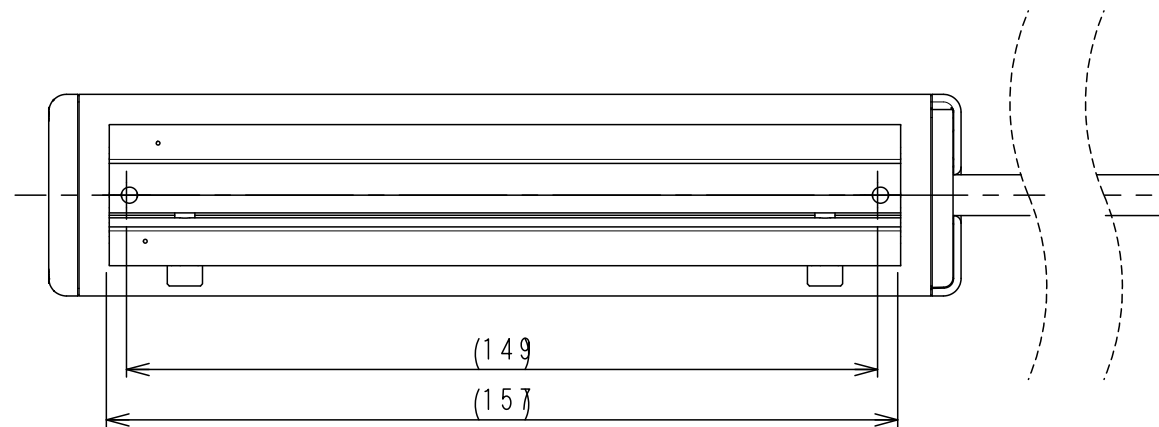
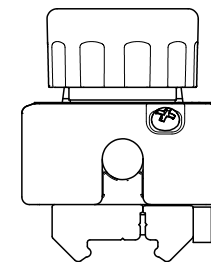
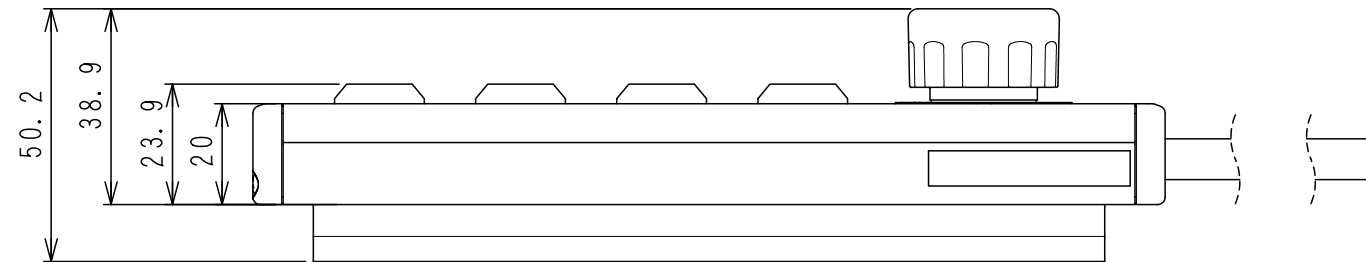
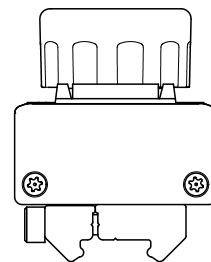
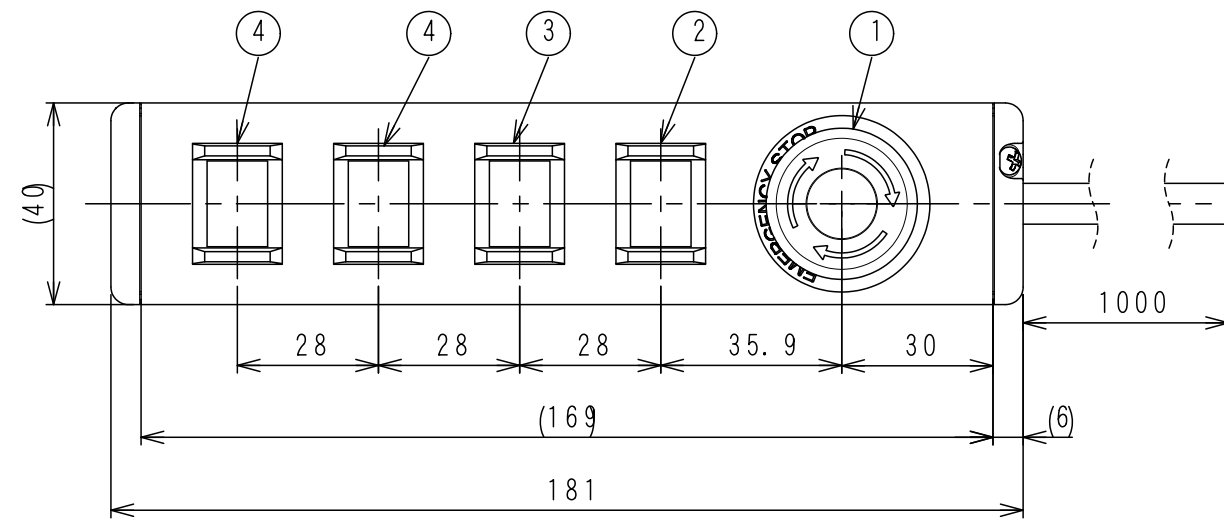


NXC-501G

1	C1S-401R	Emergency stop switch FF01-26BBRAYG3
2	C1S-402Y	Illuminated Push button switch UB-15H1NBKG4Y-HNS
3	C1S-402R	Illuminated Push button switch UB-15H1NBKG4R-GNS
4	C1S-402G	Illuminated Push button switch UB-15H1NBKG4M-FNS

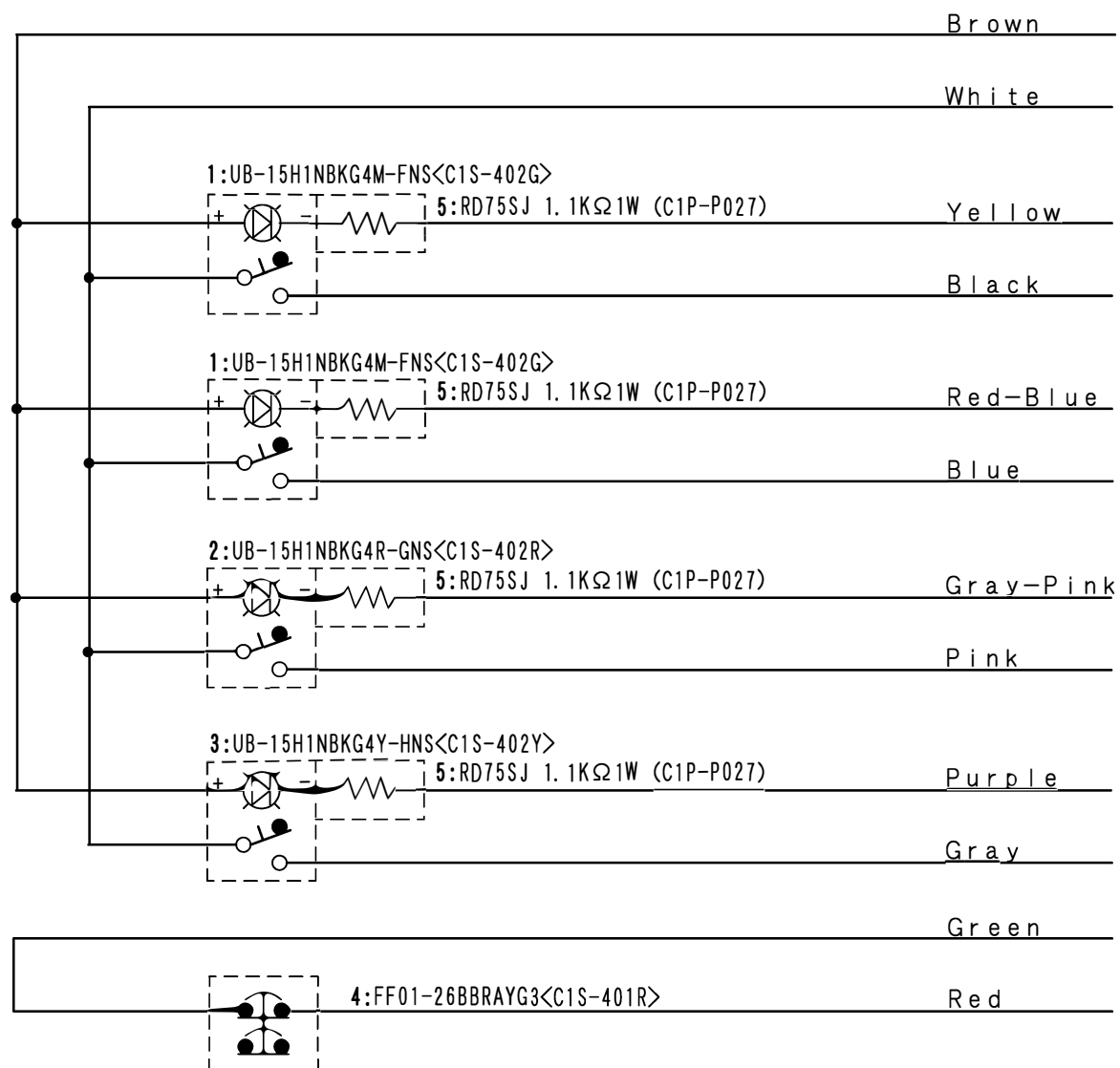


WCW000910-**

2:3
SCALE

Applicable Item No.	NXC-501G
---------------------	----------

No.	Switch Model No.	Item No.
1	UB-15H1NBKG4M-FNS	C1S-402G
2	UB-15H1NBKG4R-GNS	C1S-402R
3	UB-15H1NBKG4Y-HNS	C1S-402Y
4	FF01-26BBRAYG3	C1S-401R
5	RD75SJ 1.1KΩ1W	C1P-P027



Cable processing detail

