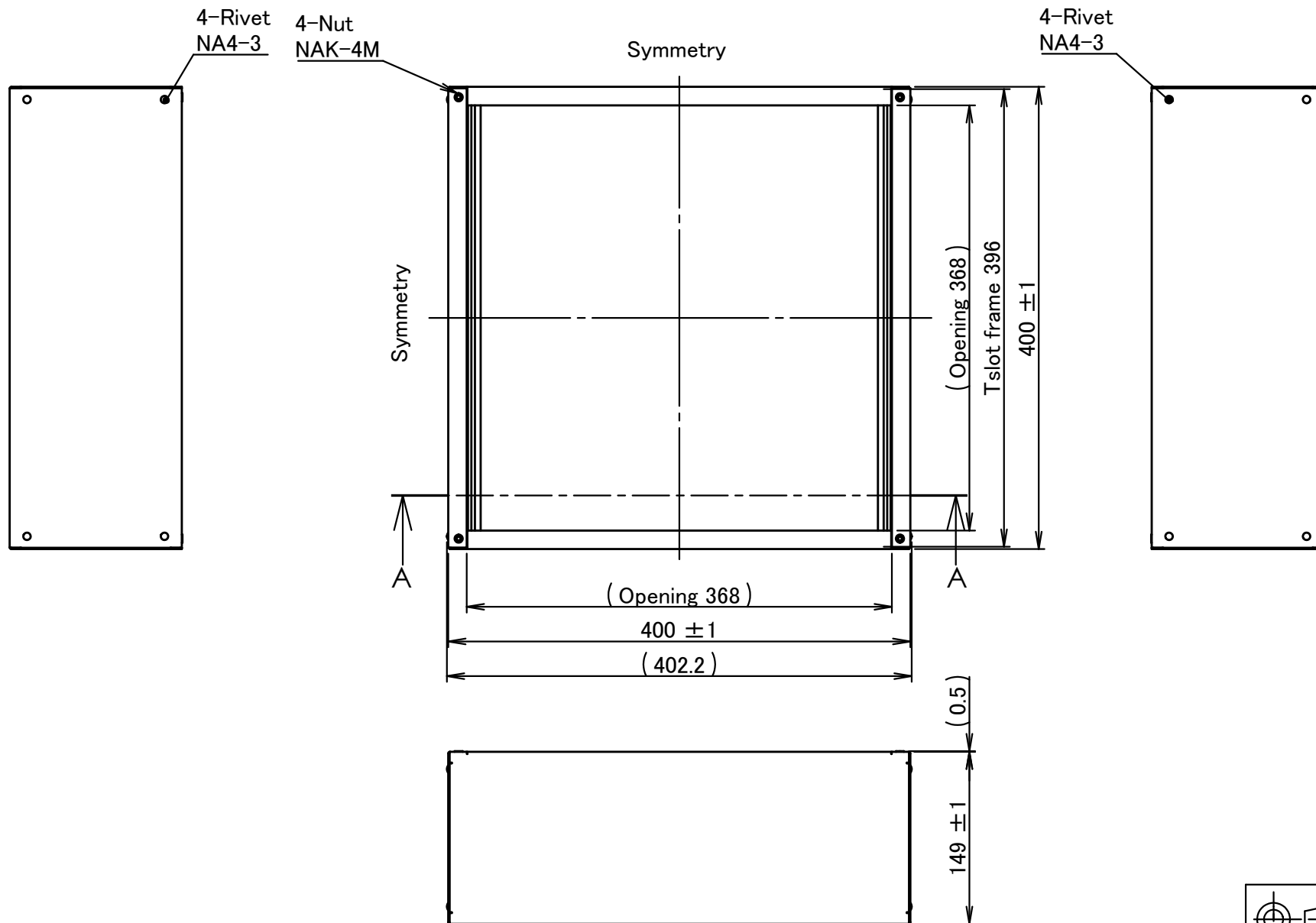
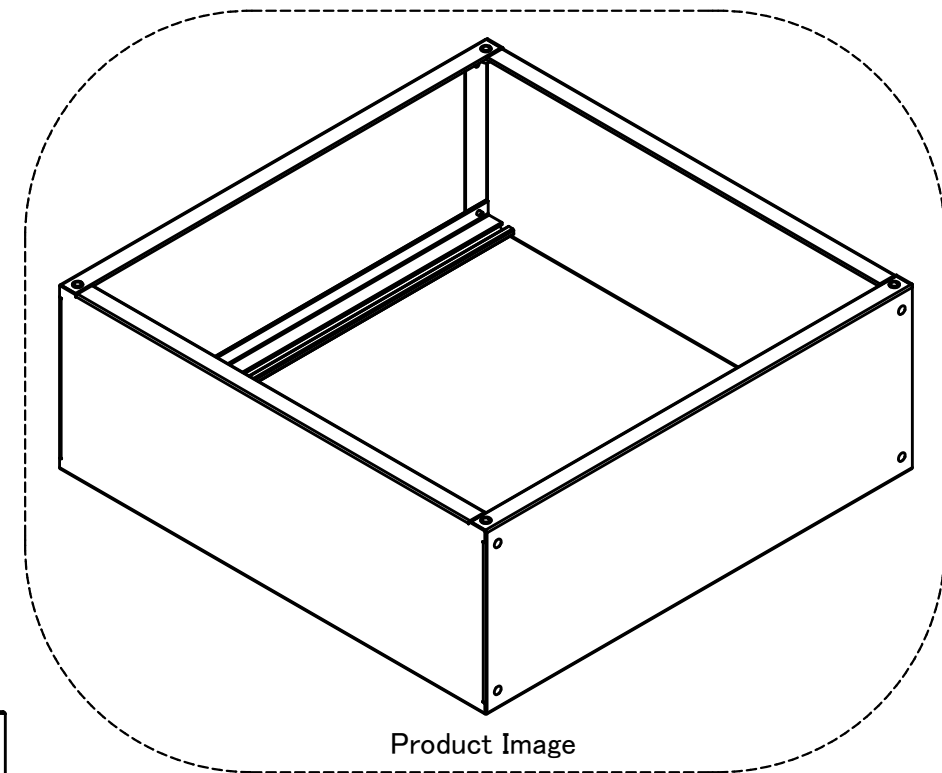
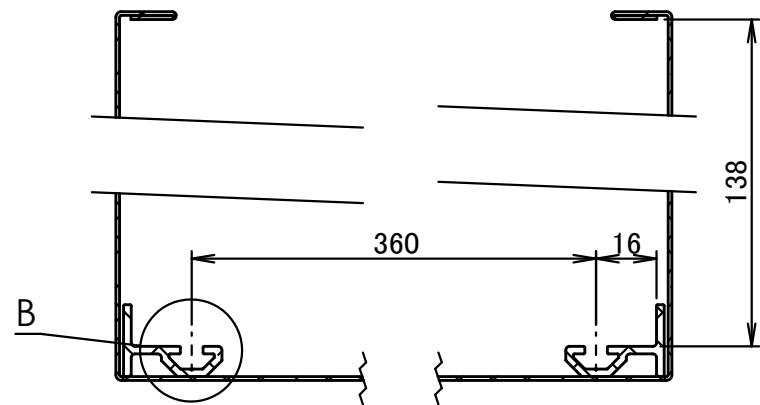
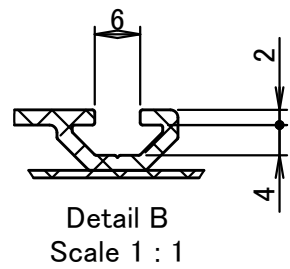
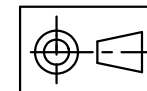


A B C D E F G H J K L M N P Q R

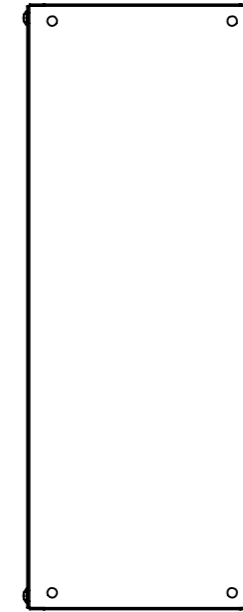
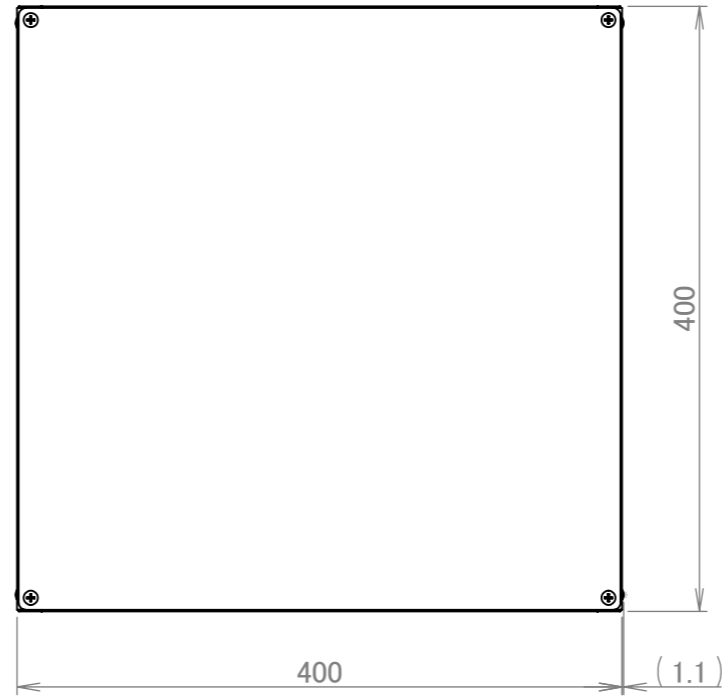
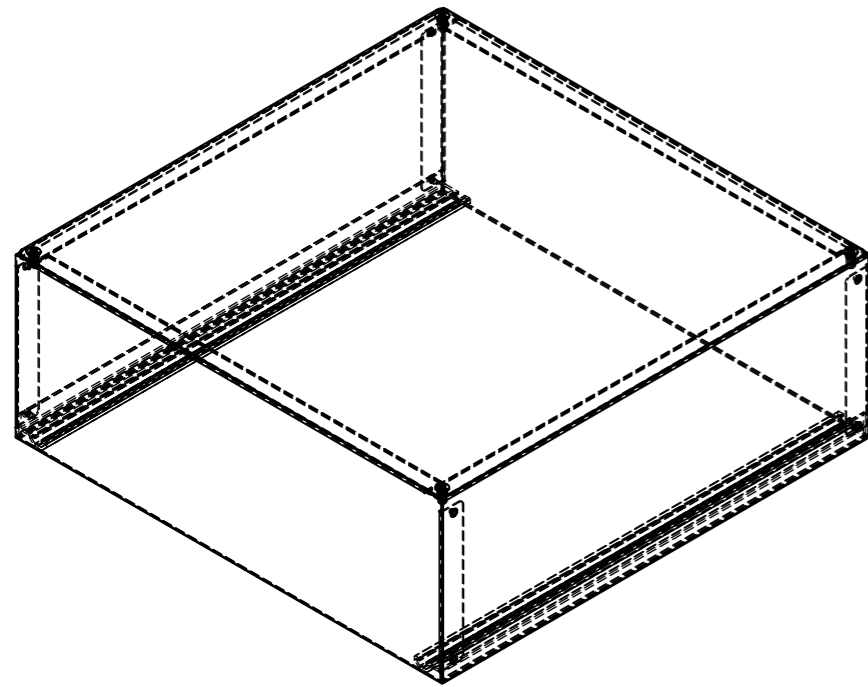
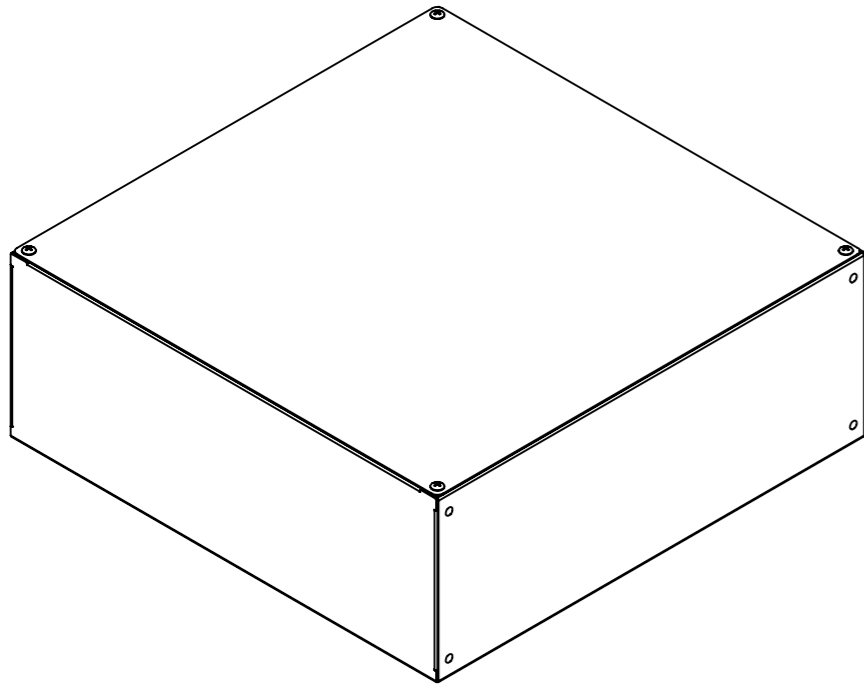
0  
1  
2  
3  
4  
5  
6  
7  
8  
9



Drawing size:A3



SCALE  
1:5



Sheet : A3  
Scale 1 : 5

*L400-xxx-yyy-150A*