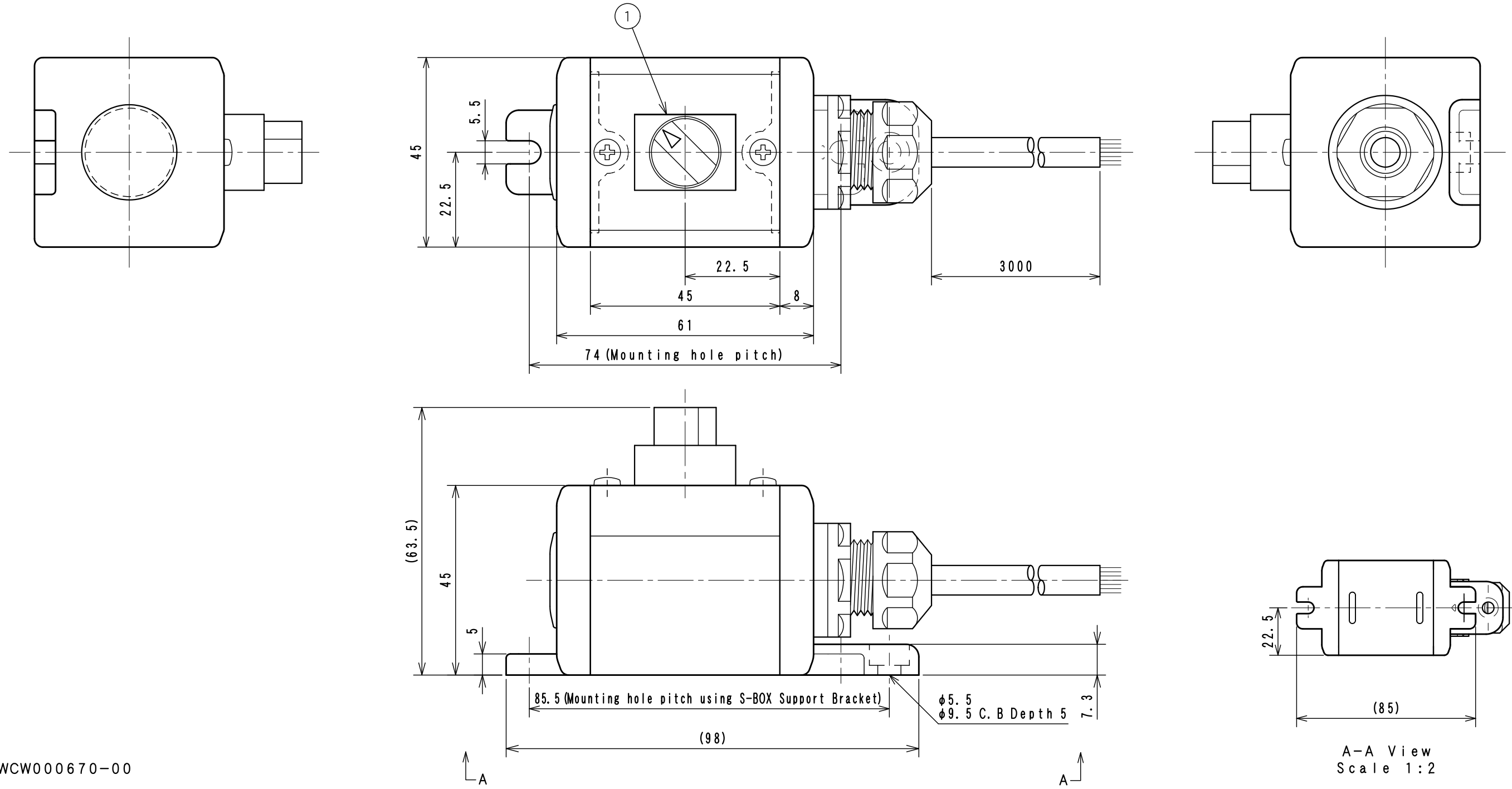


Item No.	Assembly Name
APC-S036	S-BOX45x45 (D2) Selector Switch 1/1P+SB 3m (L=61)

※Attached: Name Plate Seal 12pcs/sheet <C1P-062S>
S-BOX Support Bracket <D4R-001B>

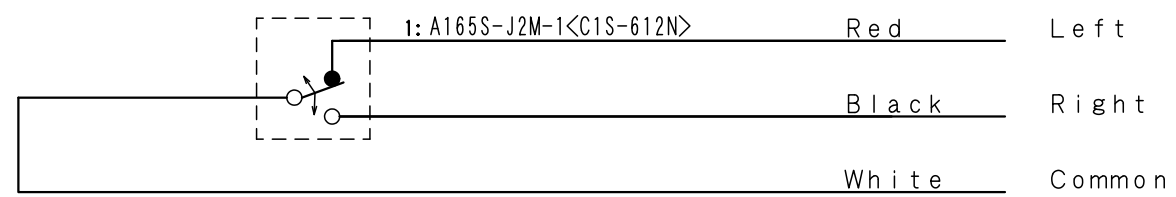
1	C1S-612N	Selector Switch A165S-J2M-1
---	----------	-----------------------------



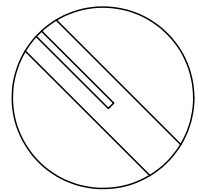
WCW000670-00

Applicable Item No.	APC-S036
---------------------	----------

No.	Switch Model No.	Item No.
1	A165S-J2M-1	C1S-612N



Left Right



Cable processing detail

