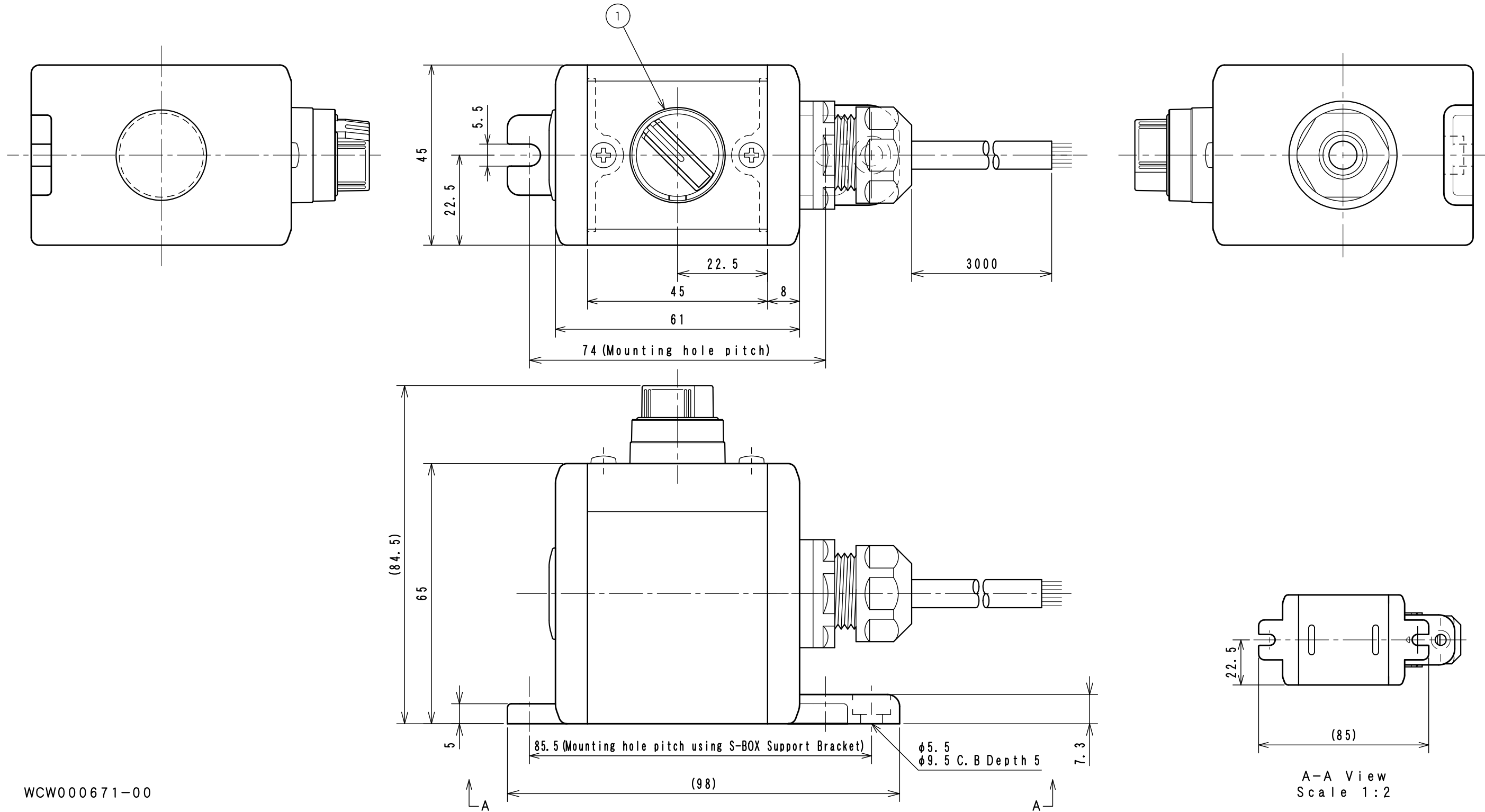


Item No.	Assembly Name
APC-S037	S-4565D Selector Switch 1/3m 1P+SB

※Attached: Name Plate Seal 12pcs/sheet <C1P-062S>
S-BOX Support Bracket <D4R-001B>

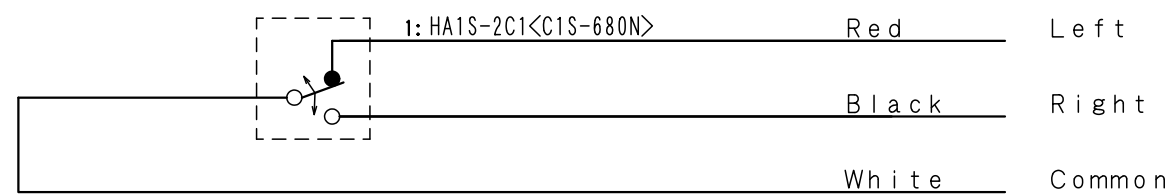
1	C1S-680N	Select Switch HA1S-2C1
---	----------	------------------------



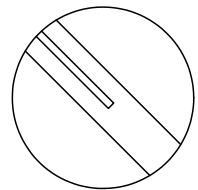
WCW000671-00

Applicable Item No.	APC-S037
---------------------	----------

No.	Switch Model No.	Item No.
1	HA1S-2C1	C1S-680N



Left Right



Cable processing detail

