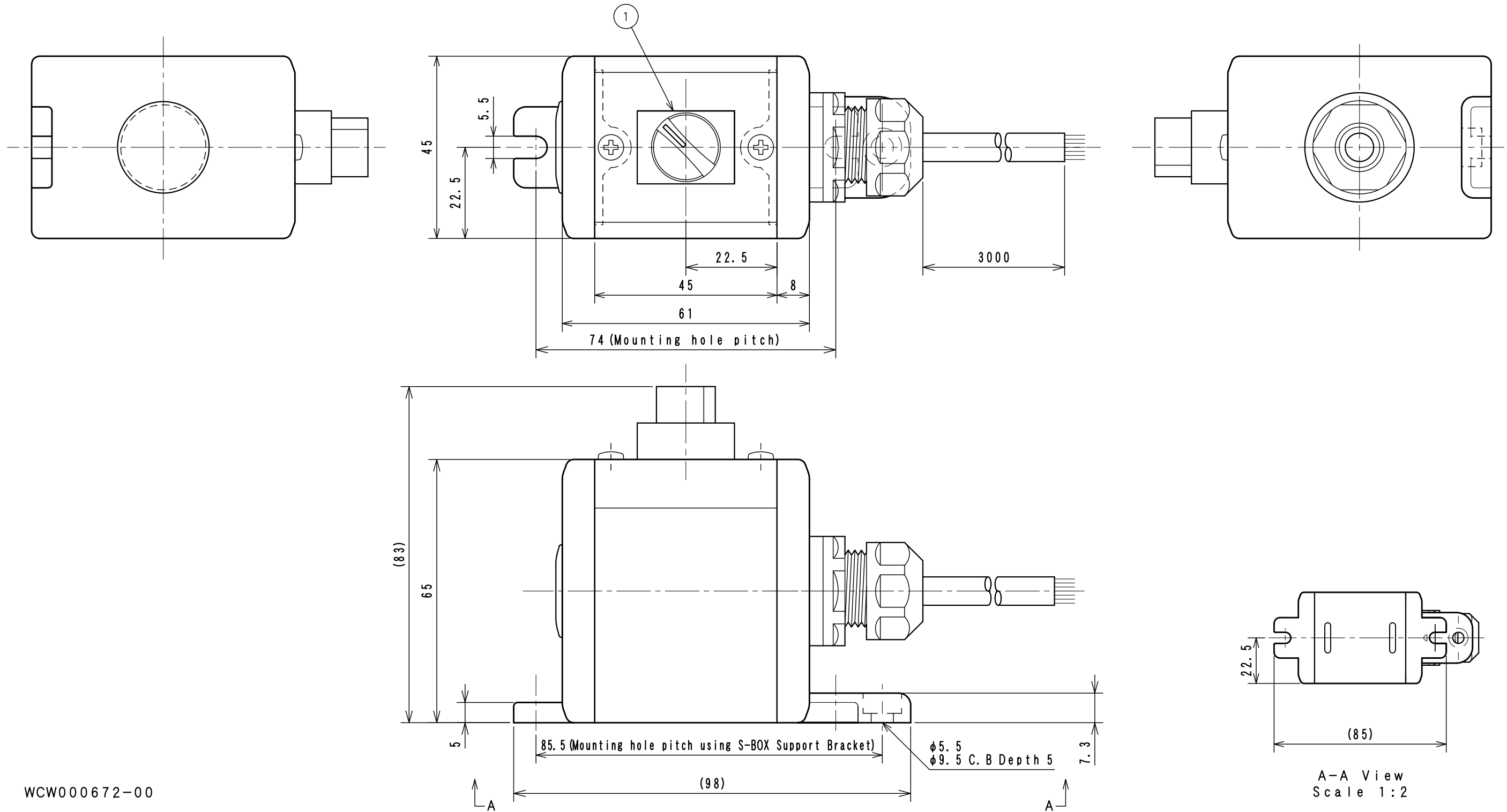


Item No.	Assembly Name
APC-S038	S-4565D Selector Switch 1/3m 1P+SB

※Attached:Name Plate Seal 12pcs/sheet <C1P-062S>  
S-BOX Support Bracket <D4R-001B>

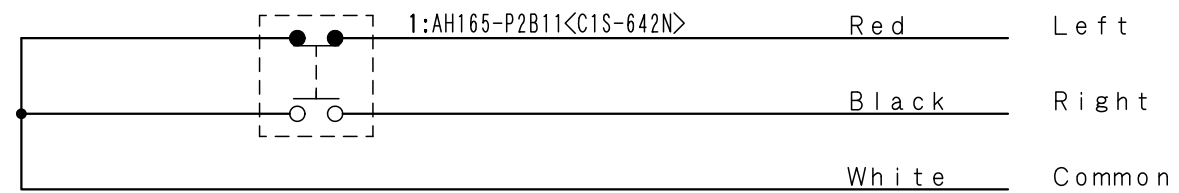
1	C1S-642N	Select Switch AH165-P2B11
---	----------	---------------------------



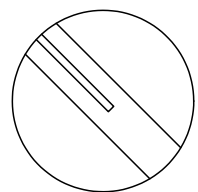
WCW000672-00

Applicable Item No.	APC-S038
---------------------	----------

No.	Switch Model No.	Item No.
1	AH165-P2B11	C1S-642N



Left Right



Cable processing detail

