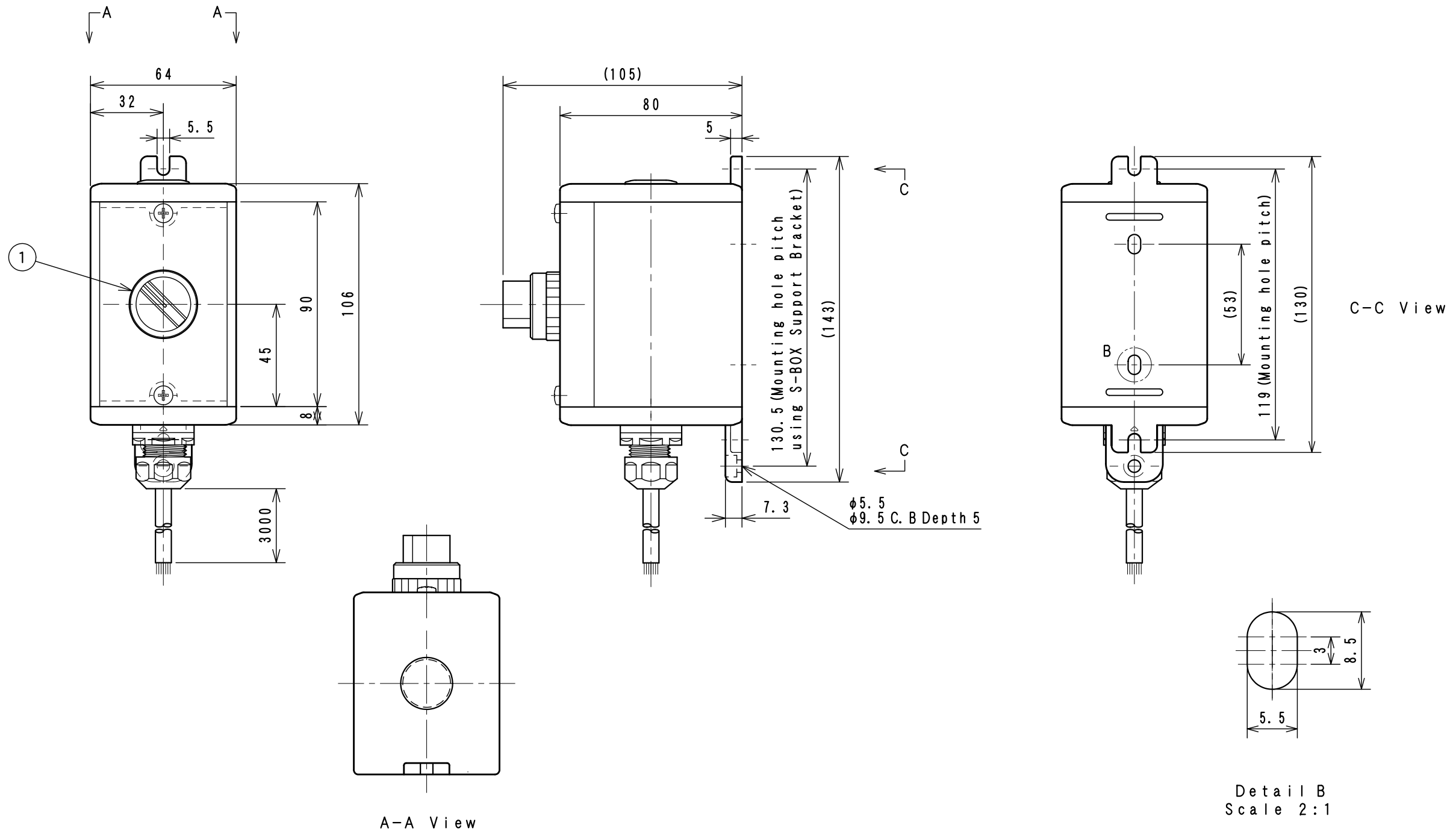


Item No.	Assembly Name
APC-S040	S-6480D Selector Switch 1/3m 1P+SB

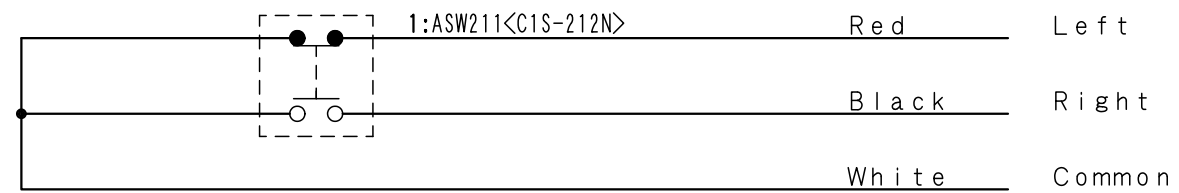
※Attached: Name Plate Seal 12pcs/sheet <C1P-062S>
S-BOX Support Bracket <D4R-001B>

1	C1S-212N	Select Switch ASW211
---	----------	----------------------

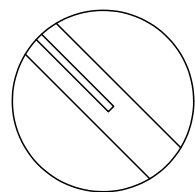


Applicable Item No.	APC-S040
---------------------	----------

No.	Switch Model No.	Item No.
1	ASW211	C1S-212N



Left Right



Cable processing detail

