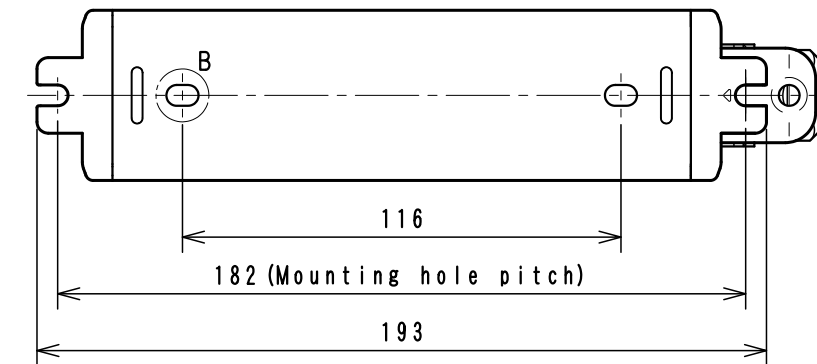
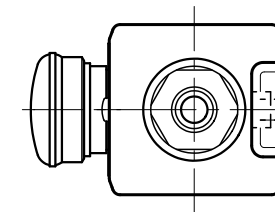
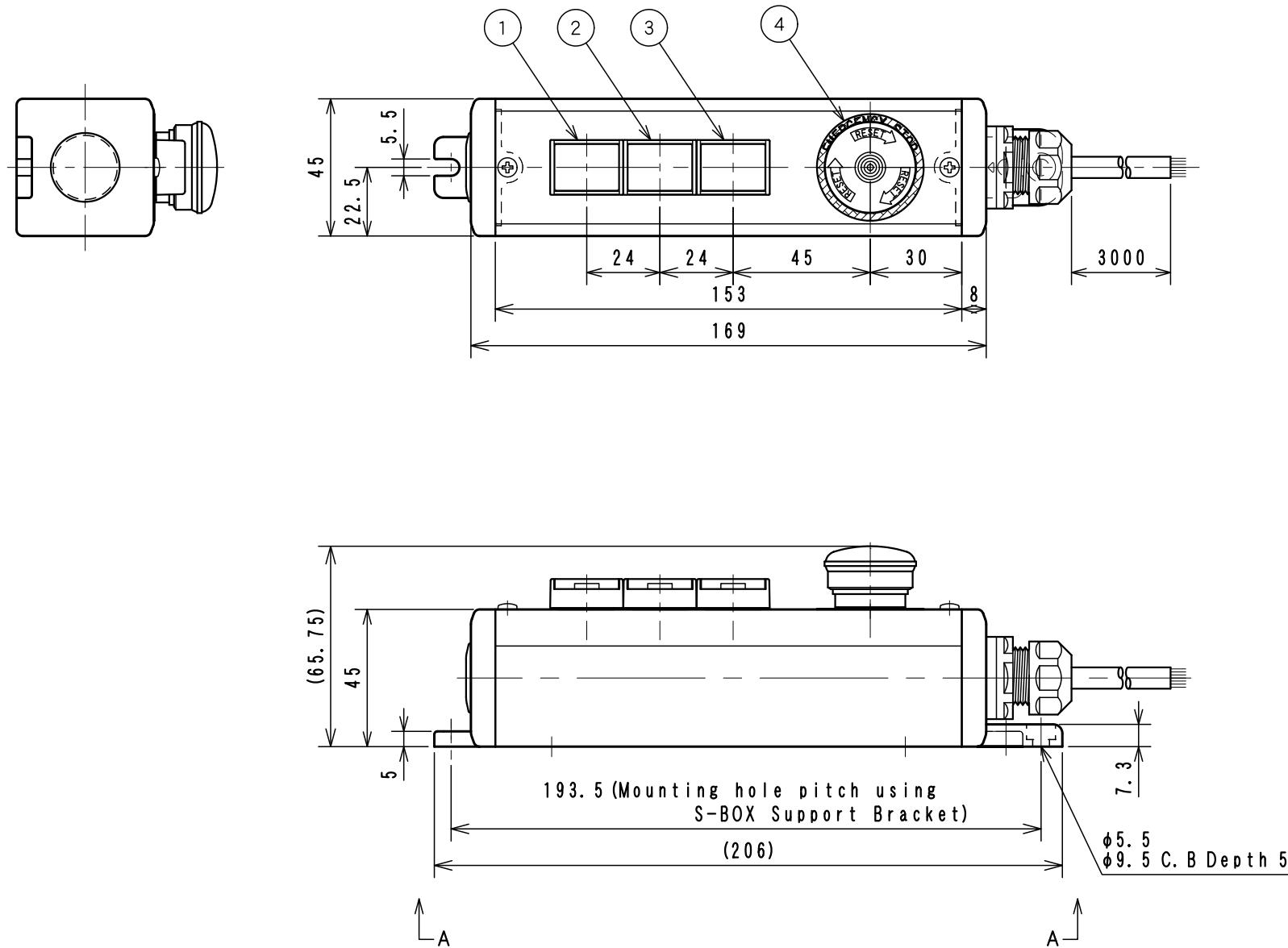


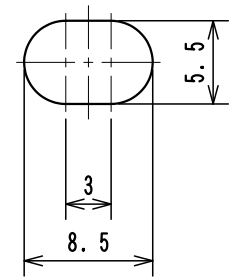
Item No.	Assembly Name
APC-S042	S-4545D Switch4 (GRY) 3m/1P+SB (L=169)

※Attached:S-BOX Support Bracket <D4R-001B>

1	C1S-605G	Pushbutton Switch(Lighted) A165L-JGM-24D-1
2	C1S-605R	Pushbutton Switch(Lighted) A165L-JRM-24D-1
3	C1S-605Y	Pushbutton Switch(Lighted) A165L-JYM-24D-1
4	C1S-601R	Emergency Stop Switch (Lighted) A165E-LS-24D-01



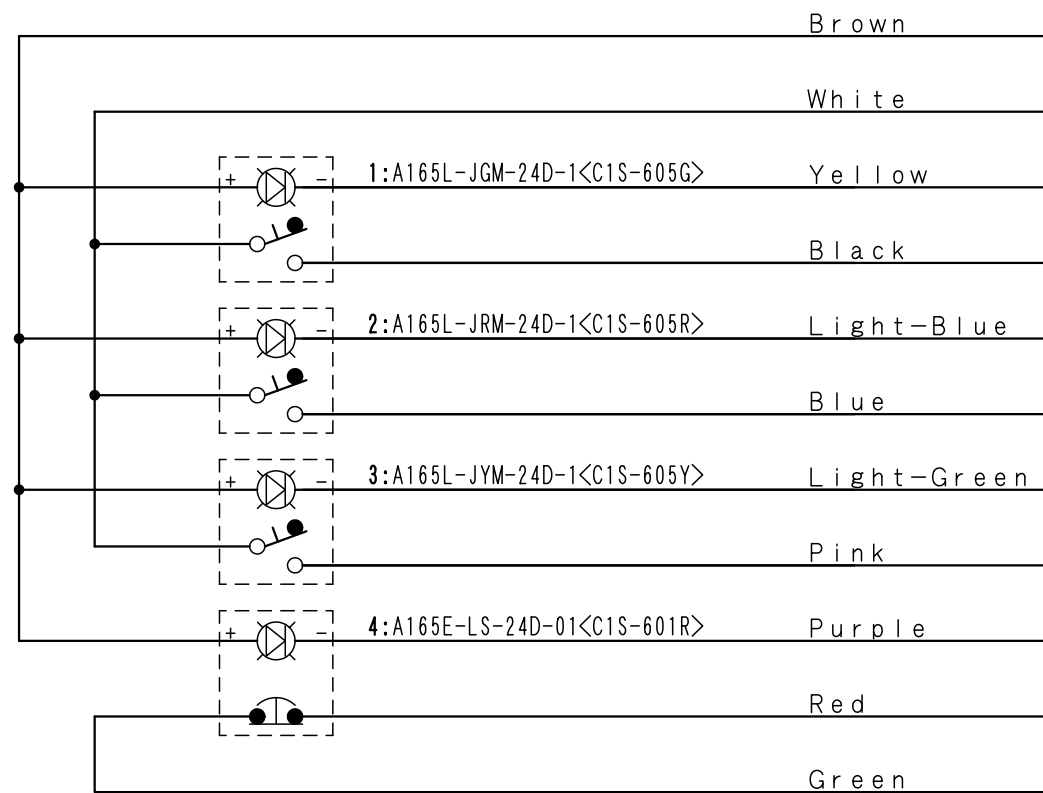
A-A View
Scale 1:2



Detail B
Scale 2:1
2 Places

Applicable Item No.	APC-S042
---------------------	----------

No.	Switch Model No.	Item No.
1	A165L-JGM-24D-1	C1S-605G
2	A165L-JRM-24D-1	C1S-605R
3	A165L-JYM-24D-1	C1S-605Y
4	A165E-LS-24D-01	C1S-601R



Cable processing detail

