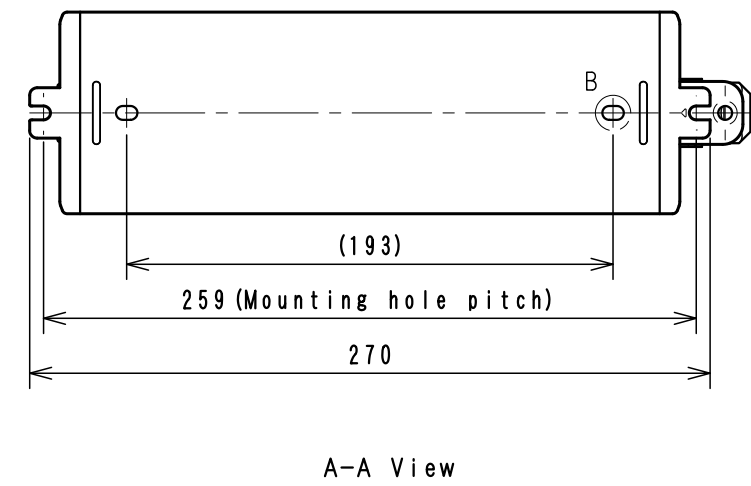
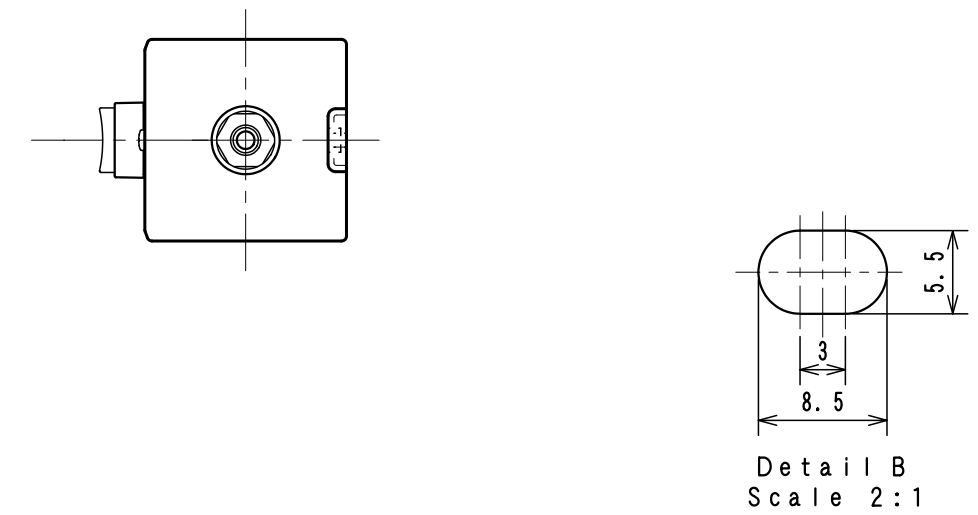
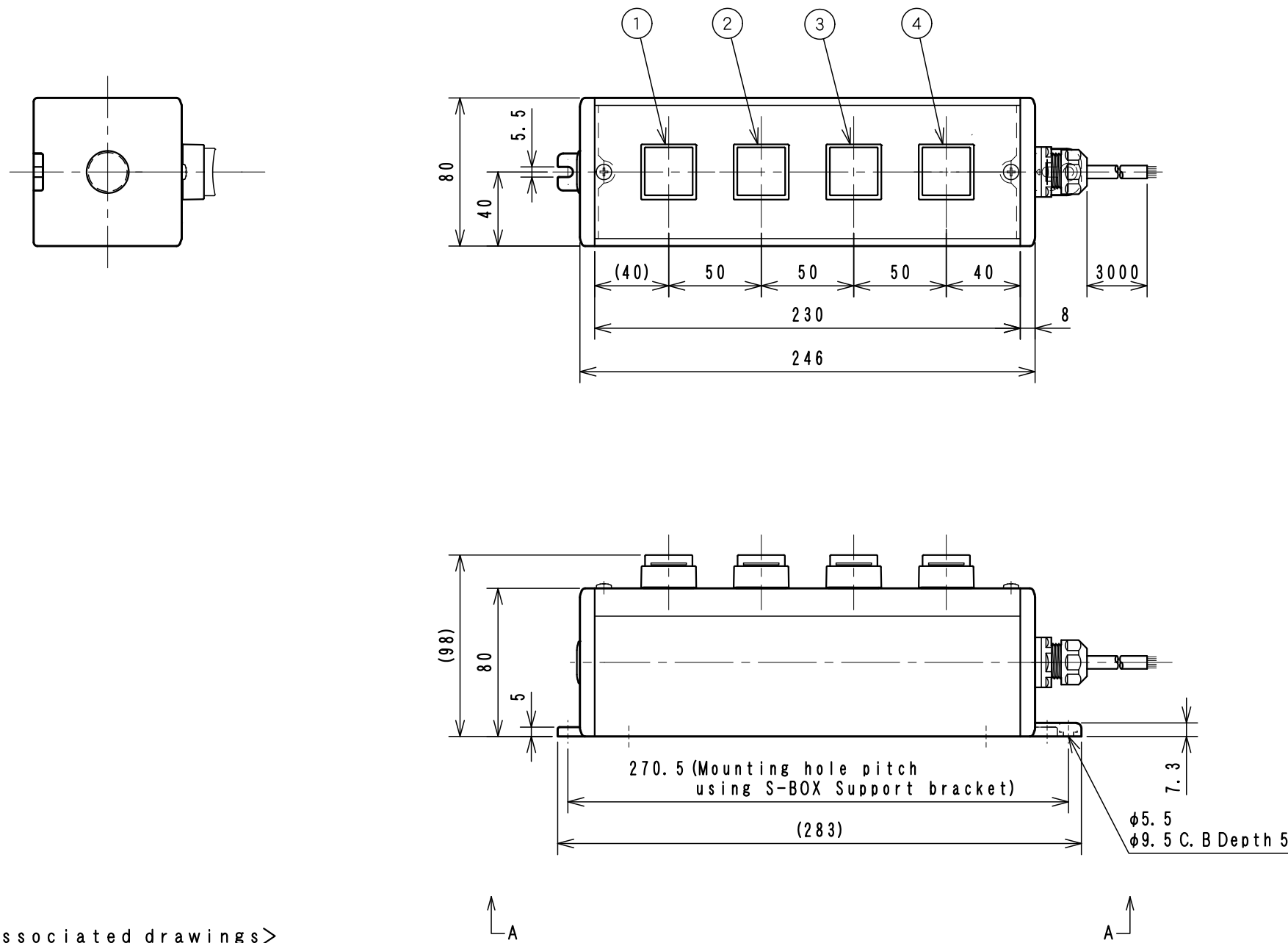


Item No.	Assembly Name
APC-S045	S-8080D Switch4 (GGRY) 3m/1P+SB (L=246)

※Attached:S-BOX Support Bracket <D4R-001B>

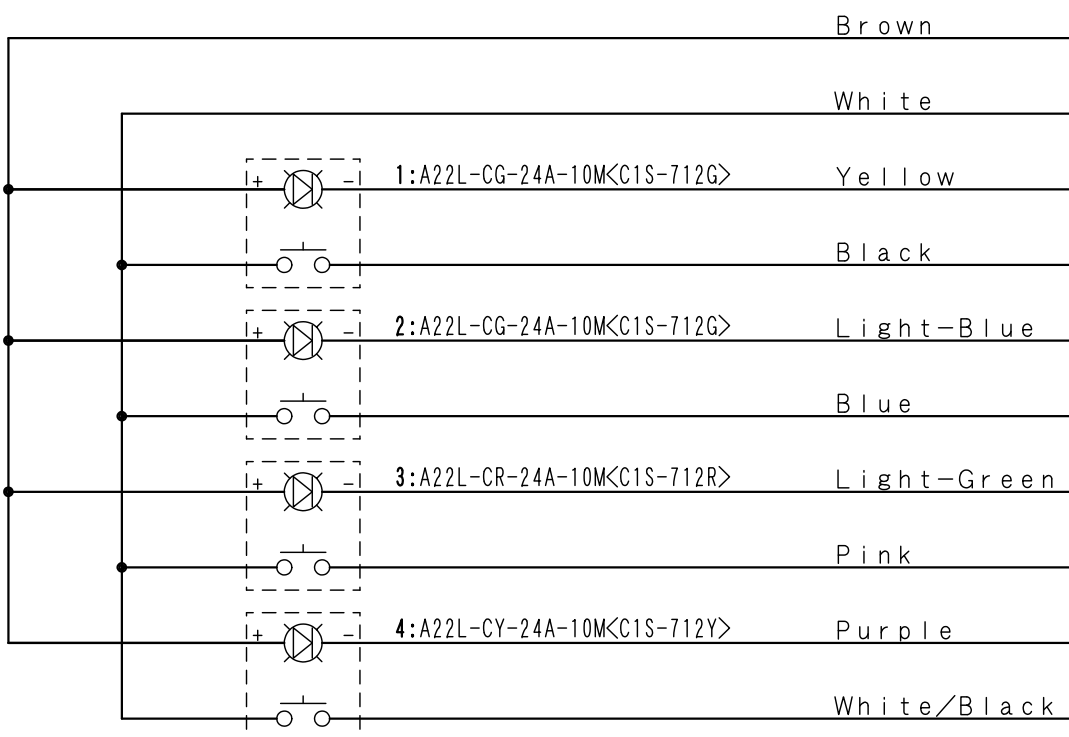
1	C1S-712G	Pushbutton Switch (Lighted)	A22L-CG-24A-10M
2	C1S-712G	Pushbutton Switch (Lighted)	A22L-CG-24A-10M
3	C1S-712R	Pushbutton Switch (Lighted)	A22L-CR-24A-10M
4	C1S-712Y	Pushbutton Switch (Lighted)	A22L-CY-24A-10M



<Associated drawings>  
WCW000709-01

Applicable Item No.	APC-S045
---------------------	----------

No.	Switch Model No.	Item No.
1	A22L-CG-24A-10M	C1S-712G
2	A22L-CG-24A-10M	C1S-712G
3	A22L-CR-24A-10M	C1S-712R
4	A22L-CY-24A-10M	C1S-712Y



Cable processing detail

