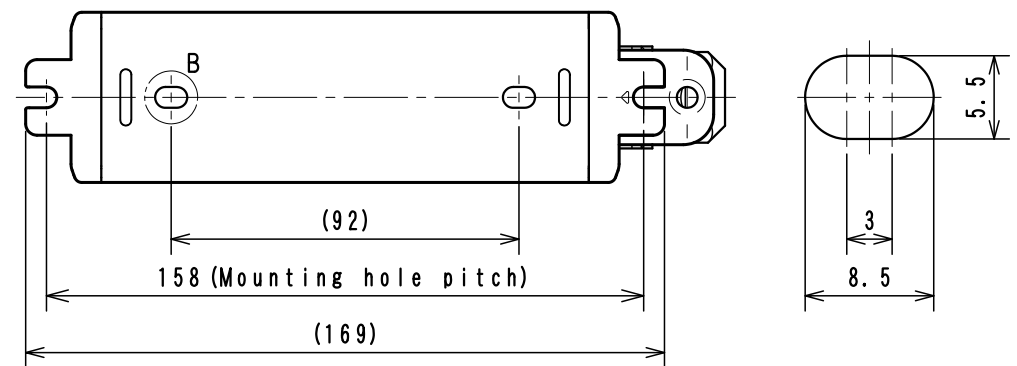
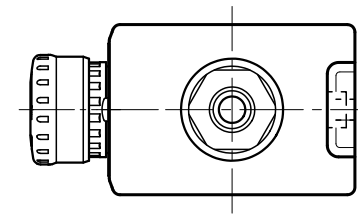
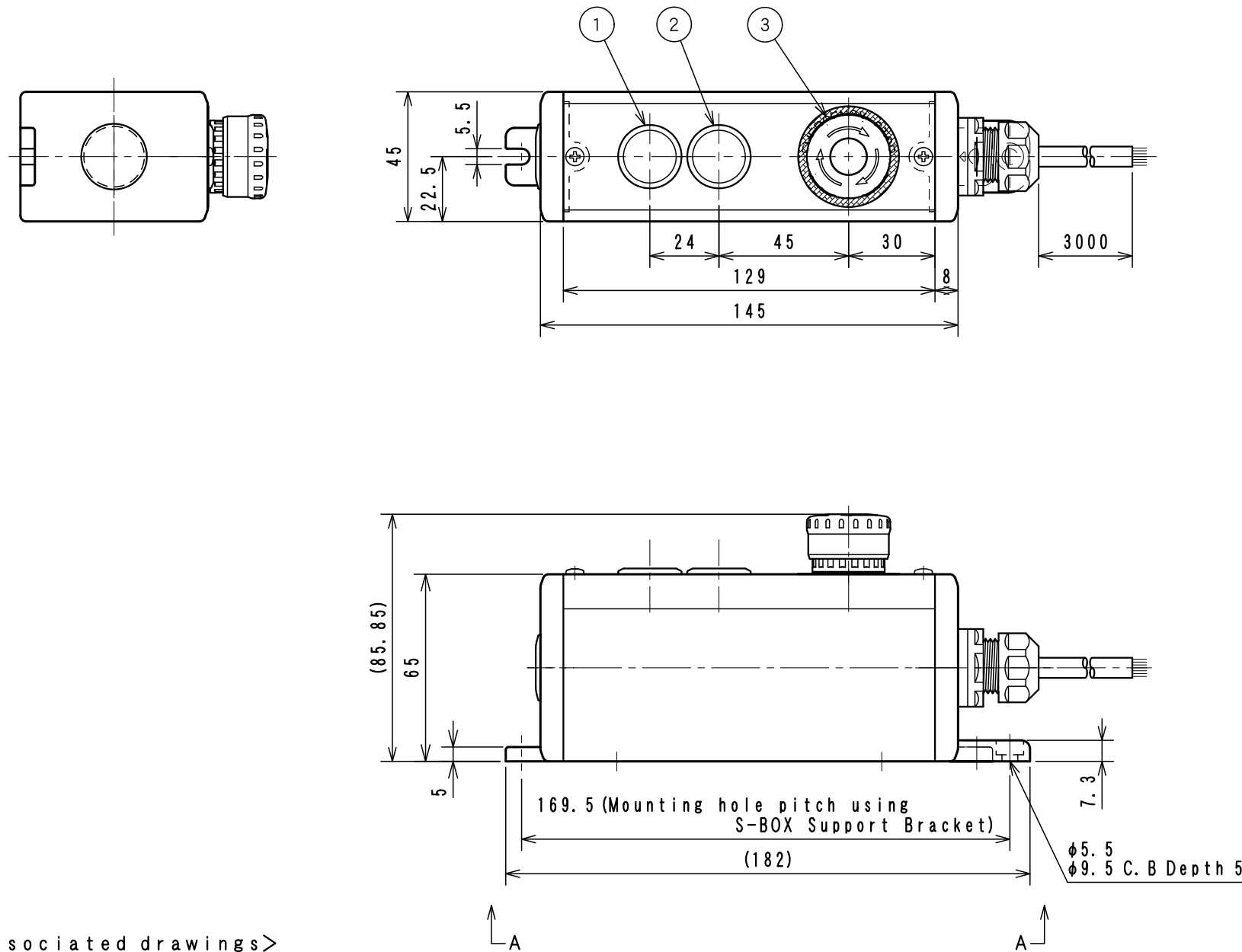


Item No.	Assembly Name
APC-S049	S-4565D Switch3 (GR) 3m/1P+SB

※Attached:S-BOX Support Bracket <D4R-001B>

1	C1S-686G	Pushbutton Switch(Lighted) LB6ML-M1T14G
2	C1S-686R	Pushbutton Switch(Lighted) LB6ML-M1T14R
3	C1S-683R	Emergency Stop Switch (Lighted) XA1E-LV302Q4R



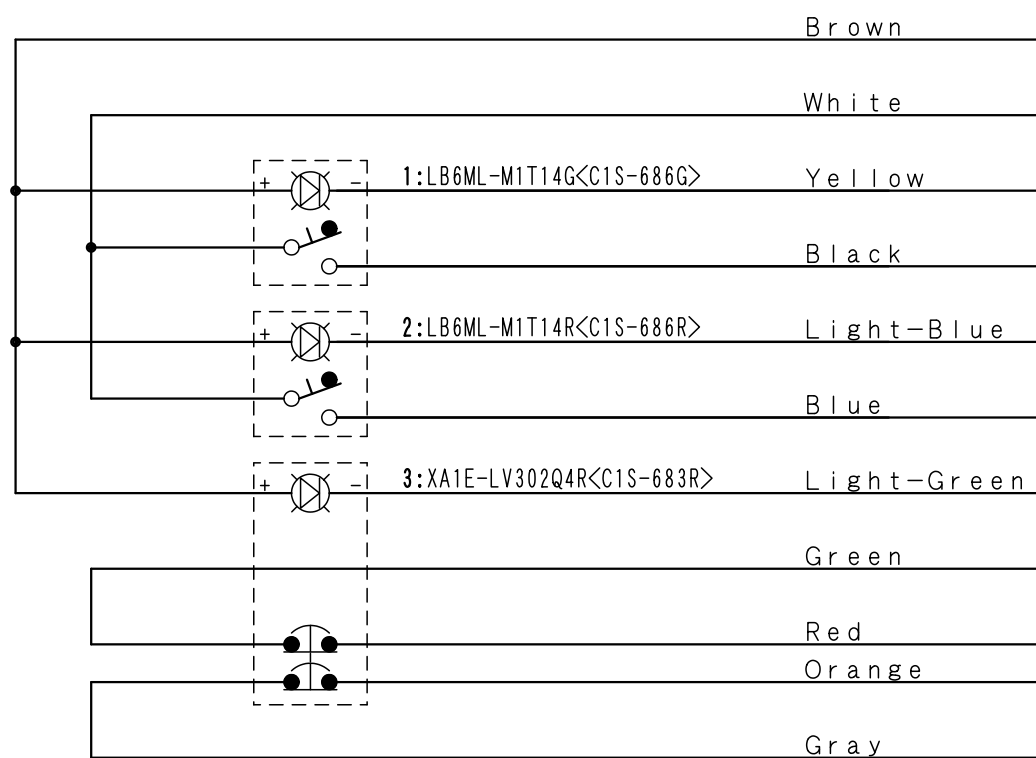
A-A View
Scale 1:2

Detail B
Scale 2:1
2 Places

<Associated drawings>
WCW000723-00

Applicable Item No.	APC-S047
	APC-S049
	APC-S051

No.	Switch Model No.	Item No.
1	LB6ML-M1T14G	C1S-686G
2	LB6ML-M1T14R	C1S-686R
3	XA1E-LV302Q4R	C1S-683R



Cable processing detail

