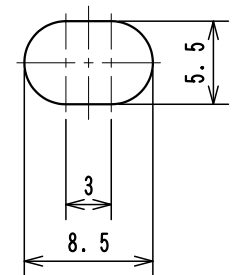
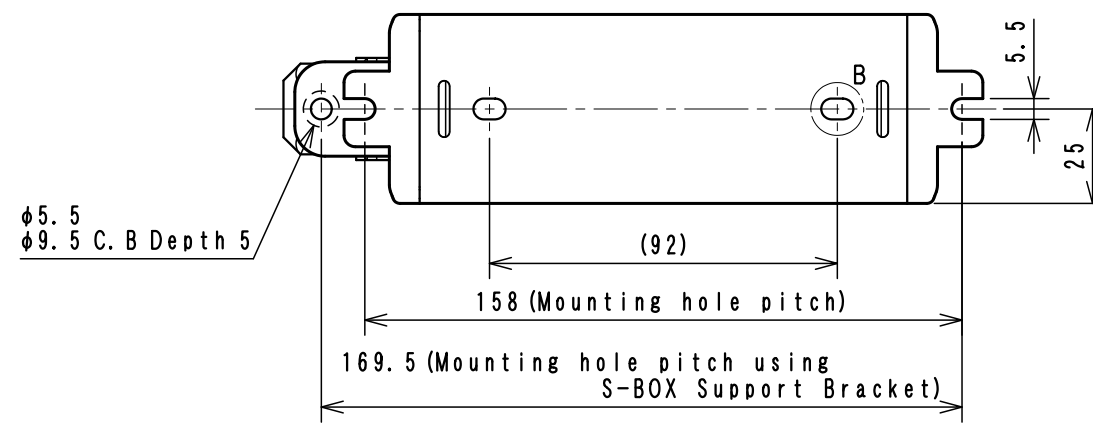
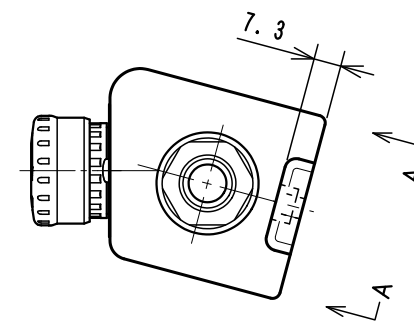
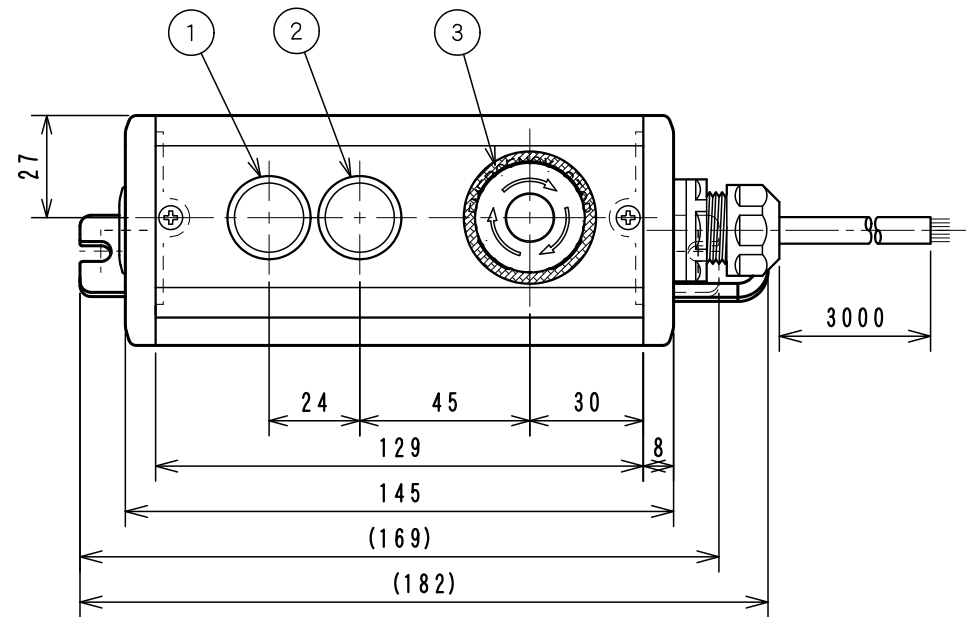
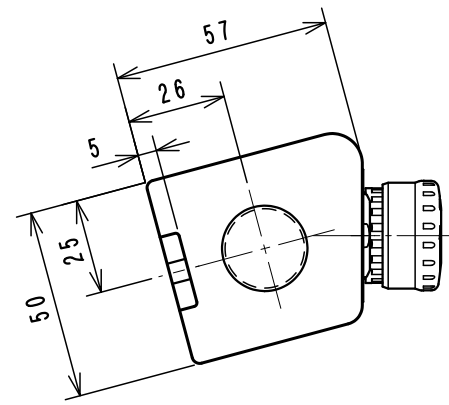


|          |                                |
|----------|--------------------------------|
| Item No. | Assembly Name                  |
| APC-S051 | S-5057D Switch 3 (GR) 3m/1P+SB |

※Attached:S-BOX Support Bracket <D4R-001B>

|   |          |   |
|---|----------|---|
| 1 | C1S-686G | Pushbutton Switch(Lighted) LB6ML-M1T14G       |
| 2 | C1S-686R | Pushbutton Switch(Lighted) LB6ML-M1T14R       |
| 3 | C1S-683R | Emergency Stop Switch (Lighted) XA1E-LV302Q4R |



Detail B  
Scale 2:1  
2 Places

A-A View

<Associated drawings>  
WCW000723-00

|                     |          |
|---------------------|----------|
| Applicable Item No. | APC-S047 |
|                     | APC-S049 |
|                     | APC-S051 |

| No. | Switch Model No. | Item No. |
|-----|------------------|----------|
| 1   | LB6ML-M1T14G     | C1S-686G |
| 2   | LB6ML-M1T14R     | C1S-686R |
| 3   | XA1E-LV302Q4R    | C1S-683R |

Cable processing detail

