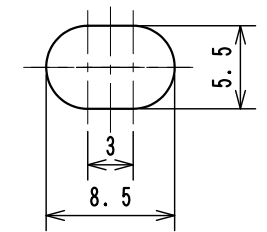
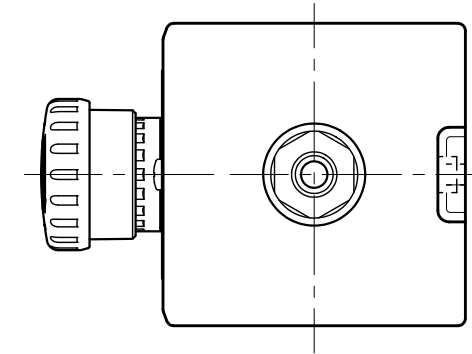
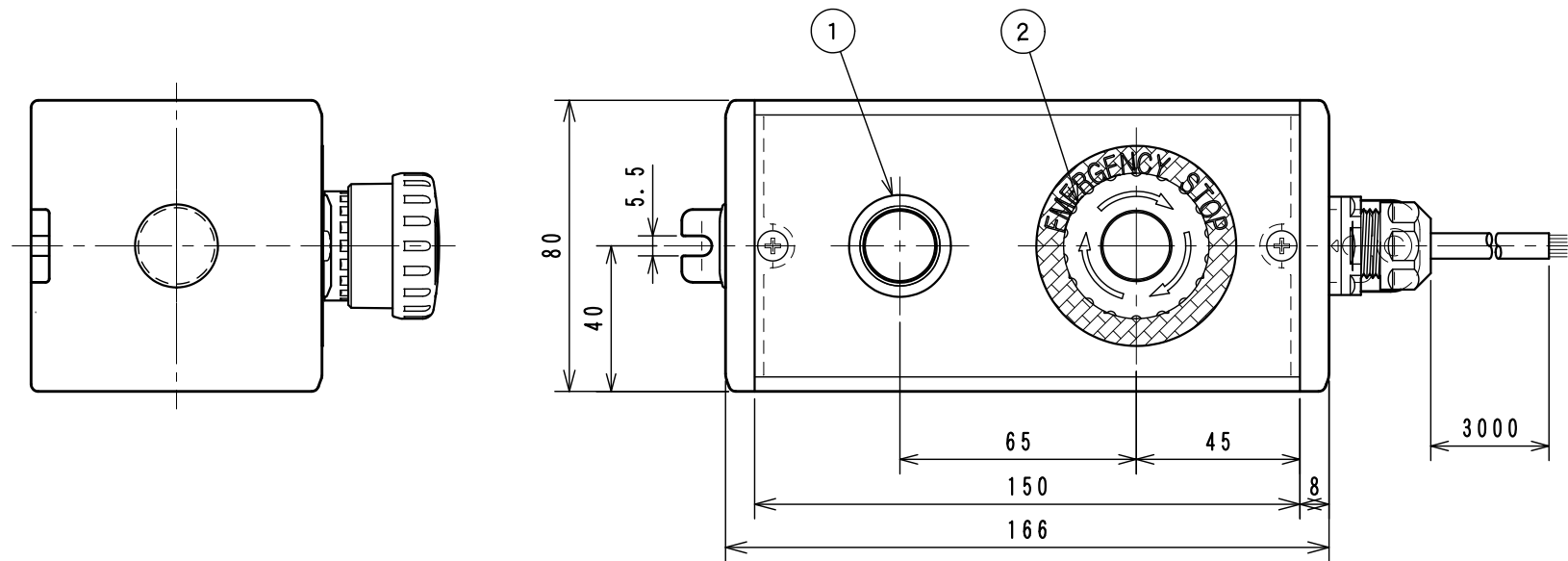


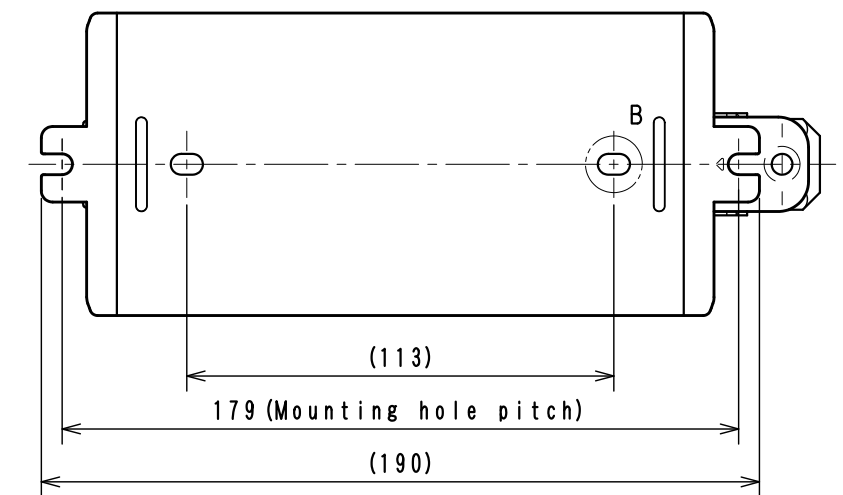
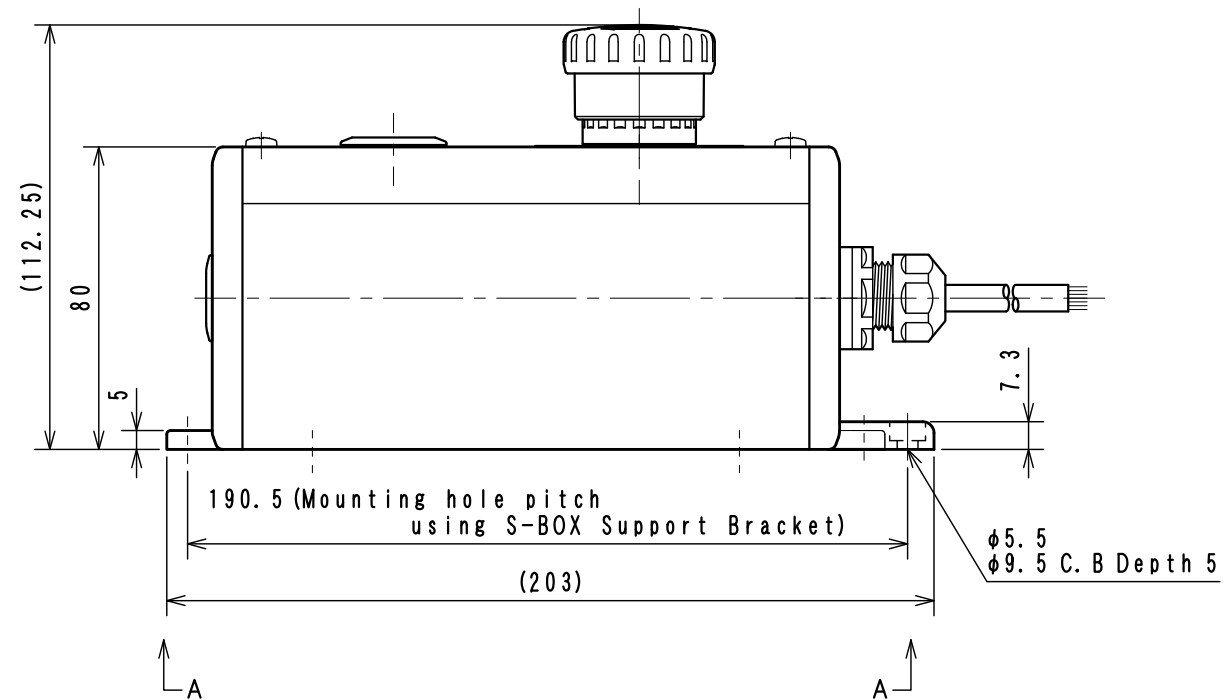
Item No.	Assembly Name
APC-S052	S-8080D Switch2 (G) /3m 1P+SB

※Attached:S-BOX Support Bracket <D4R-001B>

1	C1S-736G	Pushbutton Switch(Lighted) CW4L-M1E10Q4G
2	C1S-722R	Emergency Stop Switch(Lighted) XW1E-LV412Q4MR



Detail B
Scale 2:1

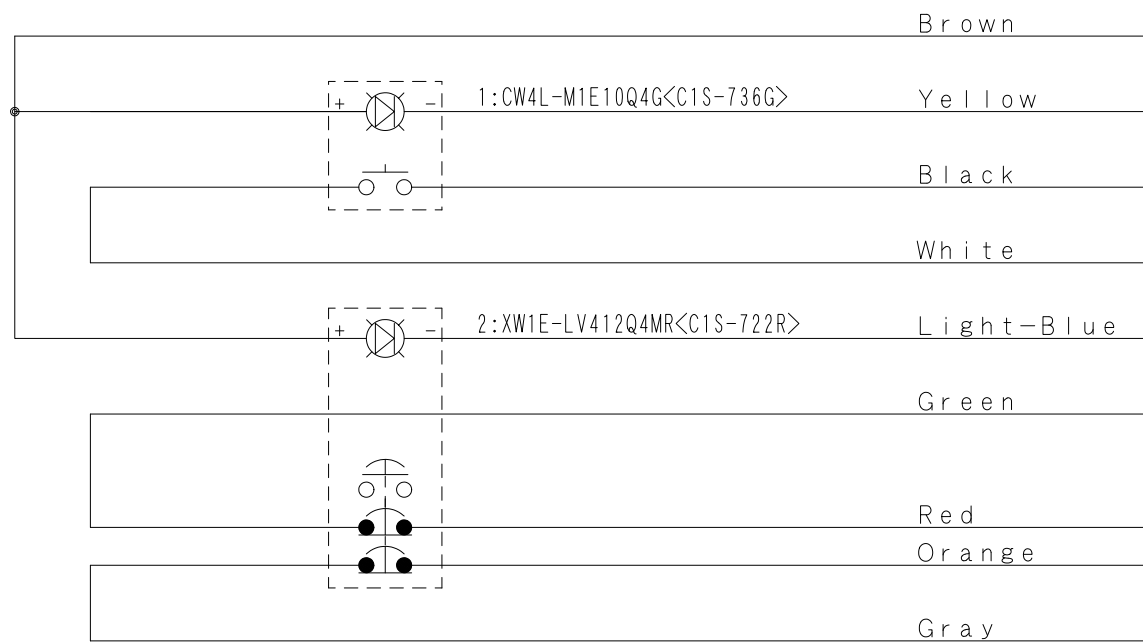


A-A View
Scale 1:2

<Associated drawings>
WCW000724-00

Applicable Item No.	APC-S052
	APC-S054

No.	Switch Model No.	Item No.
1	CW4L-M1E10Q4G	C1S-736G
2	XW1E-LV412Q4MR	C1S-722R



Cable processing detail

