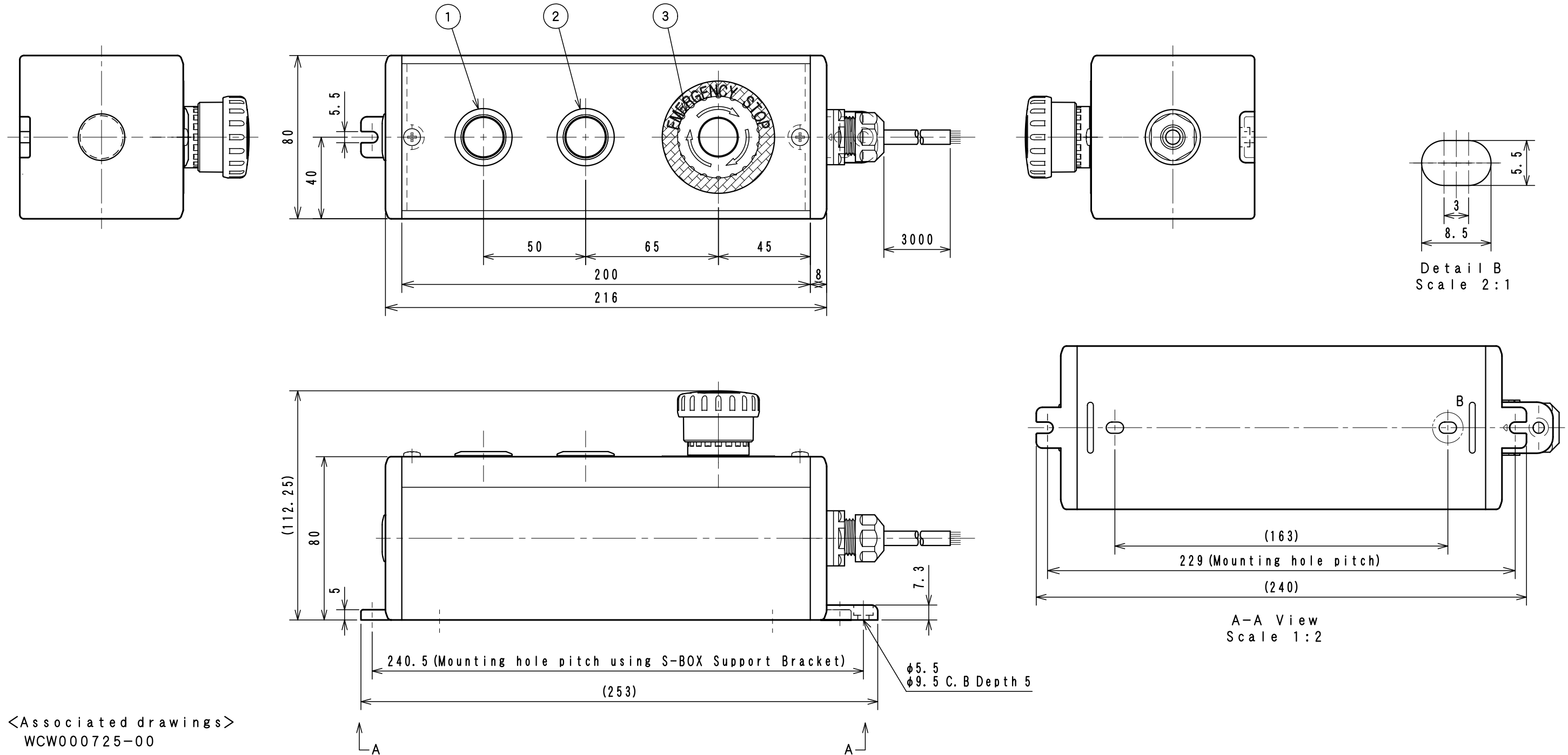


| Item No. | Assembly Name |
|----------|---------------------------------|
| APC-S053 | S-8080D Switch 3 (GR) /3m 1P+SB |

※Attached: S-BOX Support Bracket <D4R-001B>

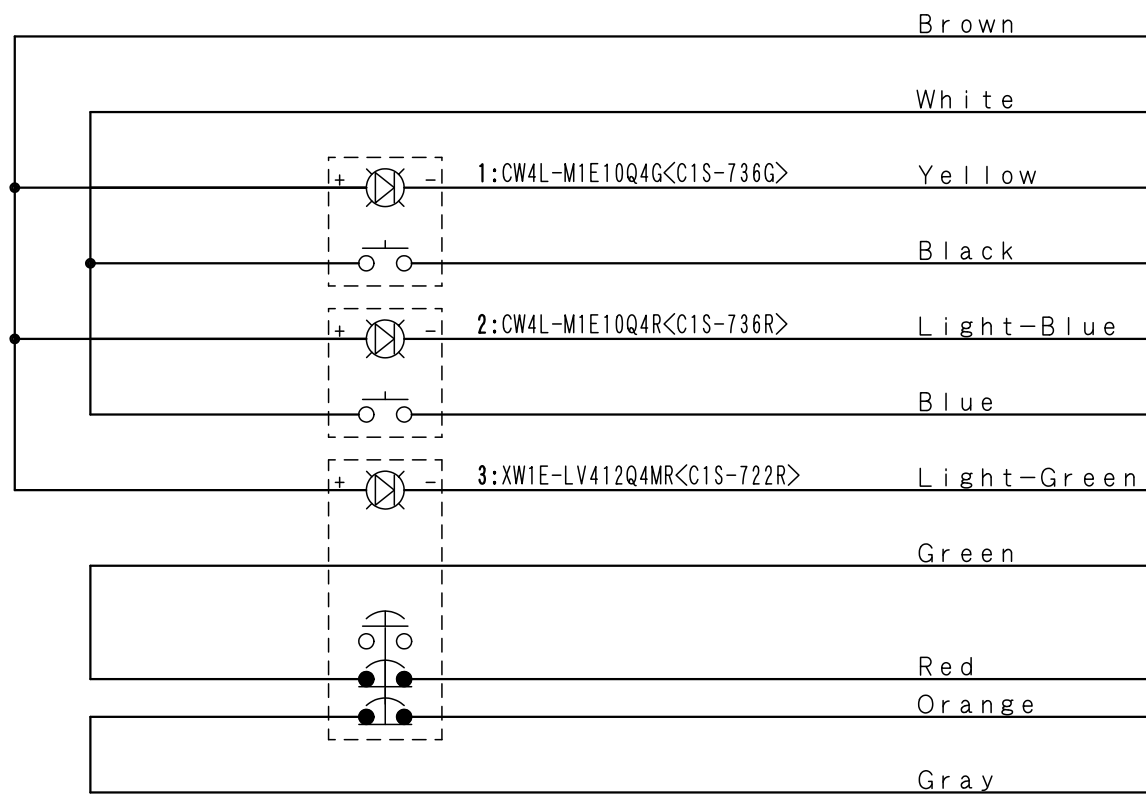
| | | |
|---|----------|--|
| 1 | C1S-736G | Pushbutton Switch(Lighted) CW4L-M1E10Q4G |
| 2 | C1S-736R | Pushbutton Switch(Lighted) CW4L-M1E10Q4R |
| 3 | C1S-722R | Emergency Stop Switch (Lighted) XW1E-LV412Q4MR |



<Associated drawings>
WCW000725-00

| | |
|---------------------|----------|
| Applicable Item No. | APC-S053 |
| | APC-S055 |

| No. | Switch Model No. | Item No. |
|-----|------------------|----------|
| 1 | CW4L-M1E10Q4G | C1S-736G |
| 2 | CW4L-M1E10Q4R | C1S-736R |
| 3 | XW1E-LV412Q4MR | C1S-722R |



Cable processing detail

