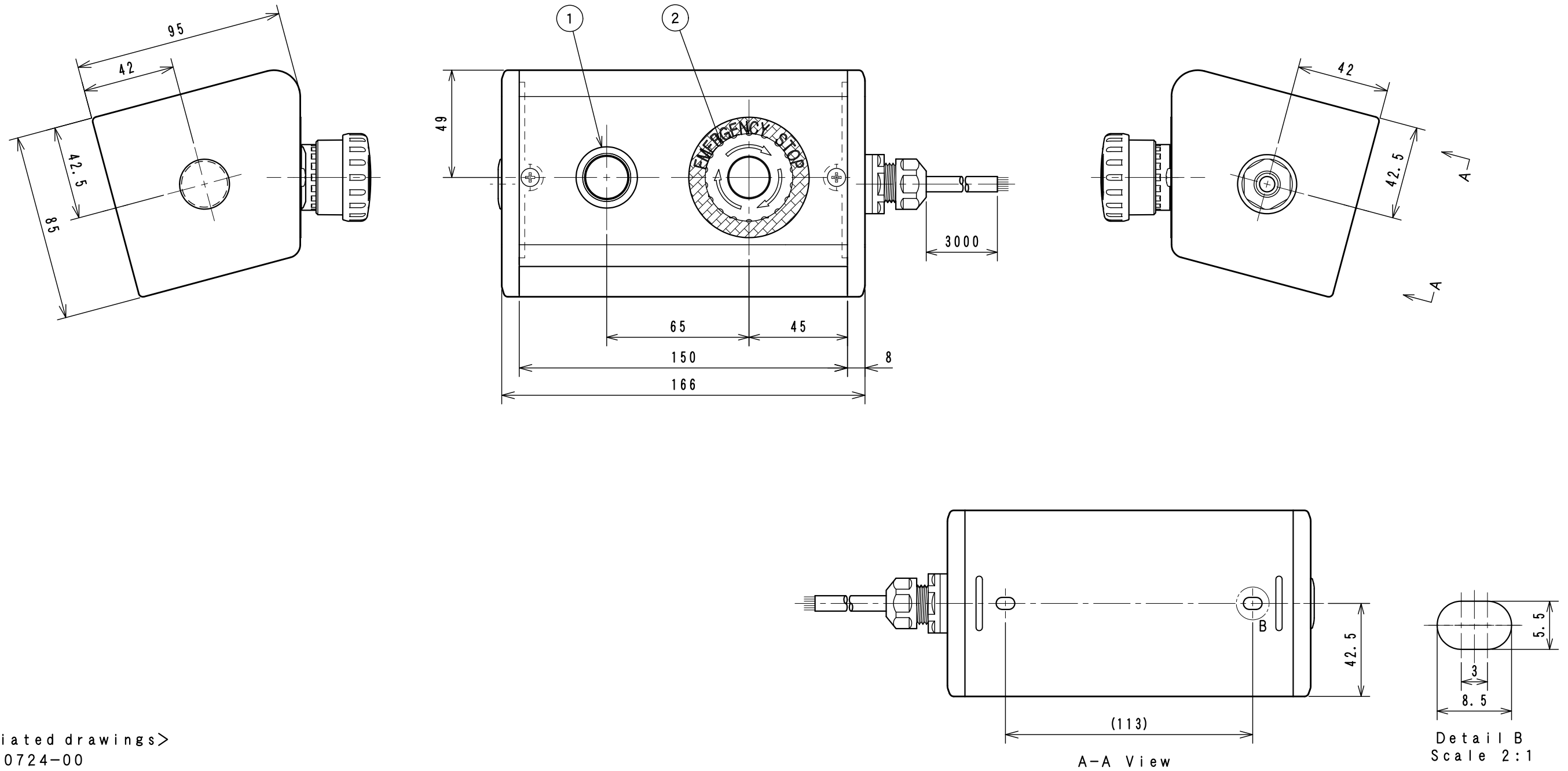


Item No.	Assembly Name
APC-S054	S-8595D Switch 2 (G) 3m/Normal

1	C1S-736G	Pushbutton Switch(Lighted) CW4L-M1E10Q4G
2	C1S-722R	Emergency Stop Switch (Lighted) XW1E-LV412Q4MR



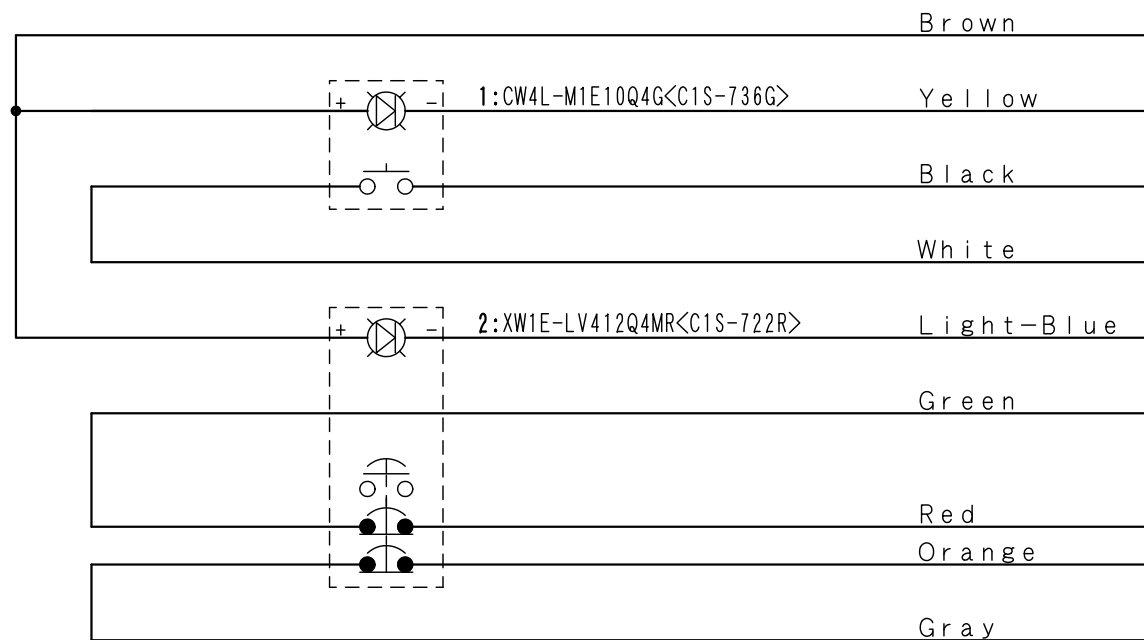
<Associated drawings>
WCW000724-00

A-A View

Detail B
Scale 2:1

Applicable Item No.	APC-S052
	APC-S054

No.	Switch Model No.	Item No.
1	CW4L-M1E10Q4G	C1S-736G
2	XW1E-LV412Q4MR	C1S-722R



Cable processing detail

