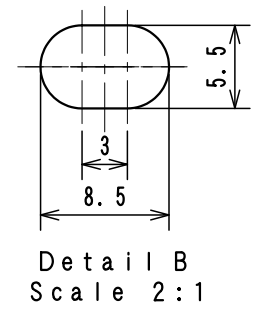
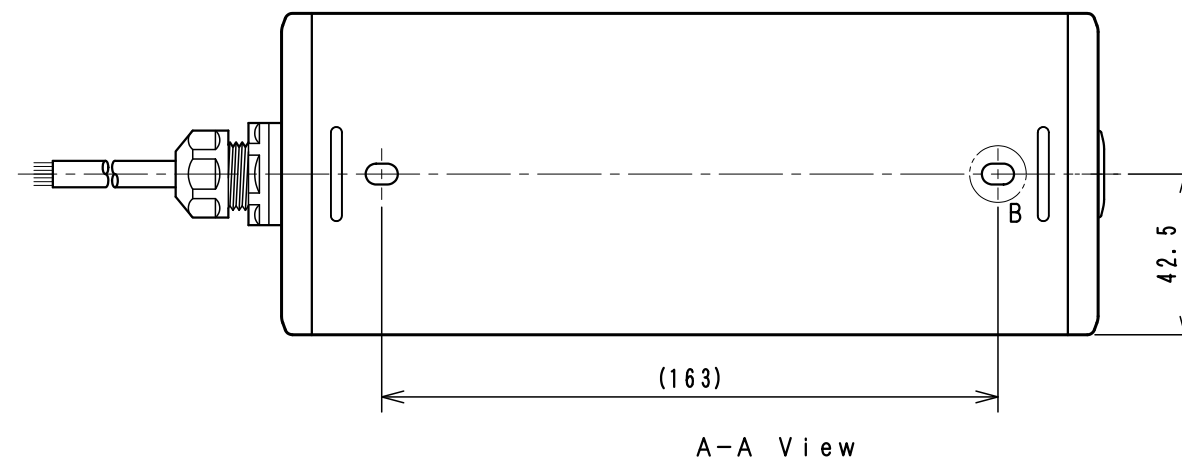
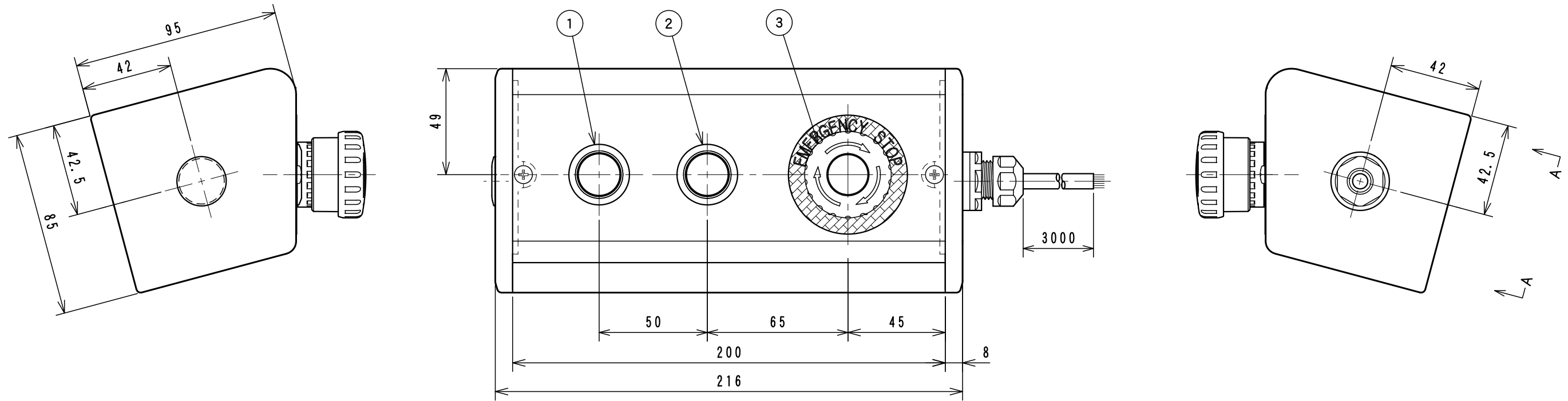


Item No.	Assembly Name
APC-S055	S-8595D Switch3 (GR) 3m/Normal

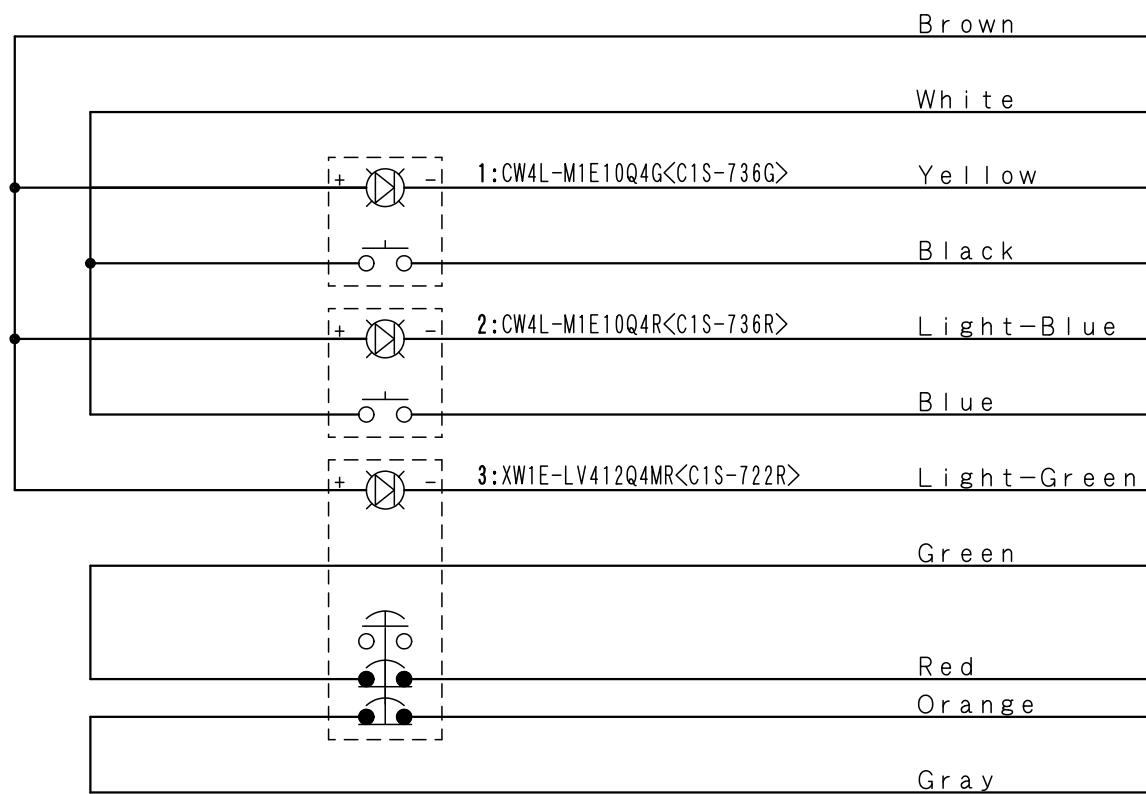
1	C1S-736G	Pushbutton Switch(Lighted) CW4L-M1E10Q4G
2	C1S-736R	Pushbutton Switch(Lighted) CW4L-M1E10Q4R
3	C1S-722R	Emergency Stop Switch (Lighted) XW1E-LV412Q4MR



<Associated drawings>
WCW000725-00

Applicable Item No.	APC-S053
	APC-S055

No.	Switch Model No.	Item No.
1	CW4L-M1E10Q4G	C1S-736G
2	CW4L-M1E10Q4R	C1S-736R
3	XW1E-LV412Q4MR	C1S-722R



Cable processing detail

