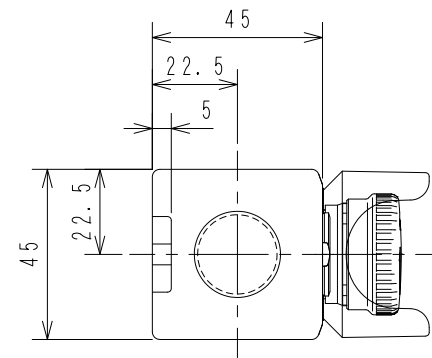


| | |
|----------|--------------------------------|
| Item No. | Assembly Name |
| APC-S056 | S-4545D Starting-BOX 50-40E/5m |

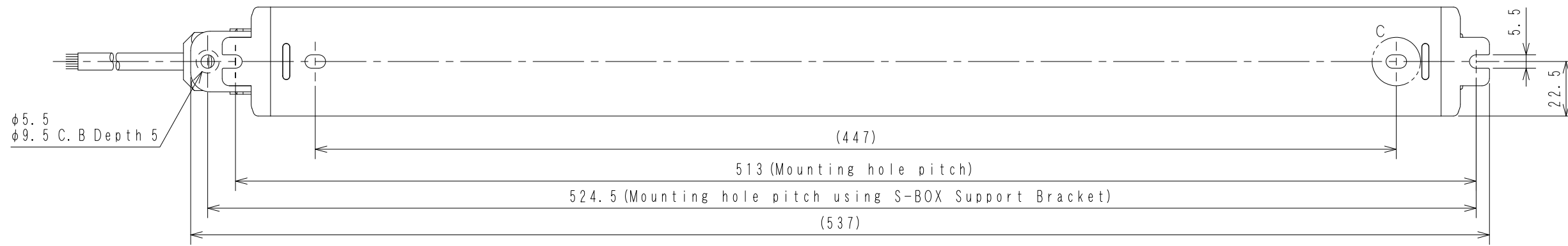
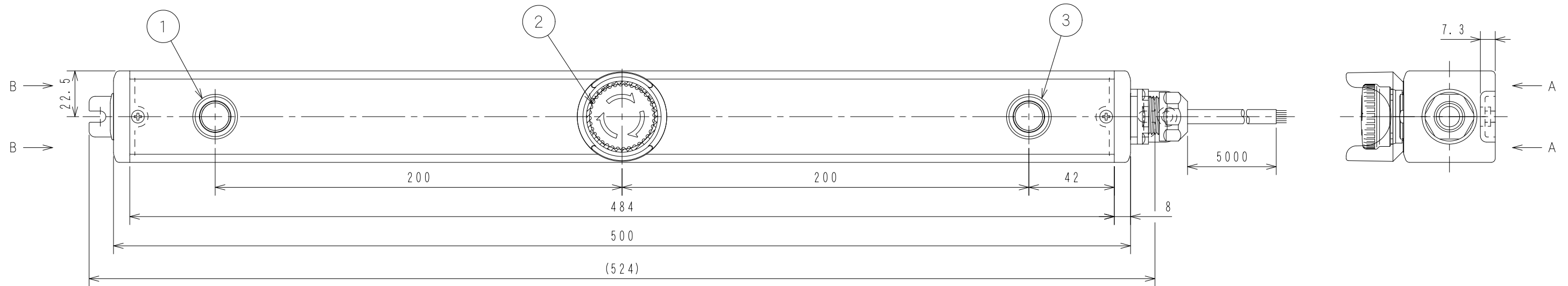
※Attached:S-BOX Support Bracket <D4R-001B>

<Associated drawings>
WCW000769-01

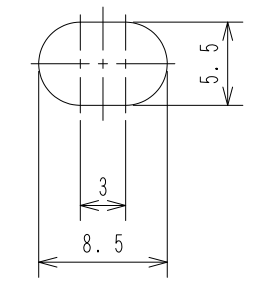
| | | |
|---|----------|--|
| 1 | C1S-248G | Pushbutton Switch(Lighted) Green AF16F0L-C2E3G |
| 2 | C1S-757R | Emergency Stop Switch AR16VOL-02E3R |
| 3 | C1S-248G | Pushbutton Switch(Lighted) Green AF16F0L-C2E3G |



B-B View



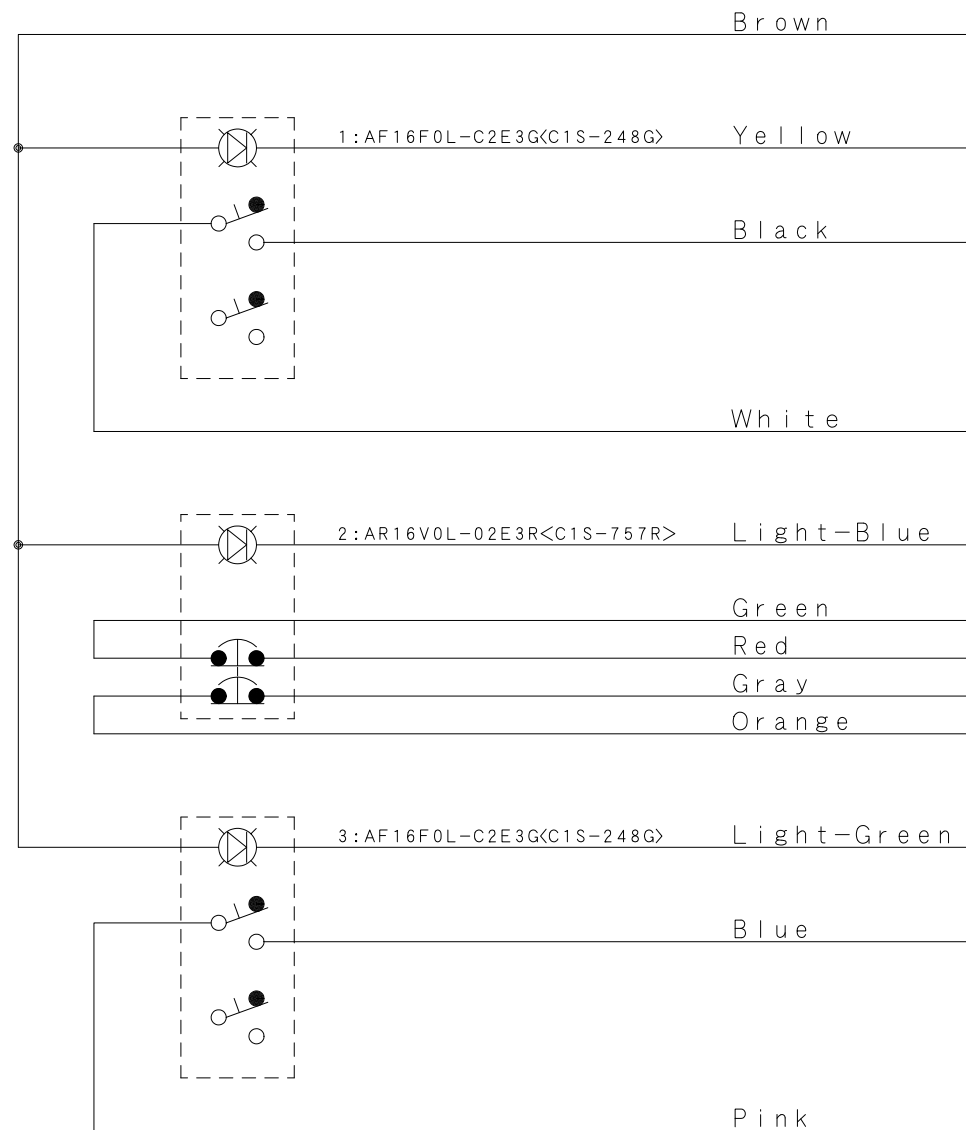
A-A View



Detail C
Scale 2:1
2 Places

| | |
|---------------------|----------|
| Applicable Item No. | APC-S056 |
| | APC-S058 |

| No. | Switch Model No. | Item No. |
|-----|------------------|----------|
| 1 | AF16F0L-C2E3G | C1S-248G |
| 2 | AR16V0L-02E3R | C1S-757R |
| 3 | AF16F0L-C2E3G | C1S-248G |



Cable processing detail

