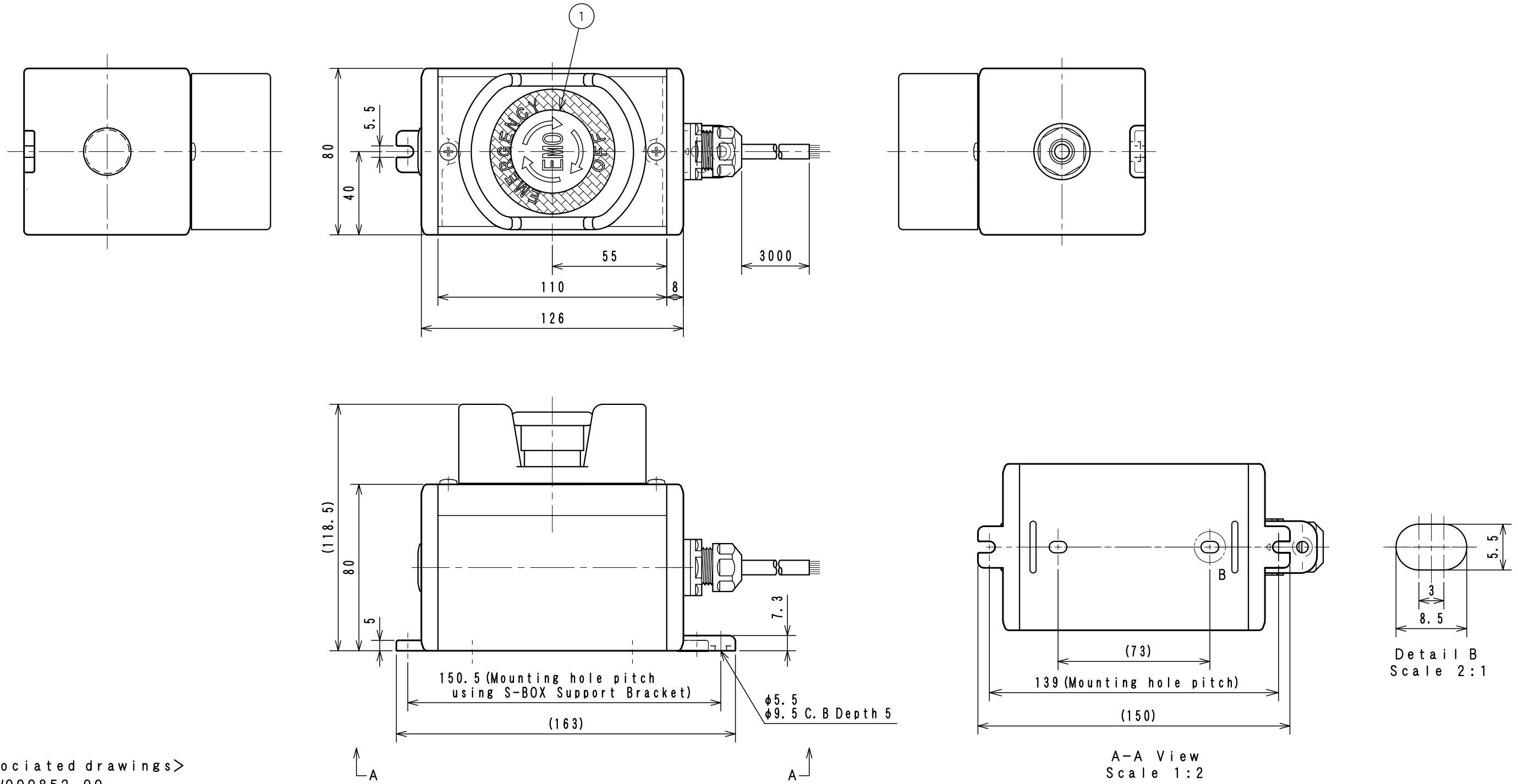


Item No.	Assembly Name
APC-S064	S-BOX80x80 (D2) Switch1EMO Guard/3m 1P+SB

※Attached:S-BOX Support Bracket <D4R-001B>

1	C1S-619R	Emergency Stop Switch (Lighted)	A22E-M-02-EMO
---	----------	---------------------------------	---------------



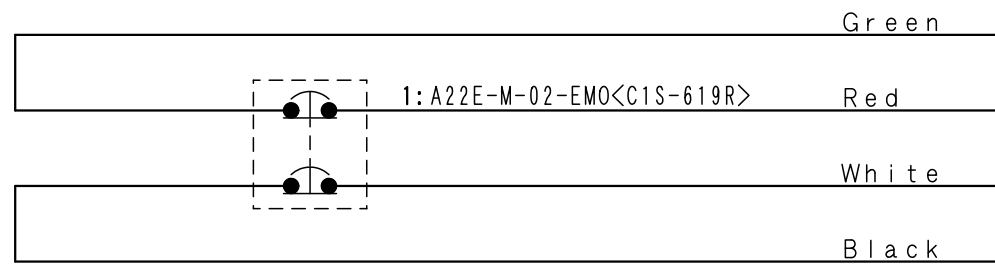
<Associated drawings>
WCW000852-00

A-A View
Scale 1:2

Detail B
Scale 2:1

Applicable Item No.
APC-S064

No.	Switch Model No.	Item No.
1	A22E-M-02-EMO	C1S-619R



Cable processing detail

