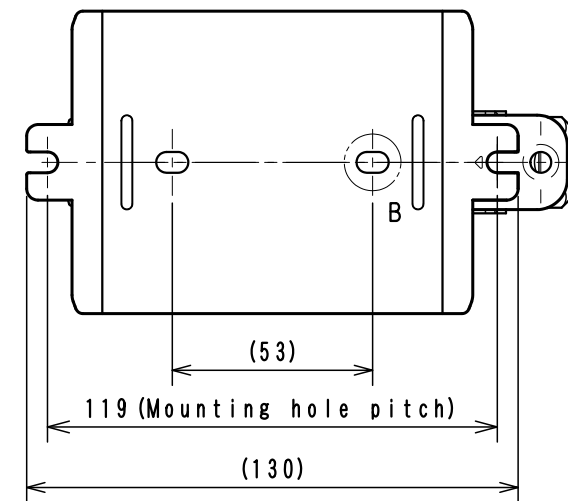
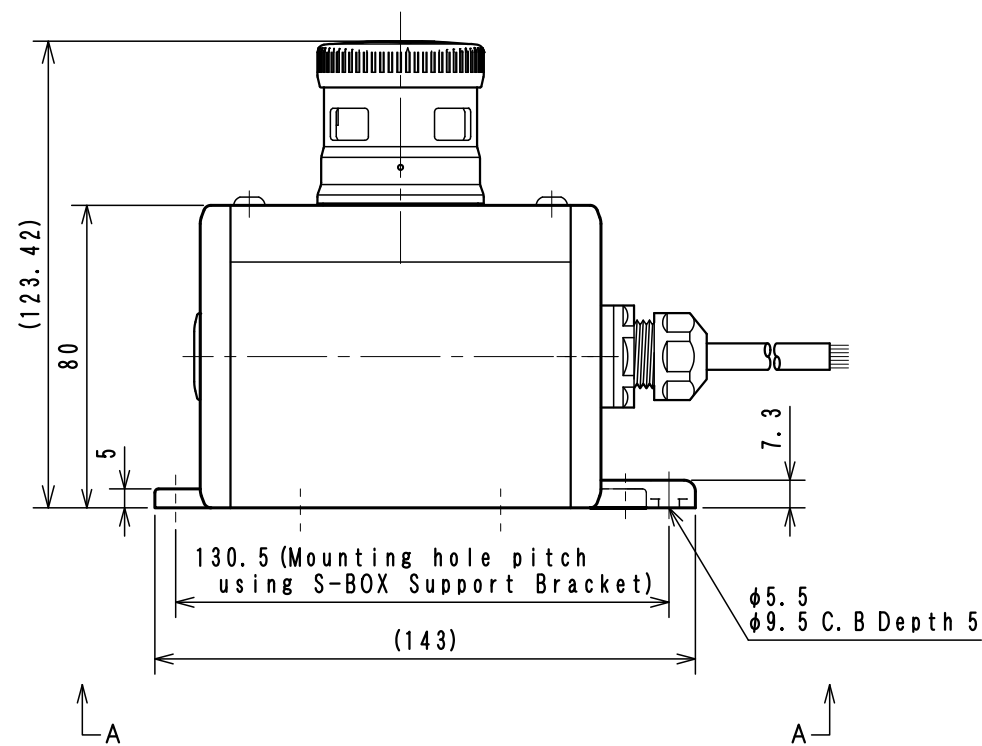
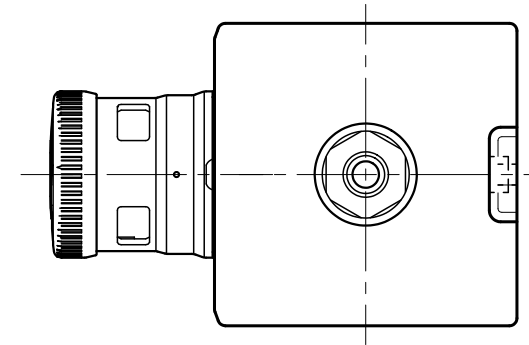
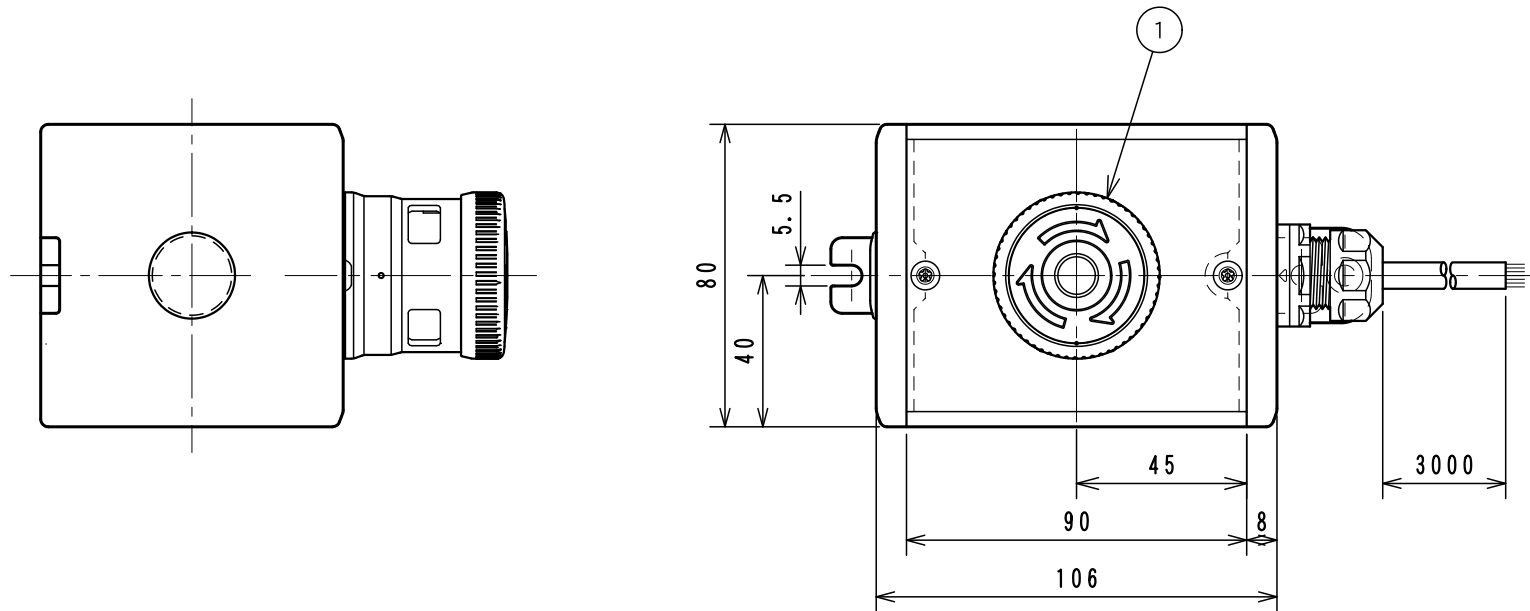


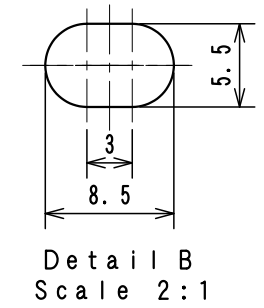
Item No.	Assembly Name
APC-S069	S-8080D LockoutT Switch 3b (F) 1P Bracket 3m

※Attached:S-BOX Support Bracket <D4R-001B>

1	C1S-346R	Emergency Stop Switch (Lighted)	AR30VPL-03EAR
---	----------	---------------------------------	---------------



A-A View
Scale 1:2

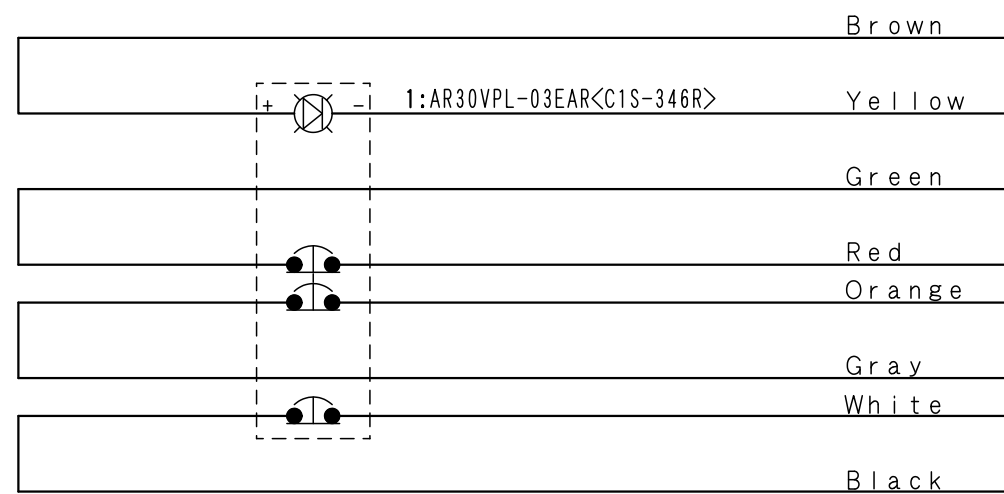


Detail B
Scale 2:1

<Associated drawings>
WCW000872-00

Applicable Item No.	APC-S069
---------------------	----------

No.	Switch Model No.	Item No.
1	AR30VPL-03EAR	C1S-346R



Cable processing detail

