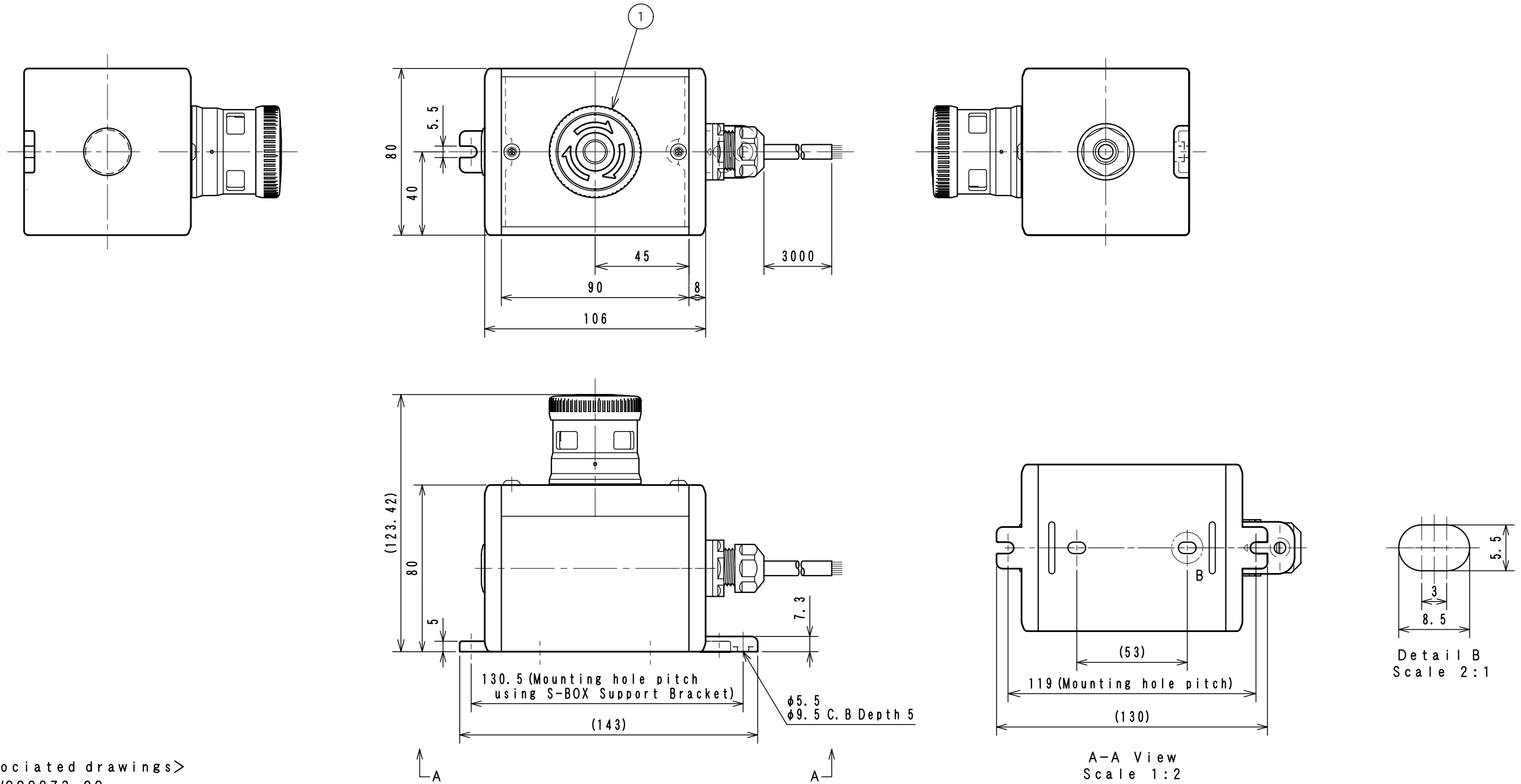


Item No.	Assembly Name
APC-S070	S-8080D Lockout Switch 4b (F) 1P Bracket 3m

※Attached:S-BOX Support Bracket <D4R-001B>

1	C1S-347R	Emergency Stop Switch (Lighted)	AR30VPL-04EAR
---	----------	---------------------------------	---------------



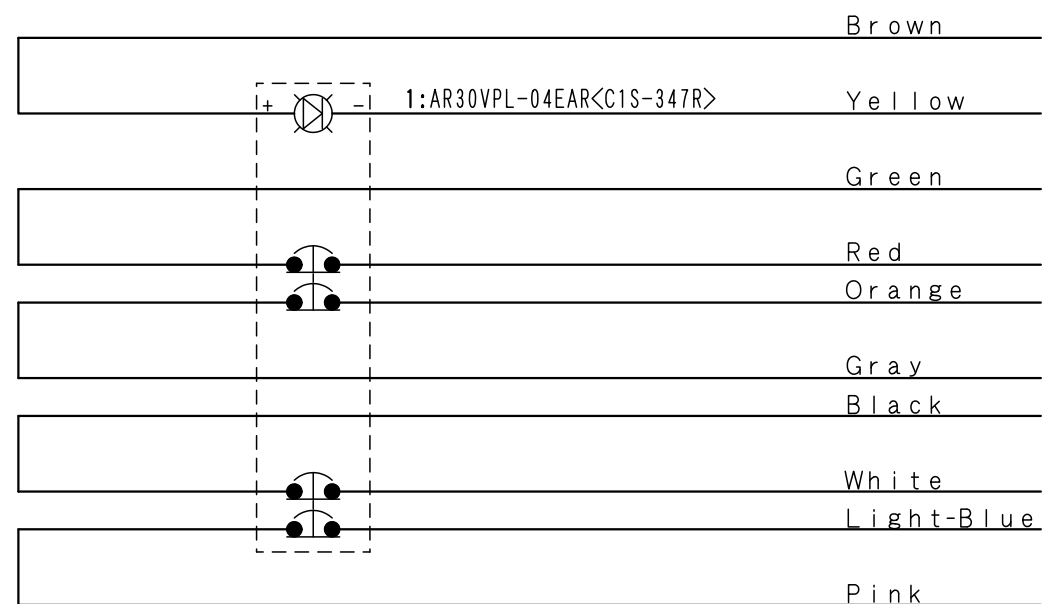
<Associated drawings>  
WCW000873-00

A-A View  
Scale 1:2

Detail B  
Scale 2:1

Applicable Item No.	APC-S070
---------------------	----------

No.	Switch Model No.	Item No.
1	AR30VPL-04EAR	C1S-347R



Cable processing detail

