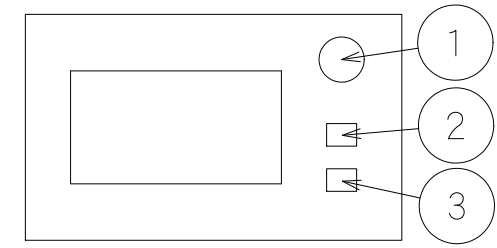


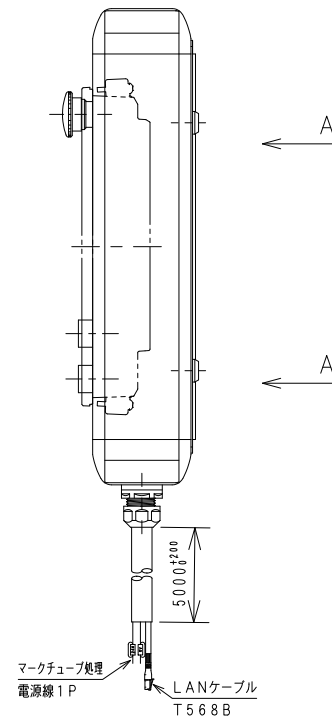
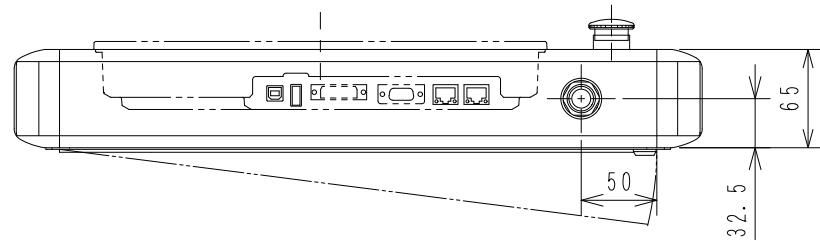
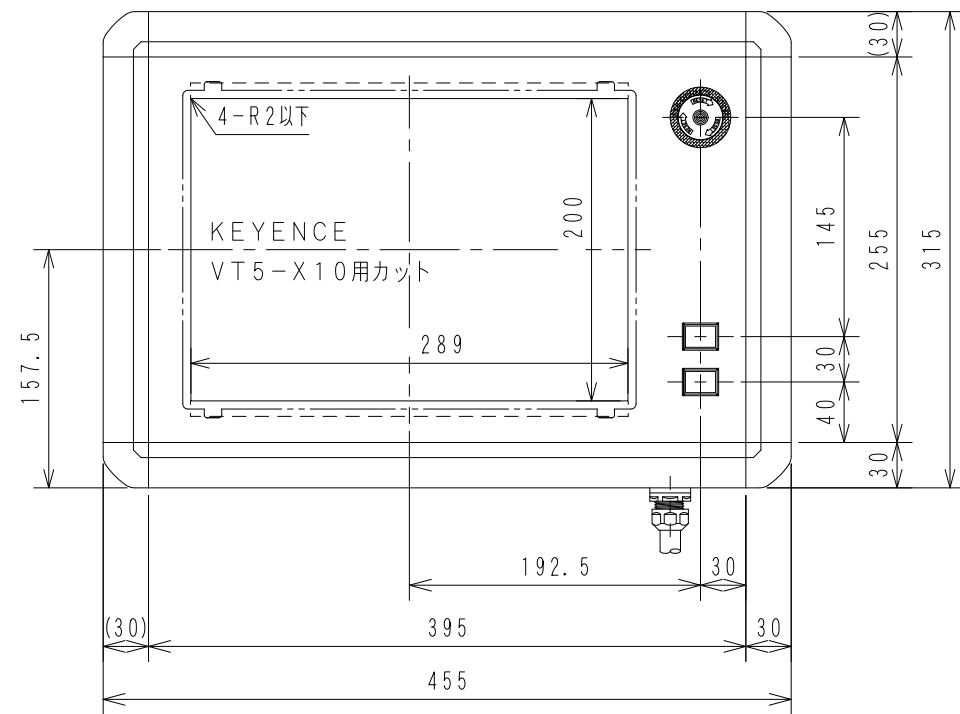
D65

APC-T031

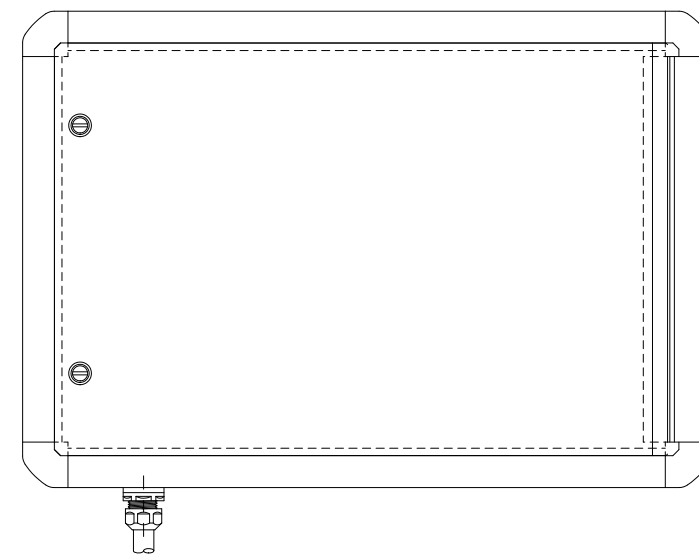
1	C1S-601R	A165E-LS-24D-01
2	C1S-605G	A165L-JGM-24D-1
3	C1S-605R	A165L-JRM-24D-1



スイッチ配置図



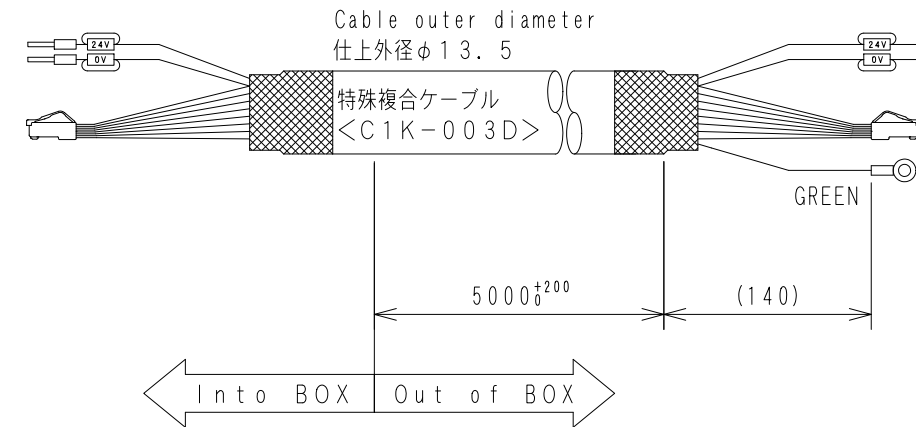
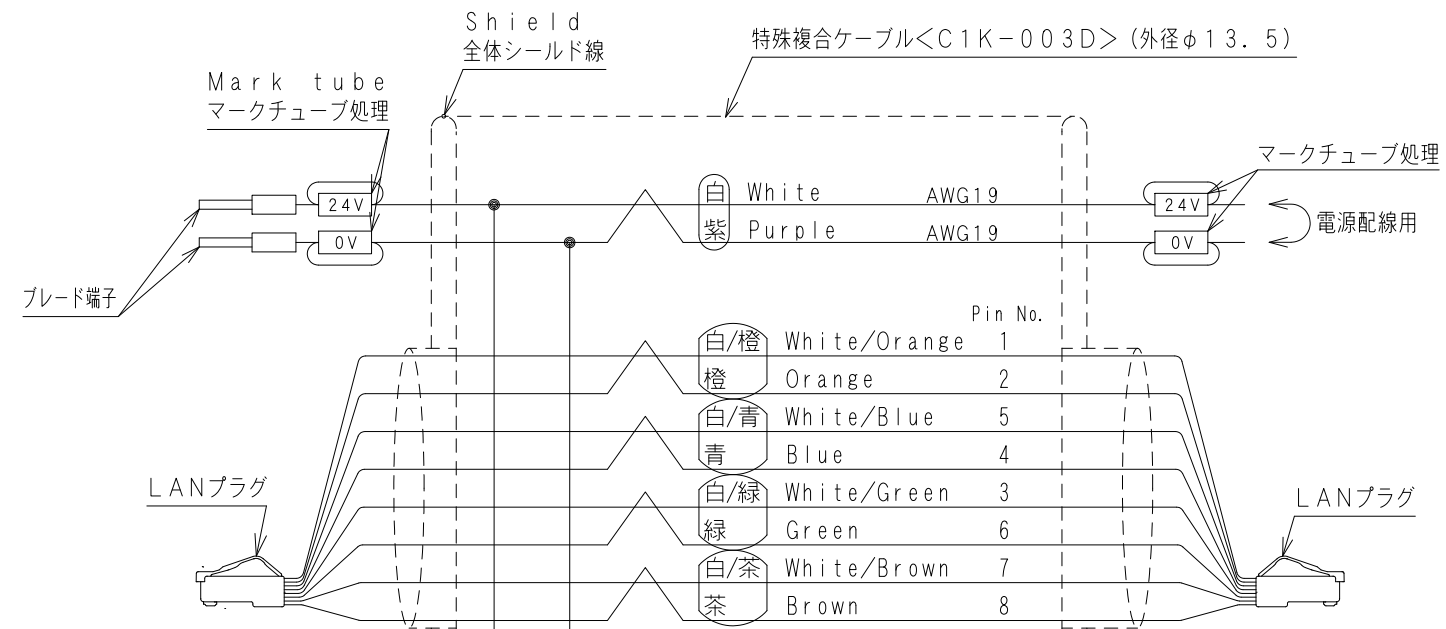
WCW000750-00



A-A VIEW

Applicable Item No. APC-T031

No.	Switch Model No.	Item No.
1	A165E-LS-24D-01	C1S-601R
2	A165L-JGM-24D-1	C1S-605G
3	A165L-JRM-24D-1	C1S-605R



ケーブル処理詳細  
Detail of cable

