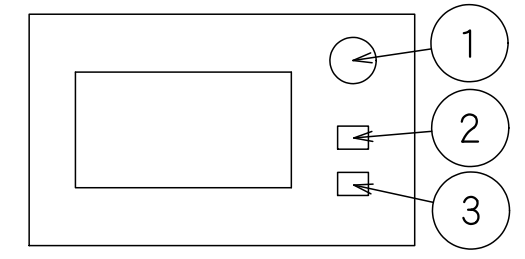
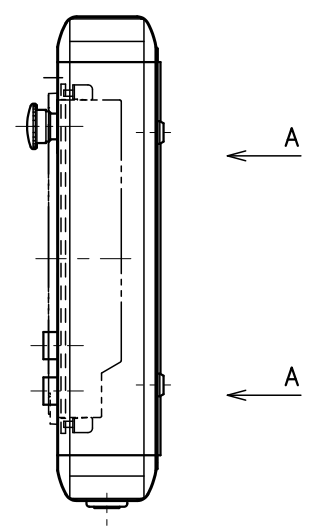
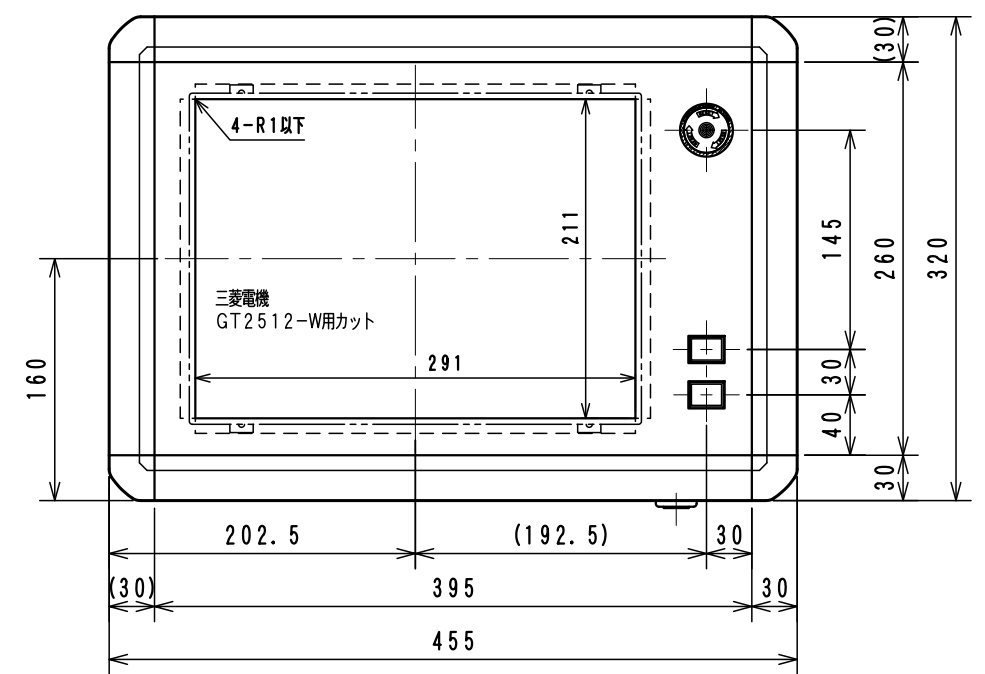
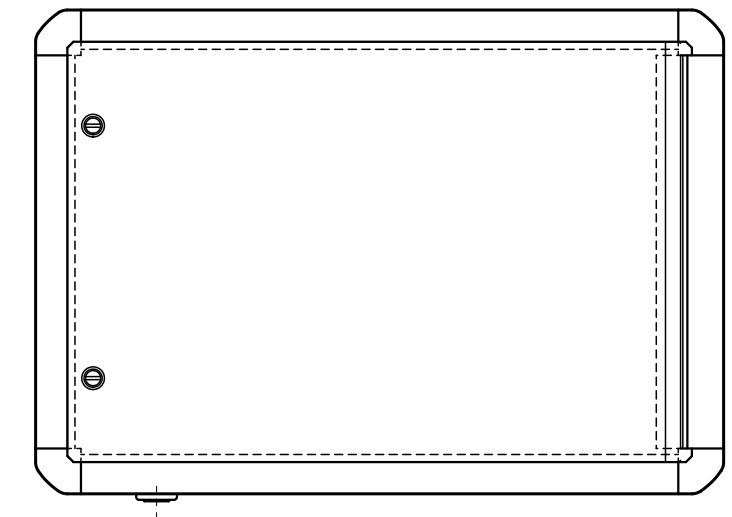
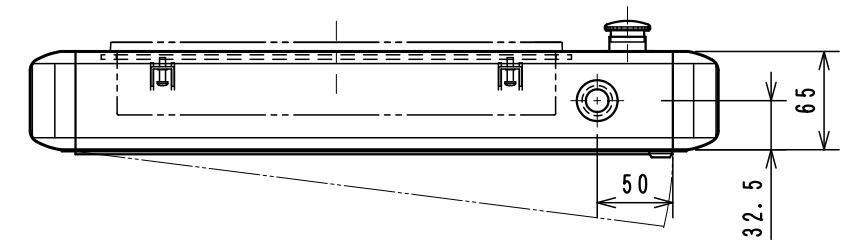


D65
C3B-A55M

1	C1S-601R	A165E-LS-24D-01
2	C1S-605G	A165L-JGM-24D-1
3	C1S-605R	A165L-JRM-24D-1



スイッチ配置図



A-A VIEW