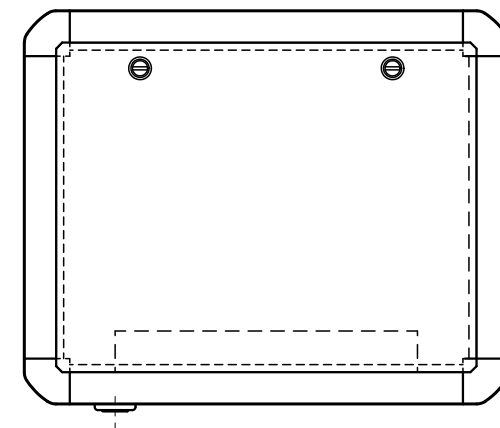
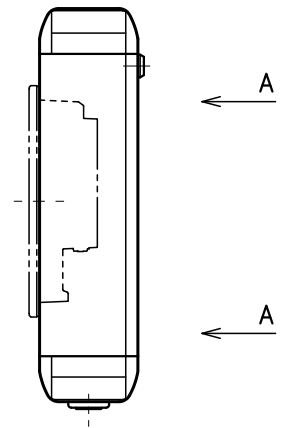
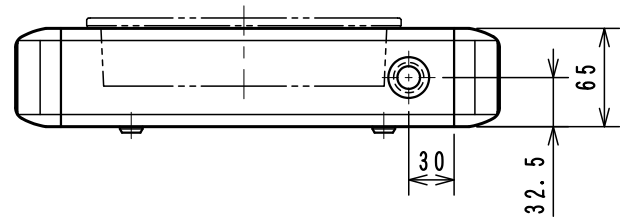
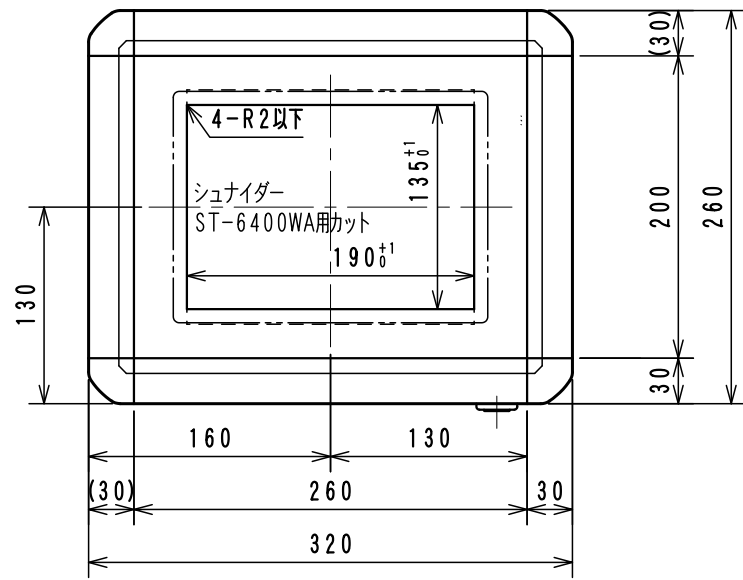


D 6 5
C 3 B - A 6 2 D



A-A VIEW