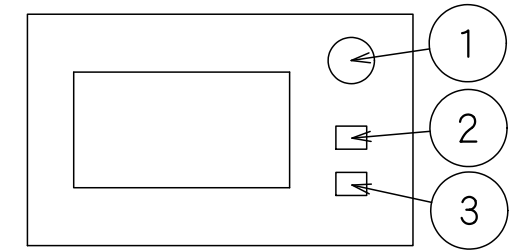
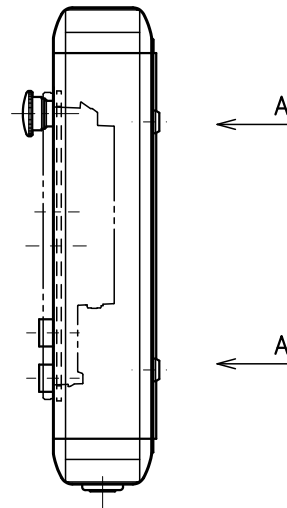
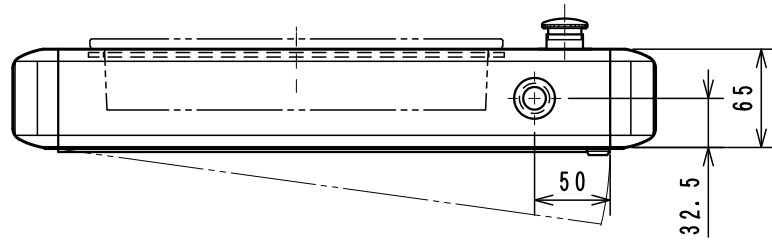
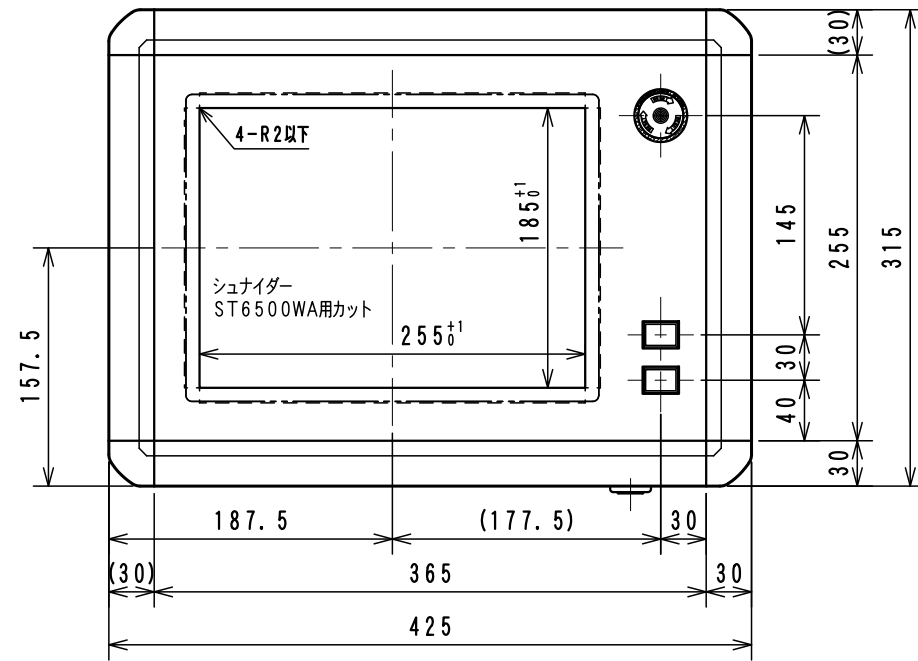
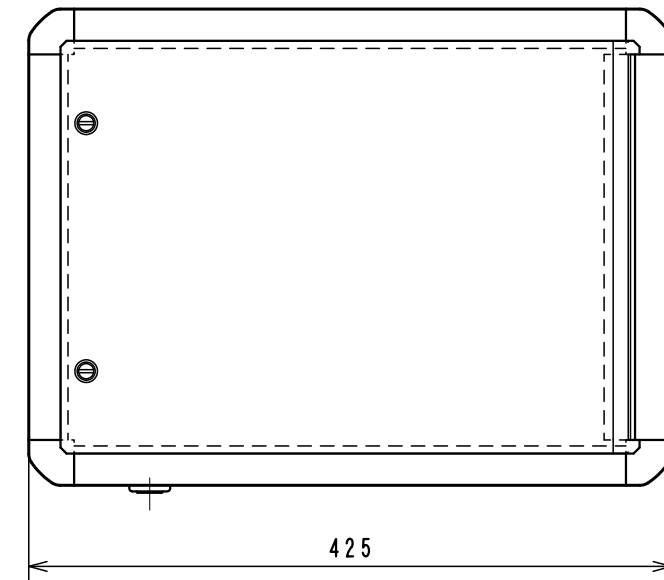


D 6 5
C 3 B - A 7 5 D

| | | |
|---|----------|-----------------|
| 1 | C1S-601R | A165E-LS-24D-01 |
| 2 | C1S-605G | A165L-JGM-24D-1 |
| 3 | C1S-605R | A165L-JRM-24D-1 |



スイッチ配置図



A-A VIEW