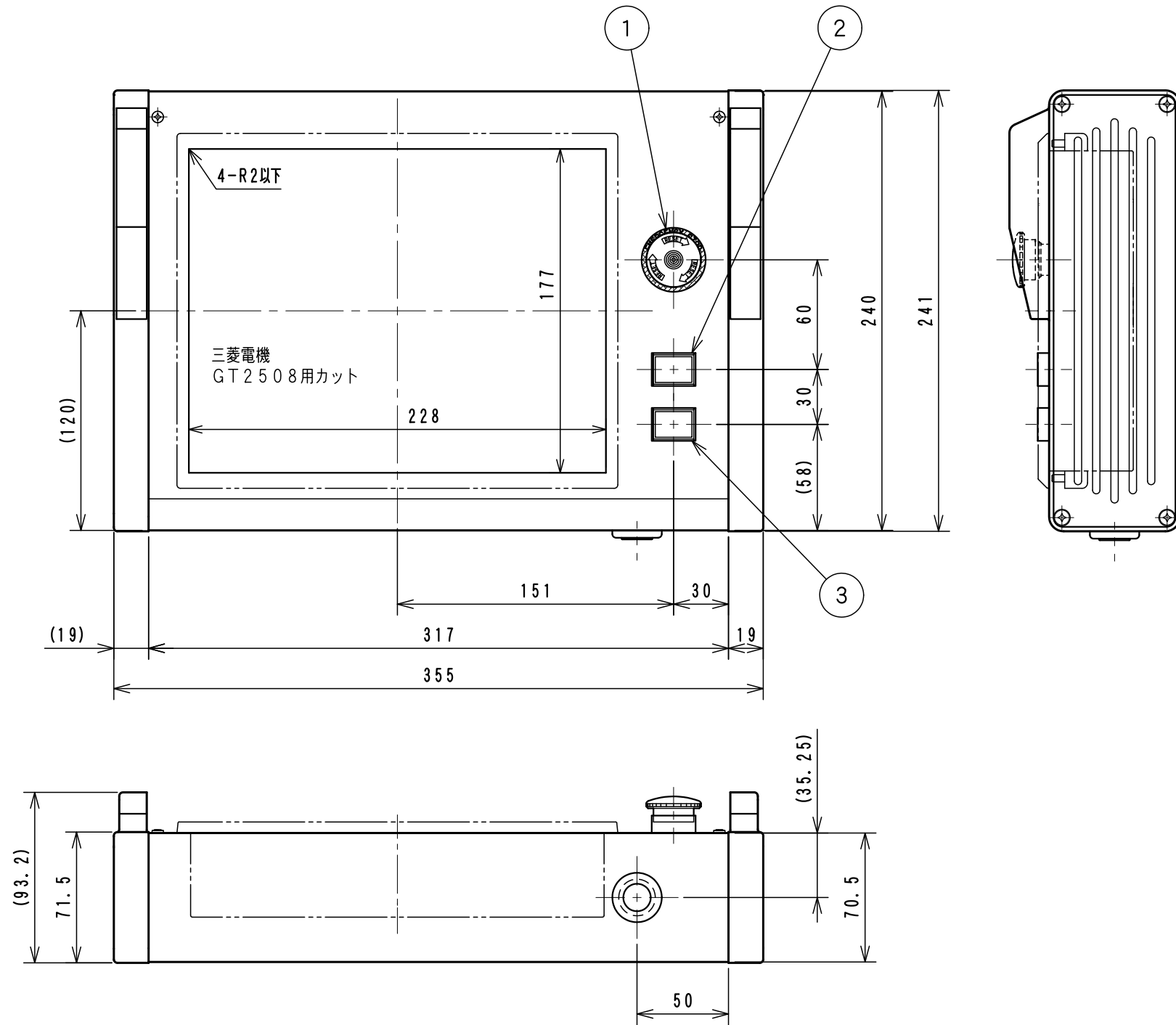


Item No.	Assembly Name
N2B-P4MG	T-H240PGT2508スイッチ付G



①	非常停止 A165E-LS-24D-01	OMRON	C1S-601R	1
②	押釦 A165L-JGM-24D-1	OMRON	C1S-605G	1
③	押釦 A165L-JRM-24D-1	OMRON	C1S-605R	1