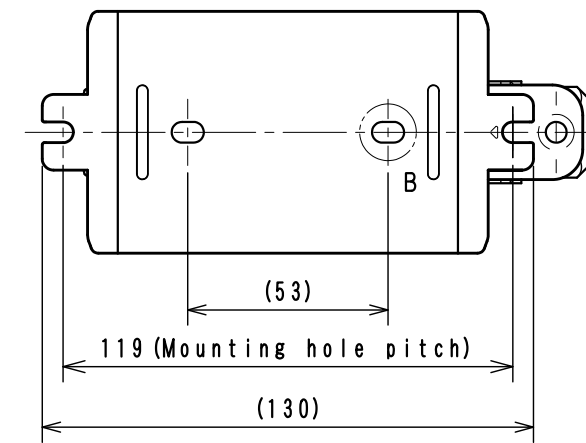
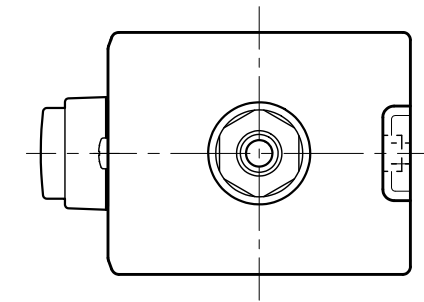
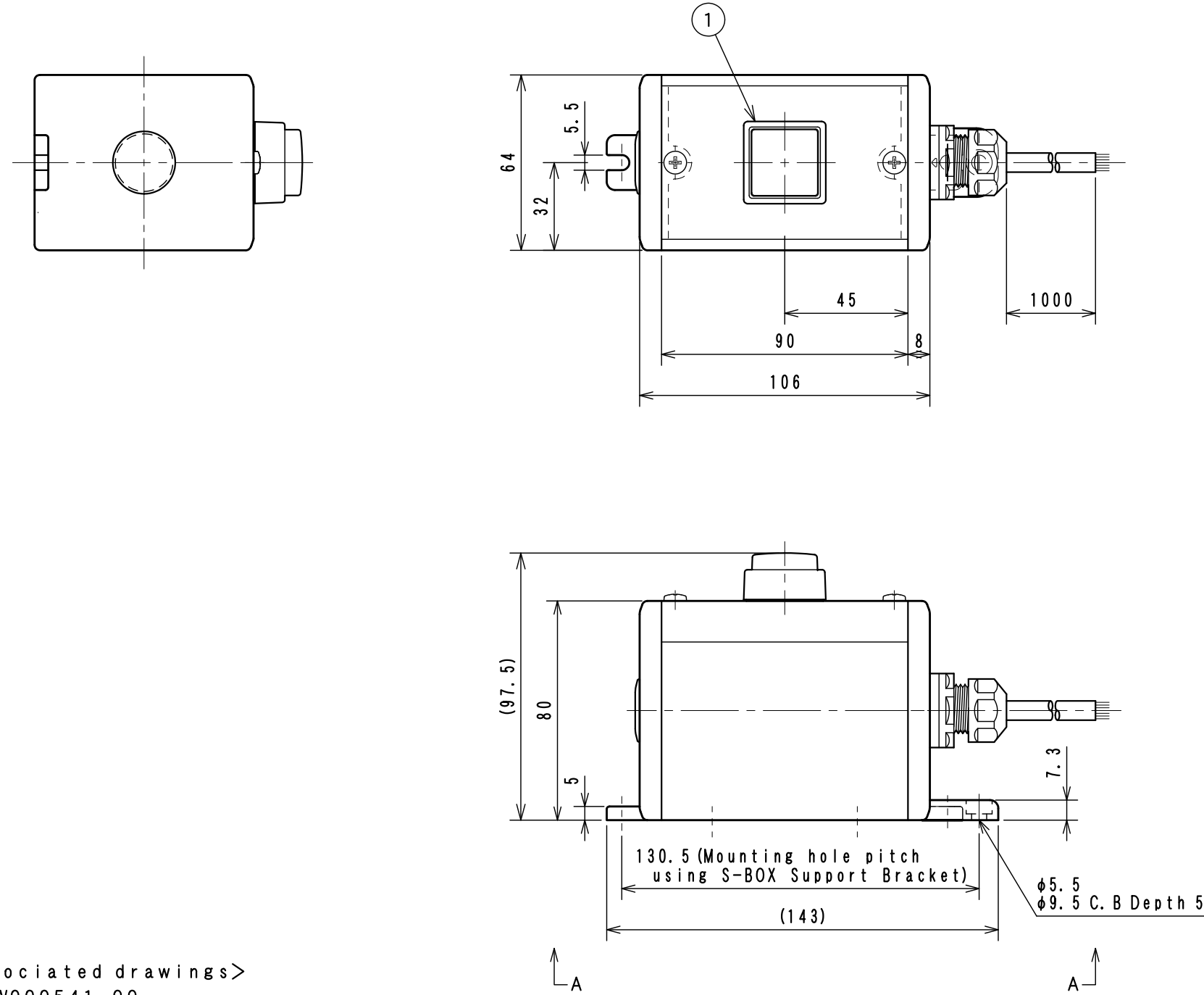


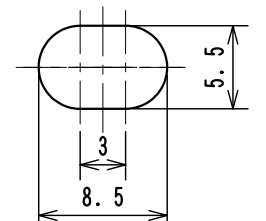
Item No.	Assembly Name
NJC-10C	S-6480D Switch 1S (G) / 1m 1P+SB

※Attached: S-BOX Support Bracket <D4R-001B>

1	C1S-246G	Pushbutton Switch(Lighted) AR22E0M-11E3G
---	----------	--



A-A View
Scale 1:2

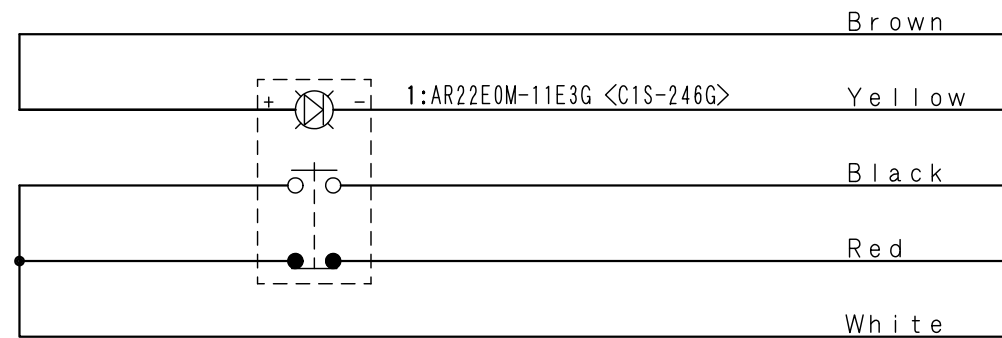


Detail B
Scale 2:1

<Associated drawings>
WCW000541-00

Applicable Item No.	NJC-10C
	NJC-11C
	NJC-12C

No.	Switch Model No.	Item No.
1	AR22E0M-11E3G	C1S-246G



Cable processing detail

