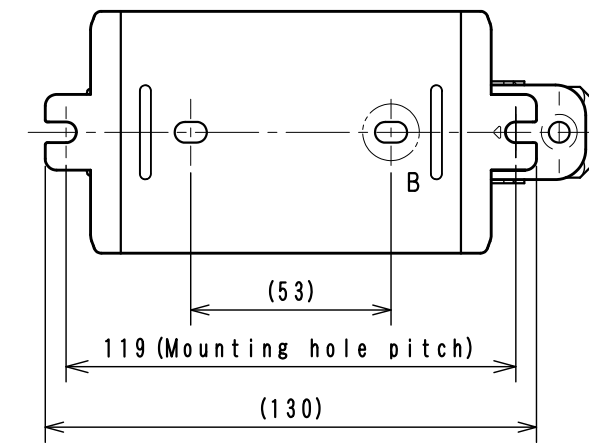
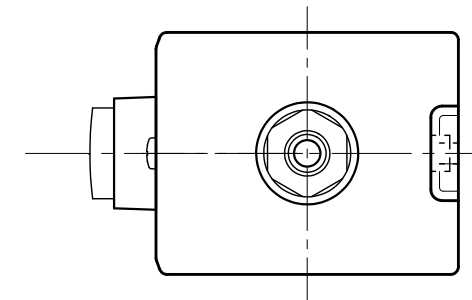
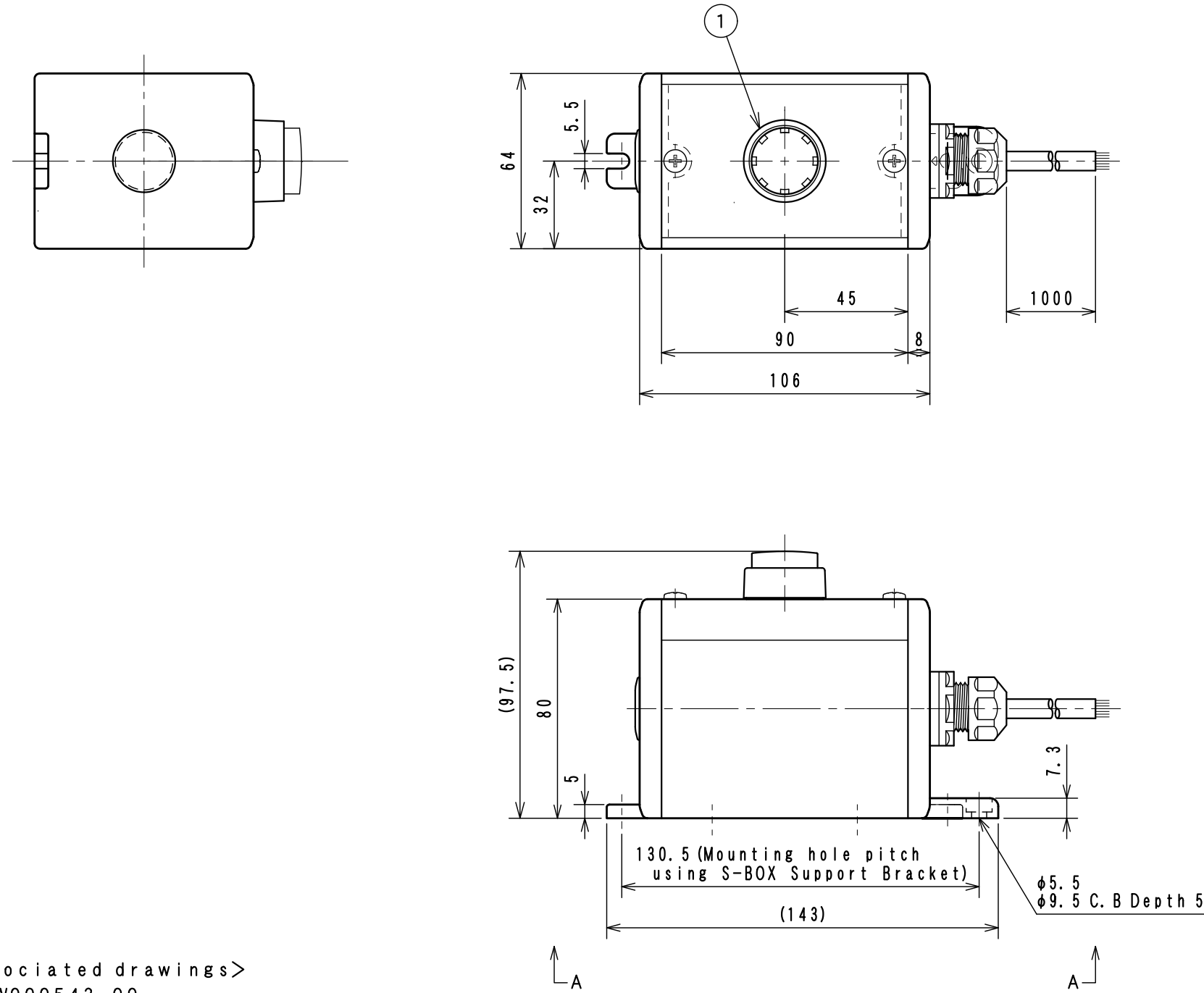


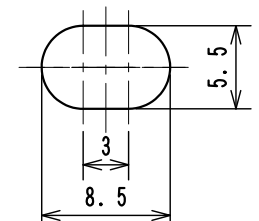
Item No.	Assembly Name
NJC-10E	S-6480D Switch 1R (G) / 1m 1P+SB

※Attached: S-BOX Support Bracket <D4R-001B>

1	C1S-233G	Pushbutton Switch(Lighted) AR22E0L-11E3G
---	----------	--



A-A View
Scale 1:2

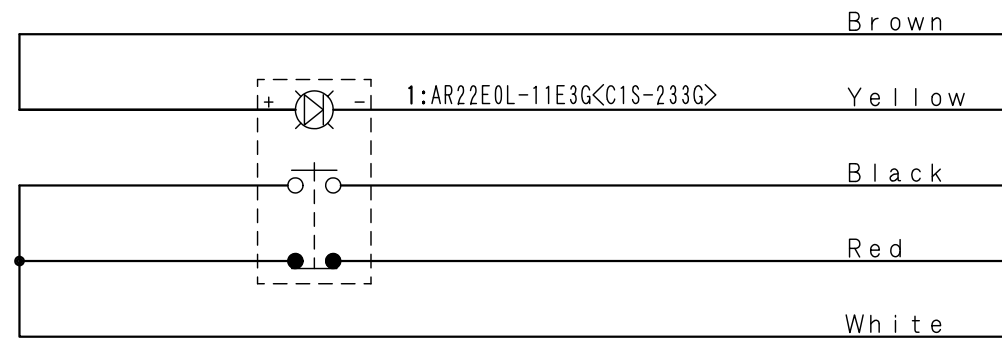


Detail B
Scale 2:1

<Associated drawings>
WCW000543-00

Applicable Item No.	NJC-10E
	NJC-11E
	NJC-12E

No.	Switch Model No.	Item No.
1	AR22E0L-11E3G	C1S-233G



Cable processing detail

