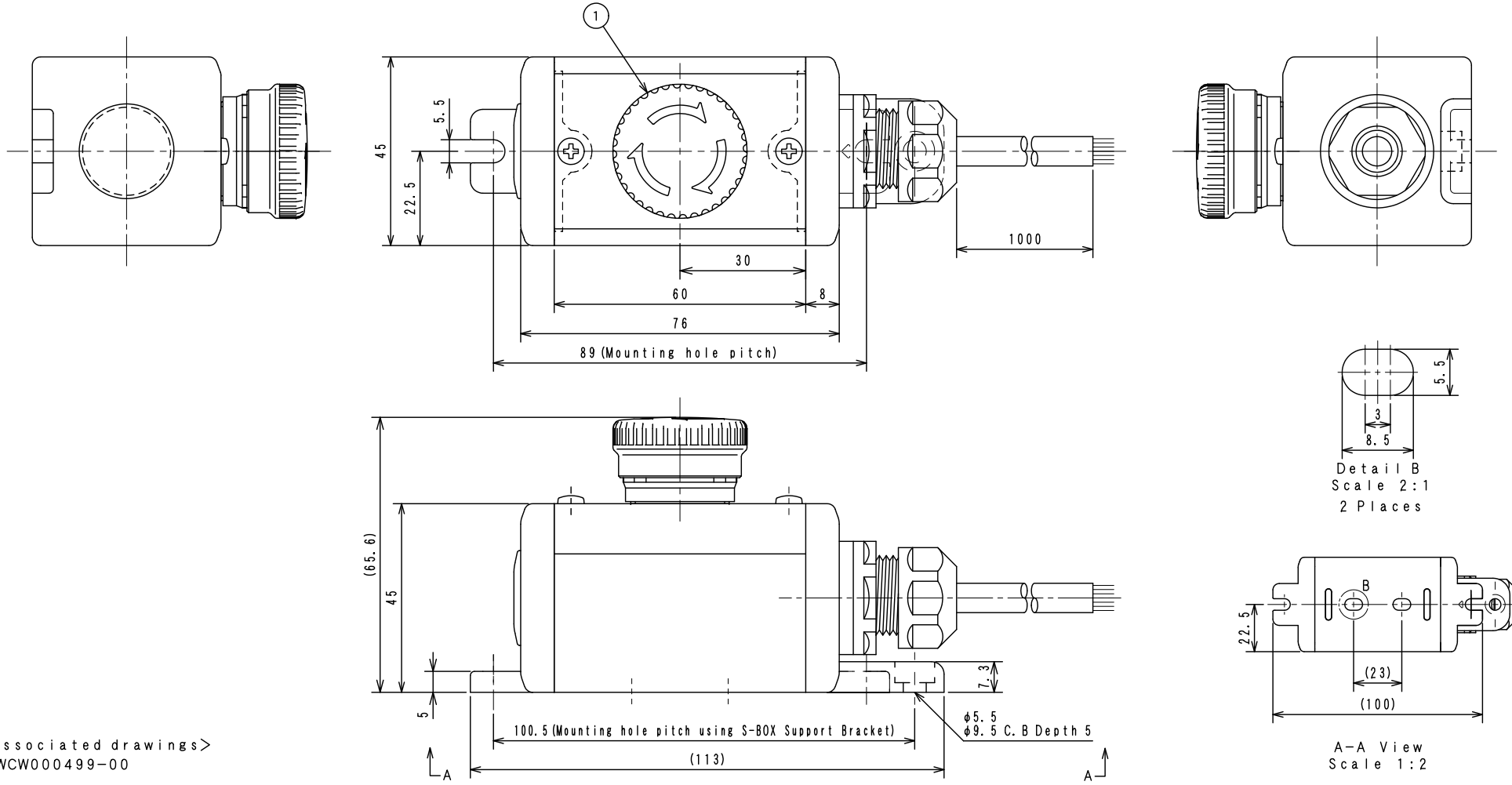


Item No.
NJC-111

1	C1S-757R	Emergency Stop Switch (Lighted)	AR16VOL-02E3R
---	----------	---------------------------------	---------------

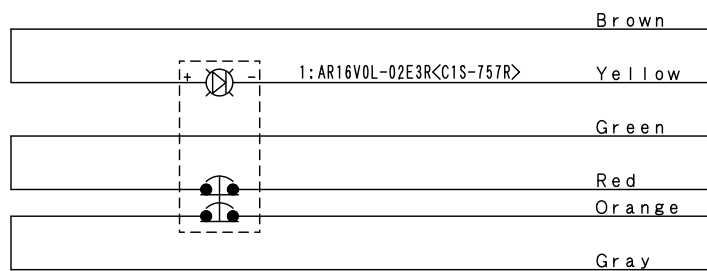
※Attached: S-BOX Support Bracket <D4R-001B>



<Associated drawings>  
WCW000499-00

Applicable Item No.	NJC-111
---------------------	---------

No.	Switch Model No.	Item No.
1	AR16V0L-02E3R	C1S-757R



Cable processing detail

