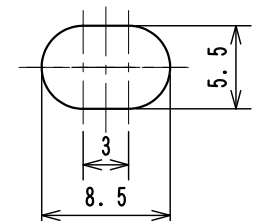
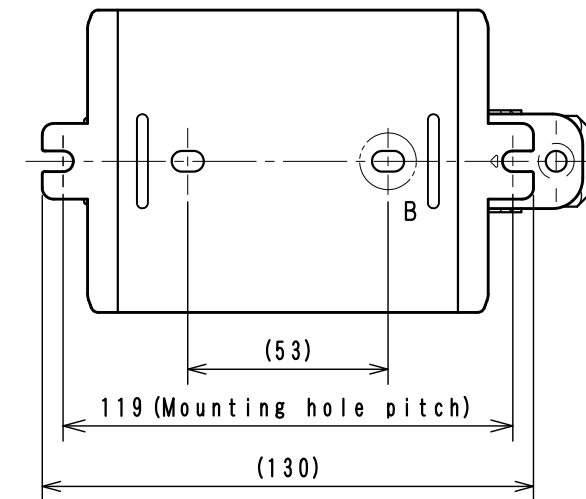
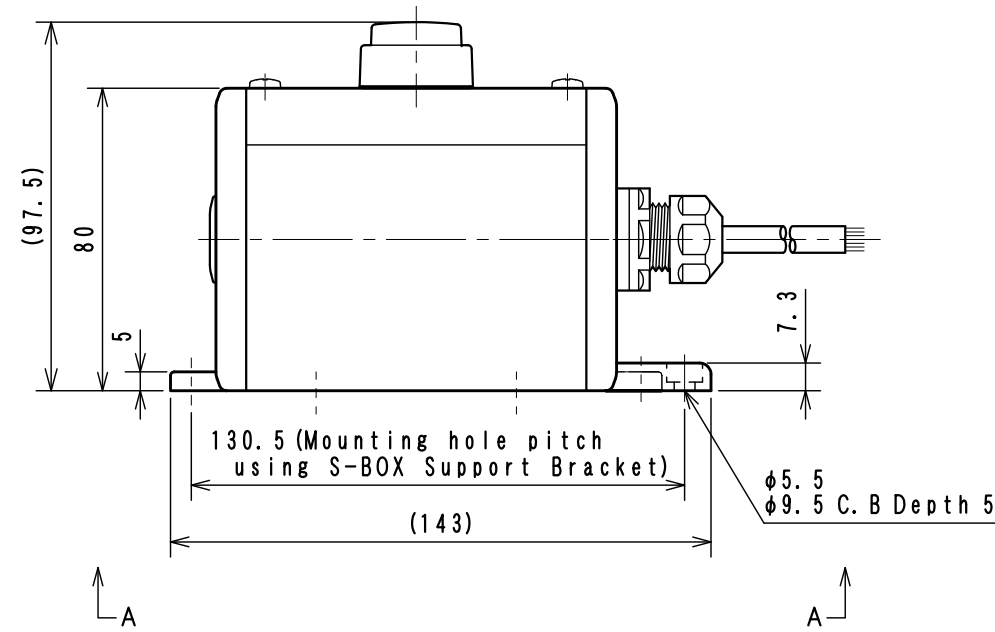
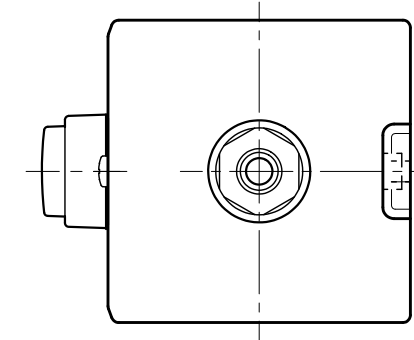
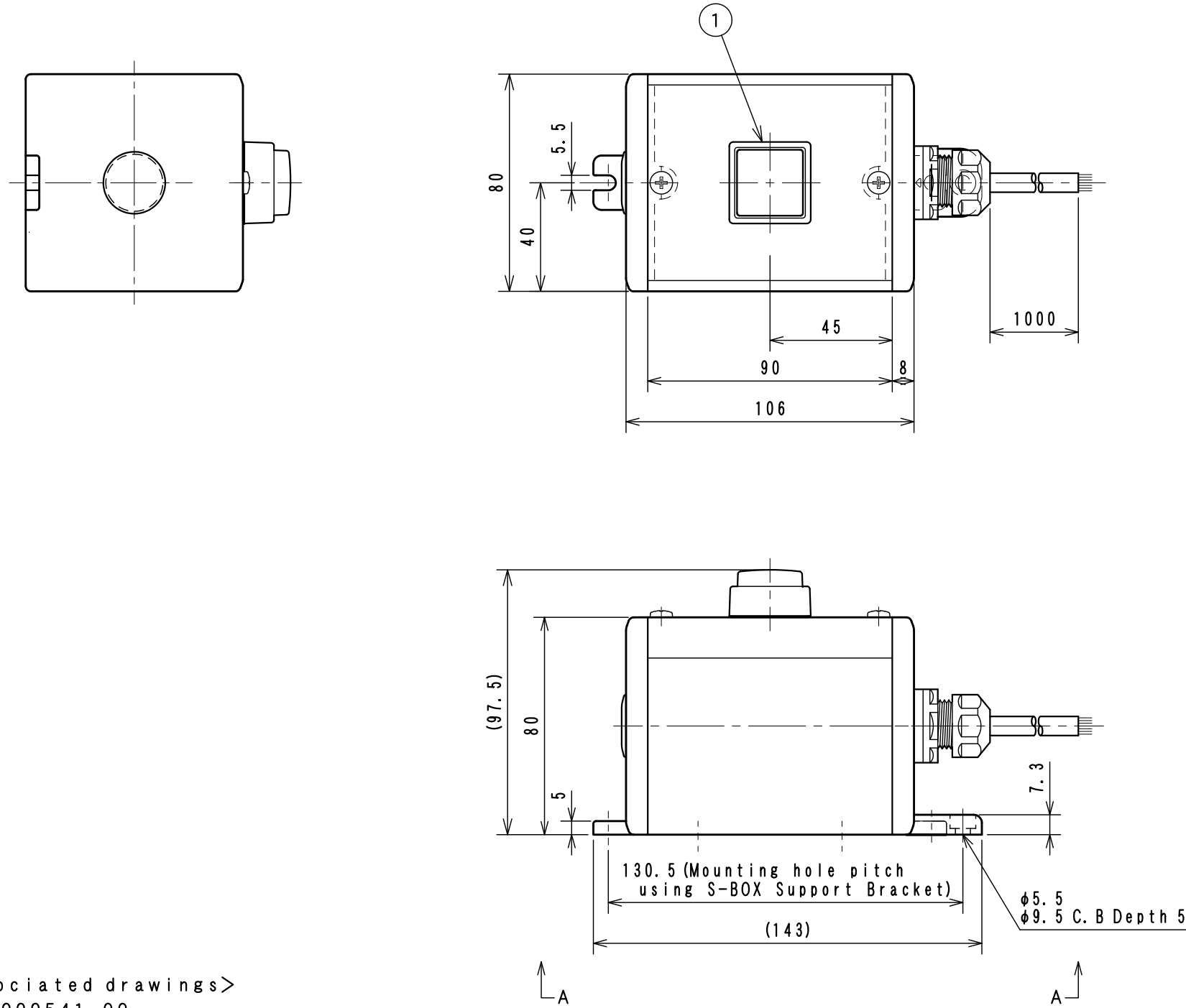


Item No.	Assembly Name
NJC-11C	S-8080D Switch1S (G) /1m 1P+SB

※Attached: S-BOX Support Bracket <D4R-001B>

1	C1S-246G	Pushbutton Switch(Lighted)	AR22E0M-11E3G
---	----------	----------------------------	---------------



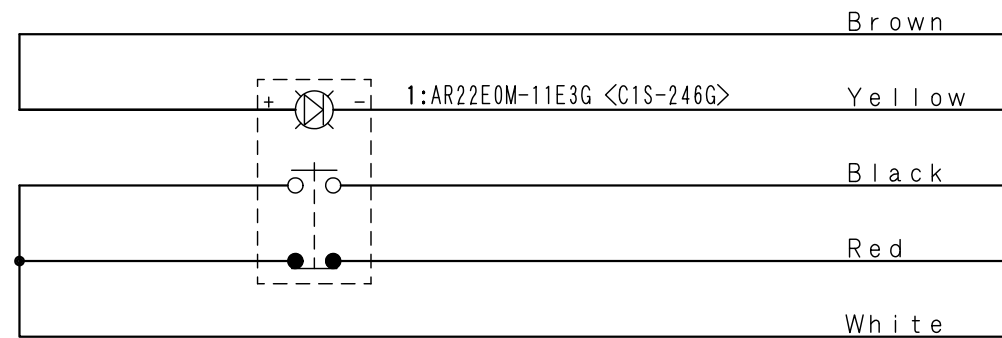
Detail B
Scale 2:1

A-A View
Scale 1:2

<Associated drawings>
WCW000541-00

Applicable Item No.	NJC-10C
	NJC-11C
	NJC-12C

No.	Switch Model No.	Item No.
1	AR22E0M-11E3G	C1S-246G



Cable processing detail

