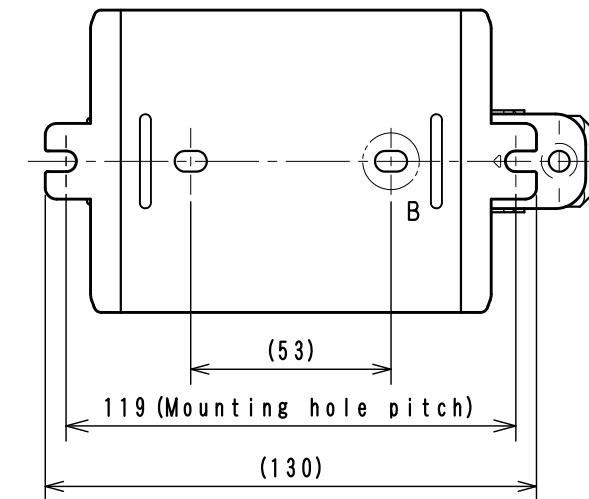
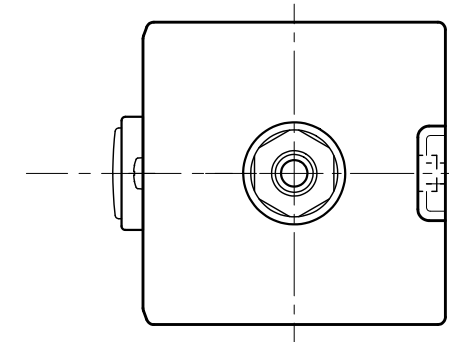
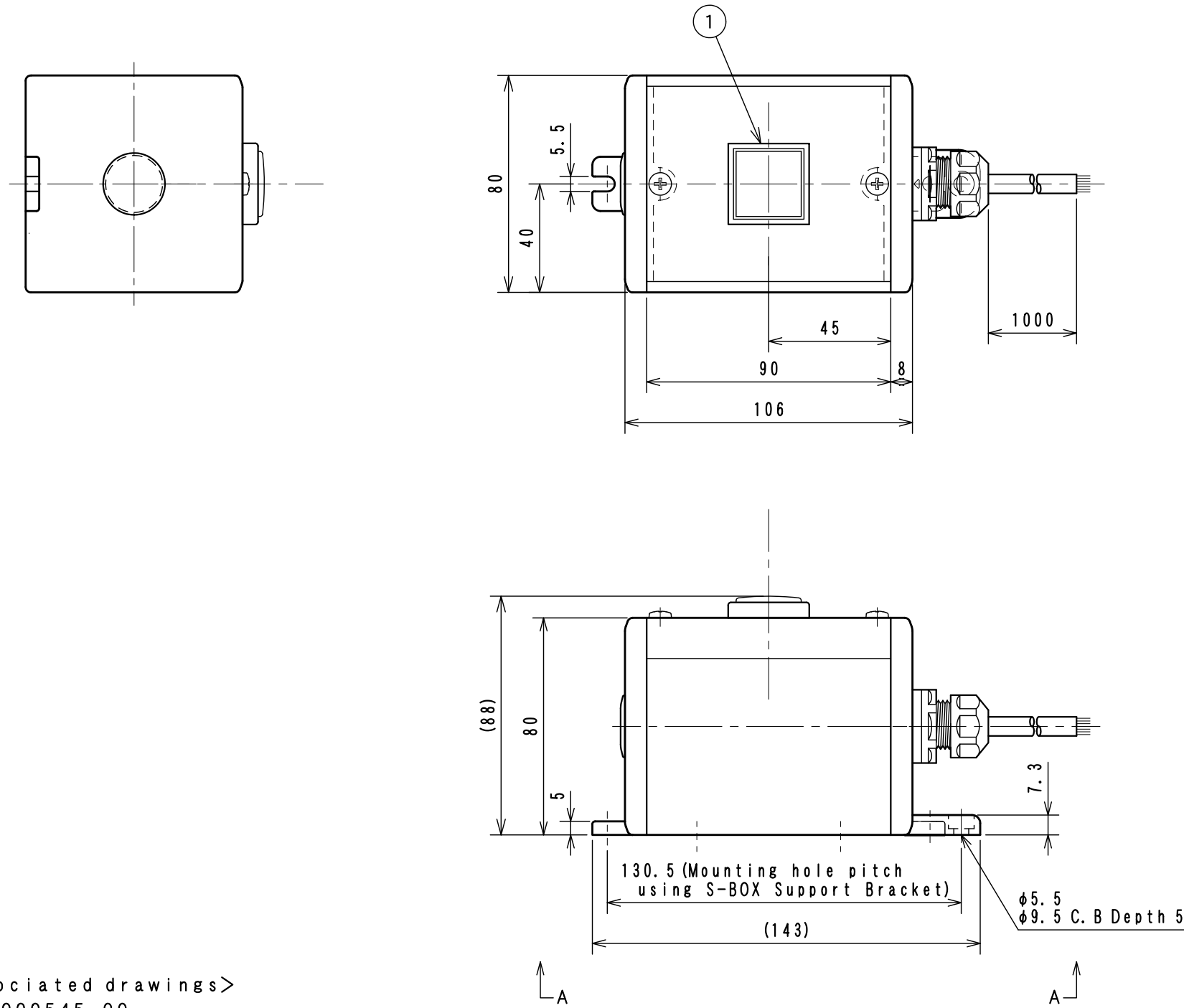


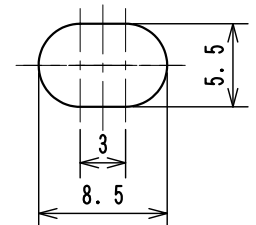
Item No.	Assembly Name
NJC-11G	S-8080D Switch1I (G) /1m 1P+SB

※Attached: S-BOX Support Bracket <D4R-001B>

1	C1S-238G	Indicator DR22F3M-E3G
---	----------	-----------------------



A-A View
Scale 1:2



Detail B
Scale 2:1

<Associated drawings>
WCW000545-00

Applicable Item No.	NJC-10G
	NJC-11G
	NJC-12G

No.	Switch Model No.	Item No.
1	DR22F3M-E3G	C1S-238G

Cable processing detail

