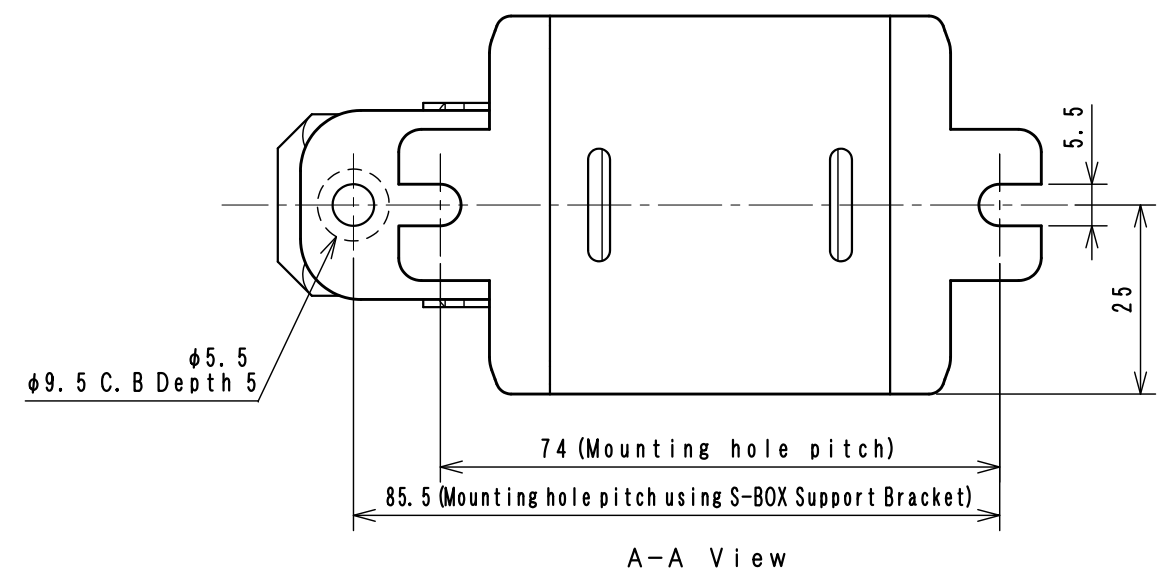
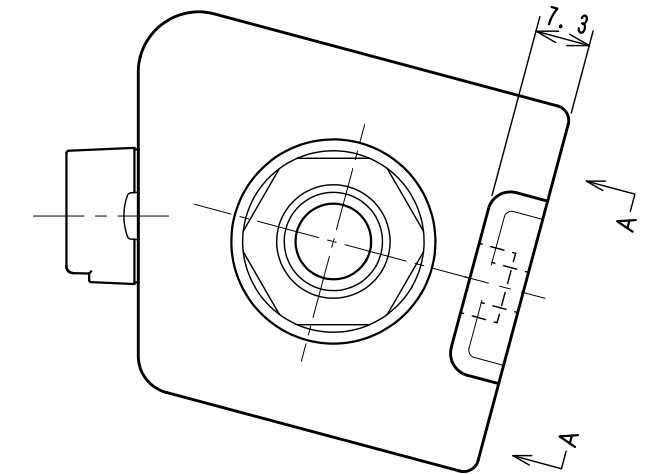
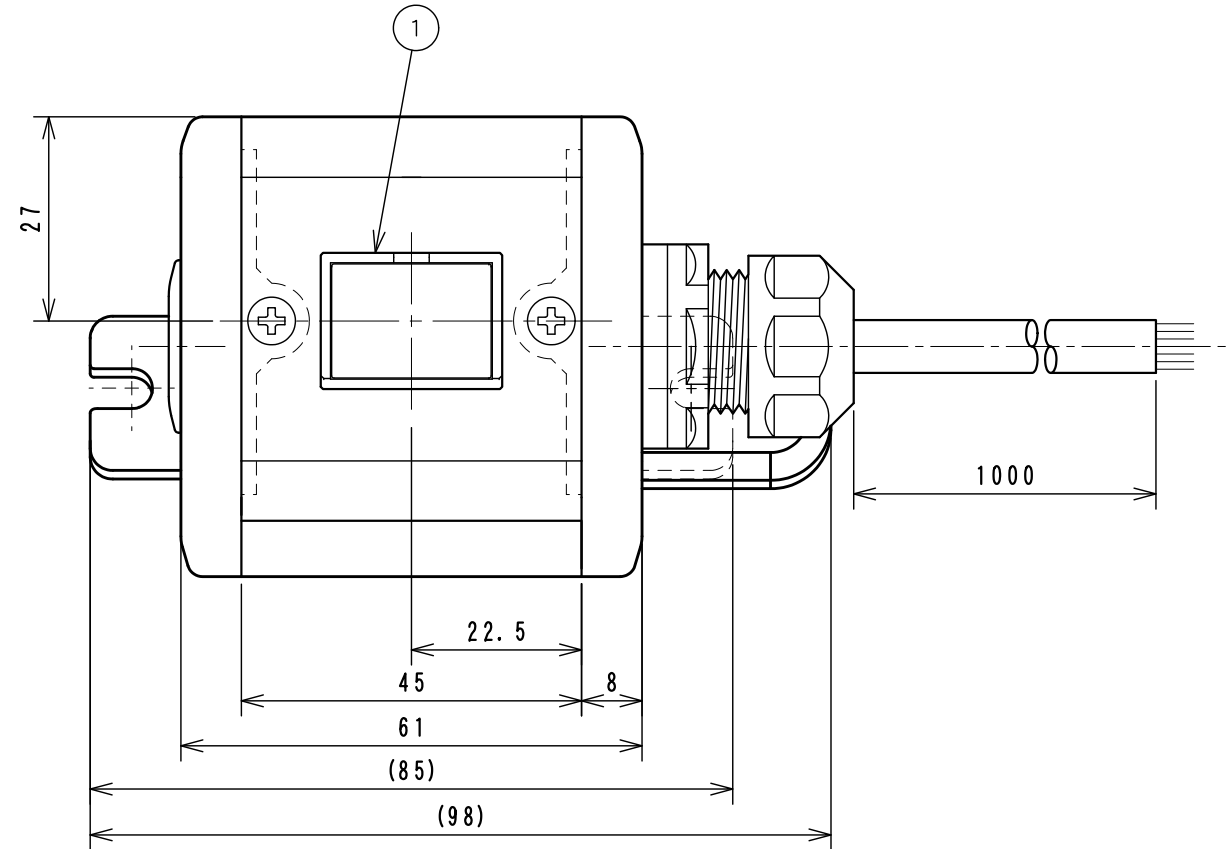
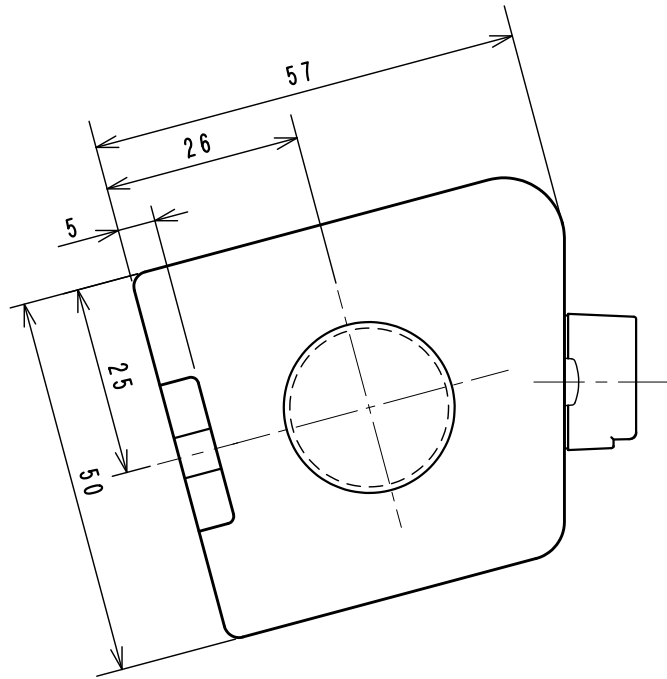


Item No.	Assembly Name
NJC-125	S-5057D Switch 1S (G) /1m 1P+SB

※Attached: S-BOX Support Bracket <D4R-001B>

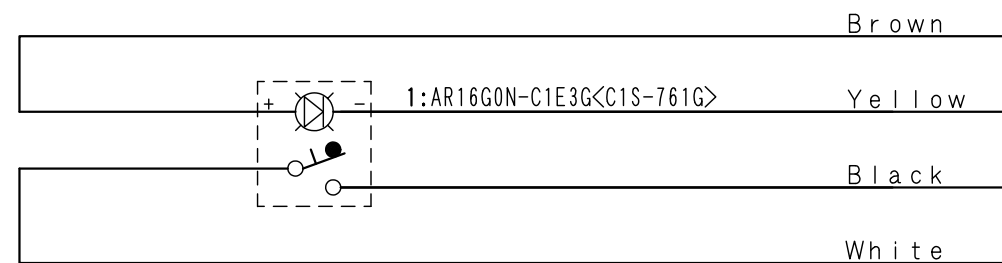
1	C1S-761G	Pushbutton Switch(Lighted) AR16G0N-C1E3G
---	----------	--



<Associated drawings>
WCW000503-01

Applicable Item No.	NJC-115
	NJC-125

No.	Switch Model No.	Item No.
1	AR16G0N-C1E3G	C1S-761G



Cable processing detail

