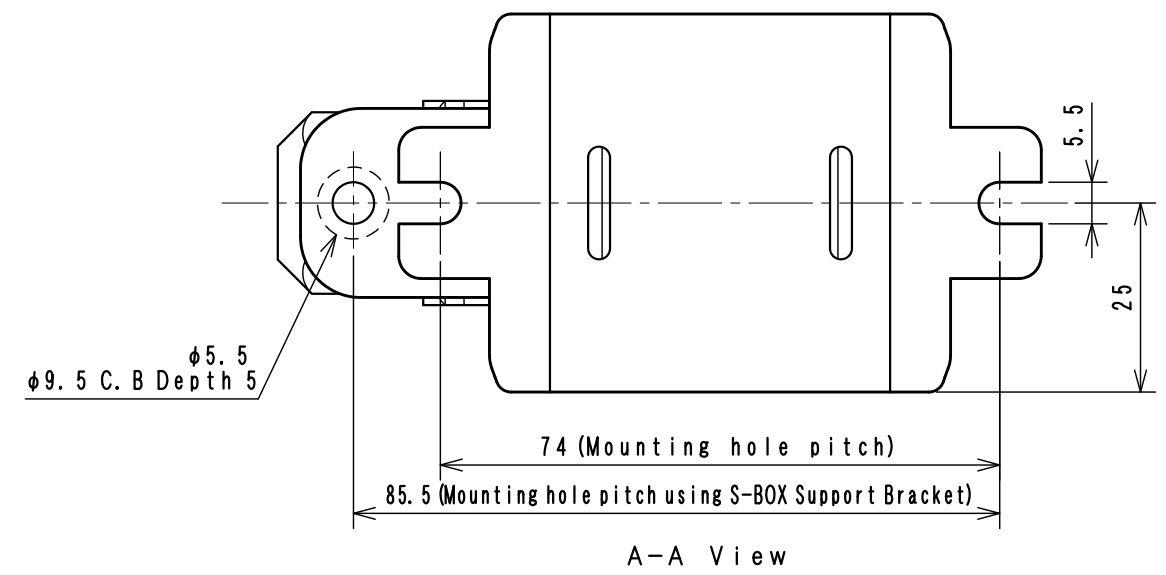
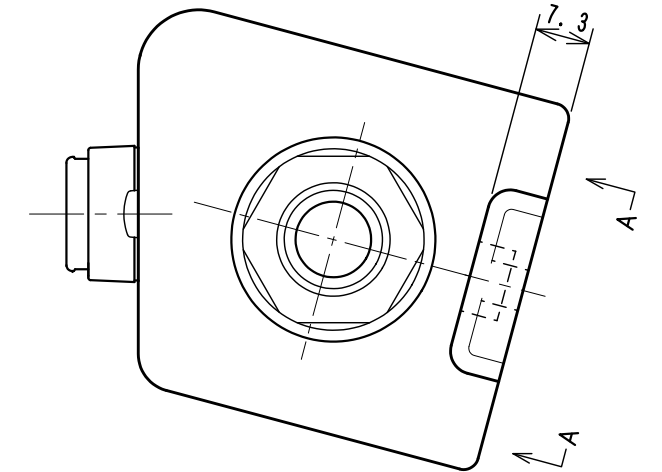
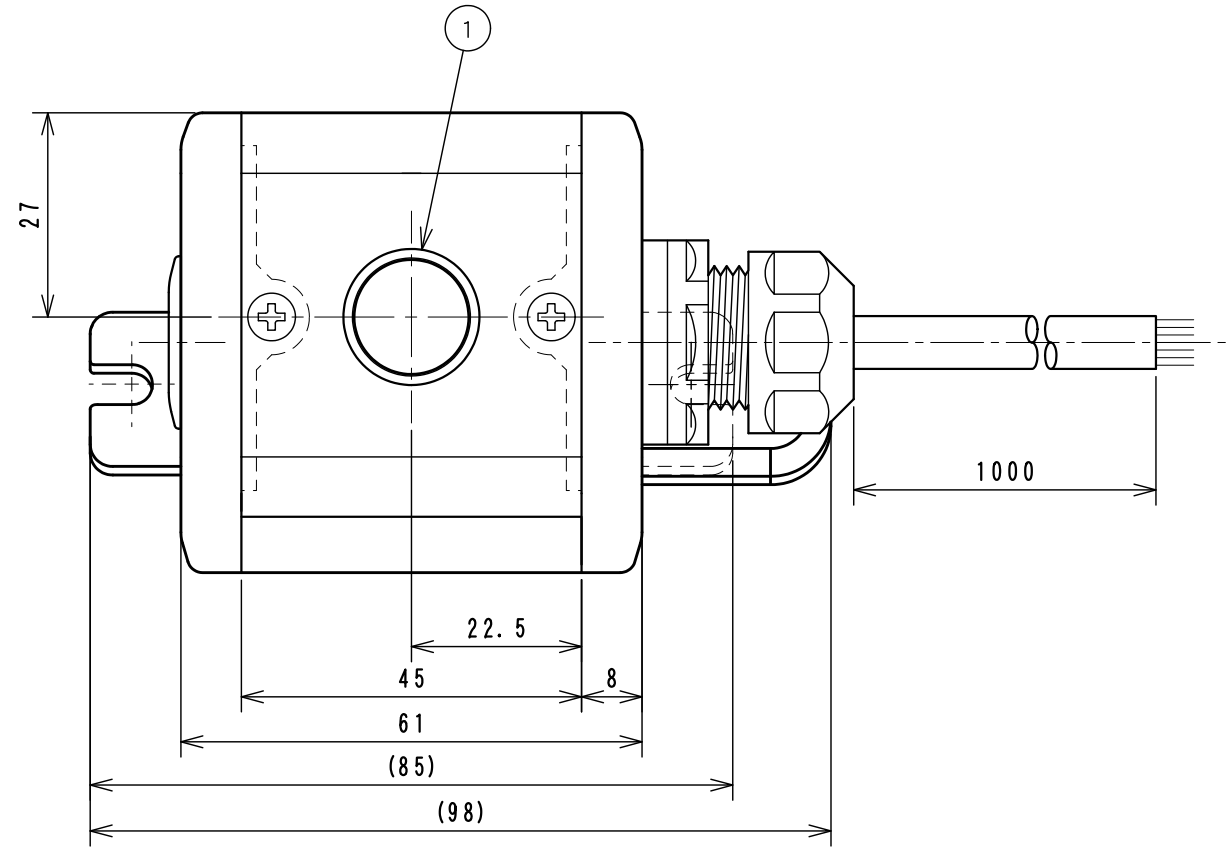
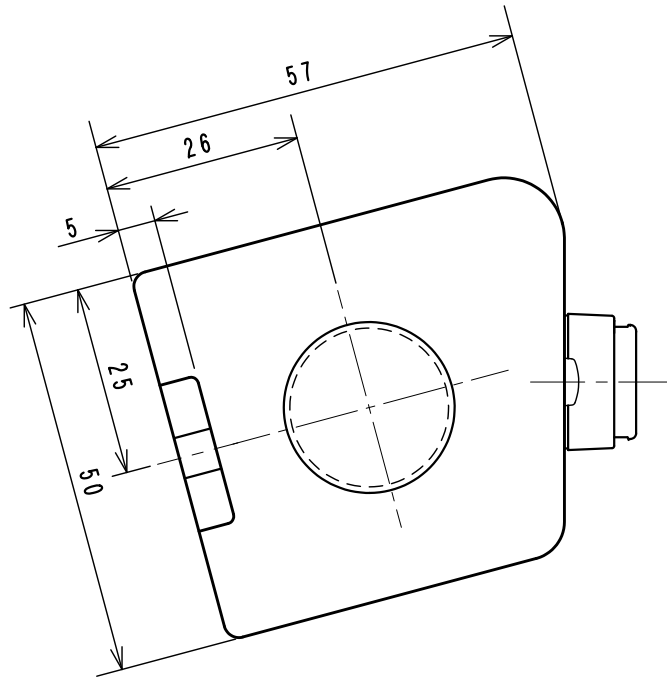


Item No.	Assembly Name
NJC-127	S-5057D Switch 1R (G) /1m 1P+SB

※Attached: S-BOX Support Bracket <D4R-001B>

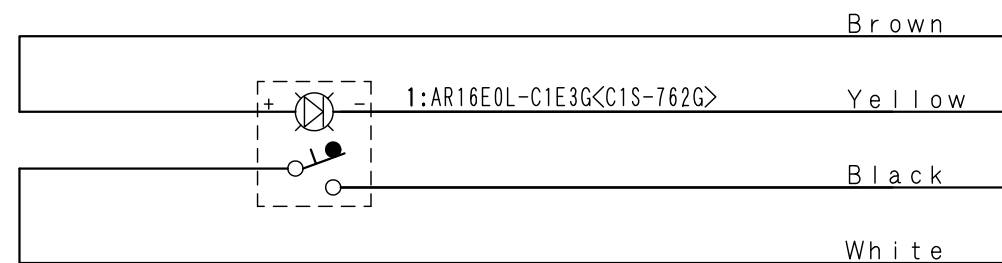
1	C1S-762G Pushbutton Switch(Lighted) AR16E0L-C1E3G
---	---



<Associated drawings>
WCW000505-01

Applicable Item No.	NJC-117
	NJC-127

No.	Switch Model No.	Item No.
1	AR16E0L-C1E3G	C1S-762G



Cable processing detail

