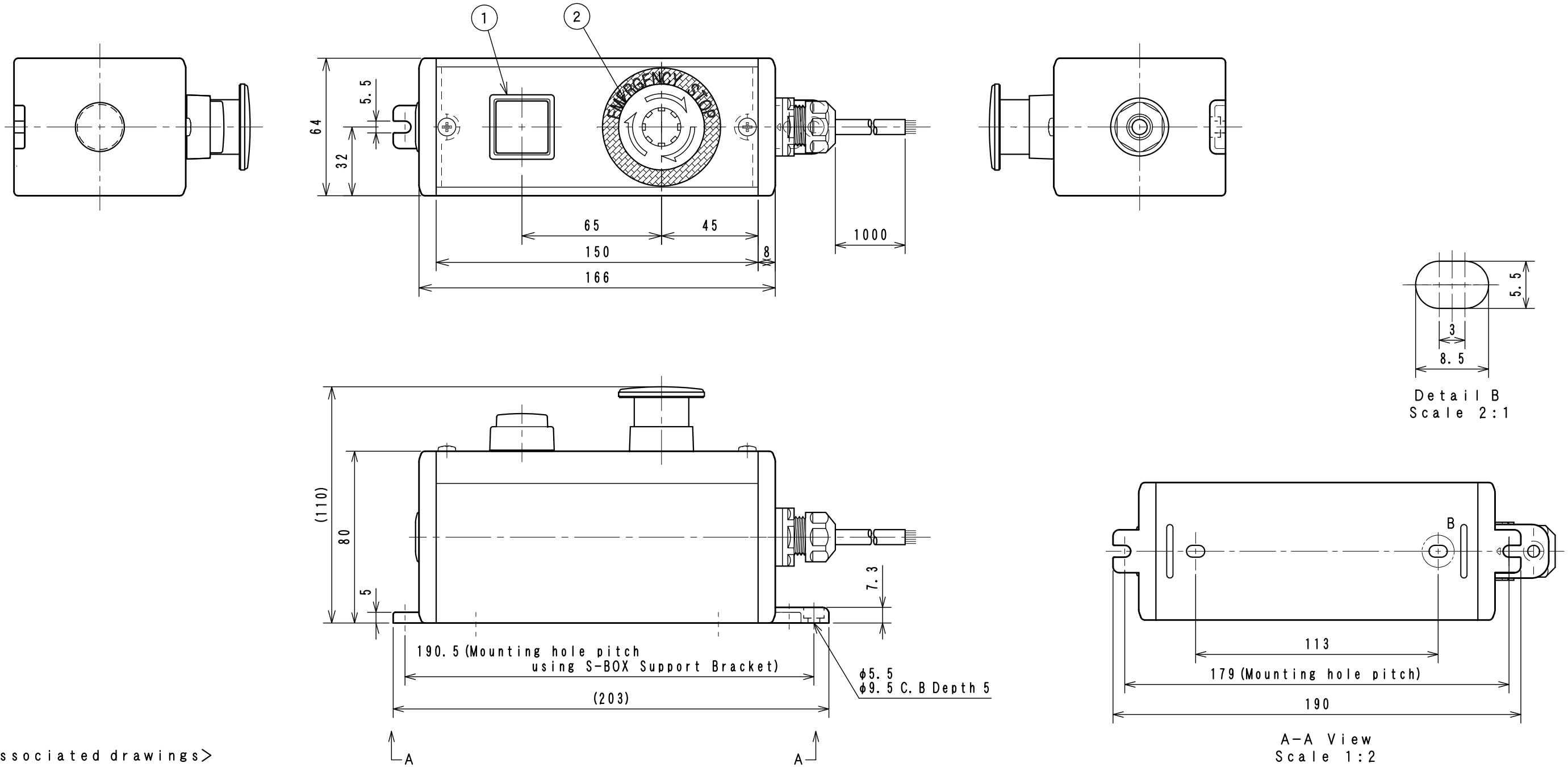


Item No.	Assembly Name
NJC-207	S-6480D Switch 2 (G) 1m/1P+SB

※Attached: S-BOX Support Bracket <D4R-001B>

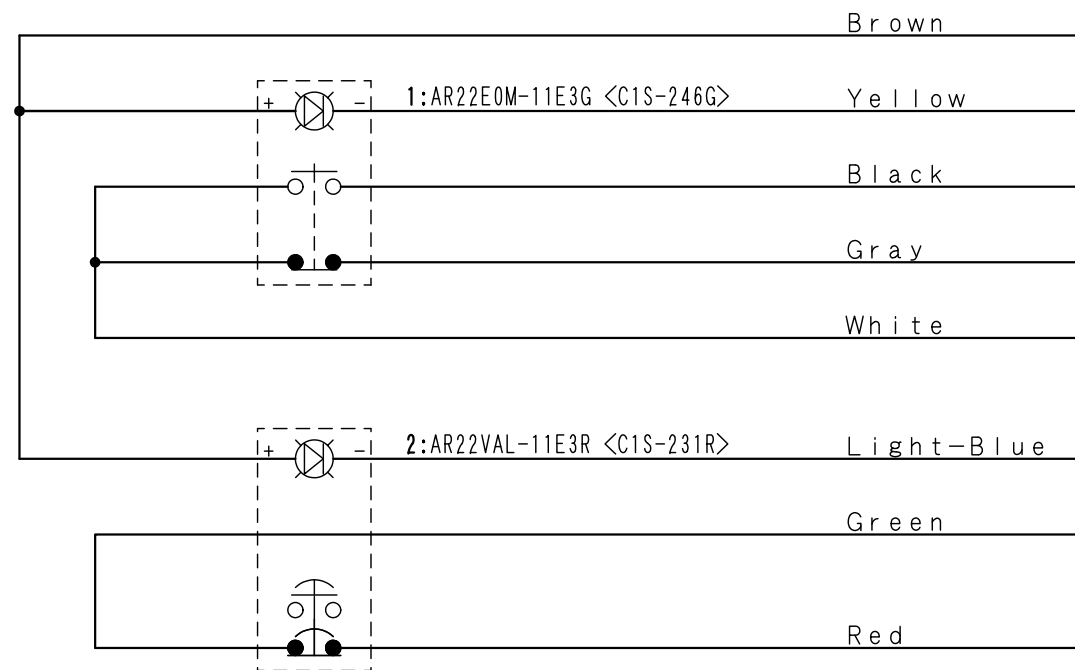
1	C1S-246G	Pushbutton Switch (Lighted) AR22E0M-11E3R
2	C1S-231R	Emergency Stop Switch (Lighted) AR22VAL-11E3R



<Associated drawings>
WCW000546-00

Applicable Item No.	NJC-207
	NJC-217
	NJC-227

No.	Switch Model No.	Item No.
1	AR22E0M-11E3G	C1S-246G
2	AR22VAL-11E3R	C1S-231R



Cable processing detail

