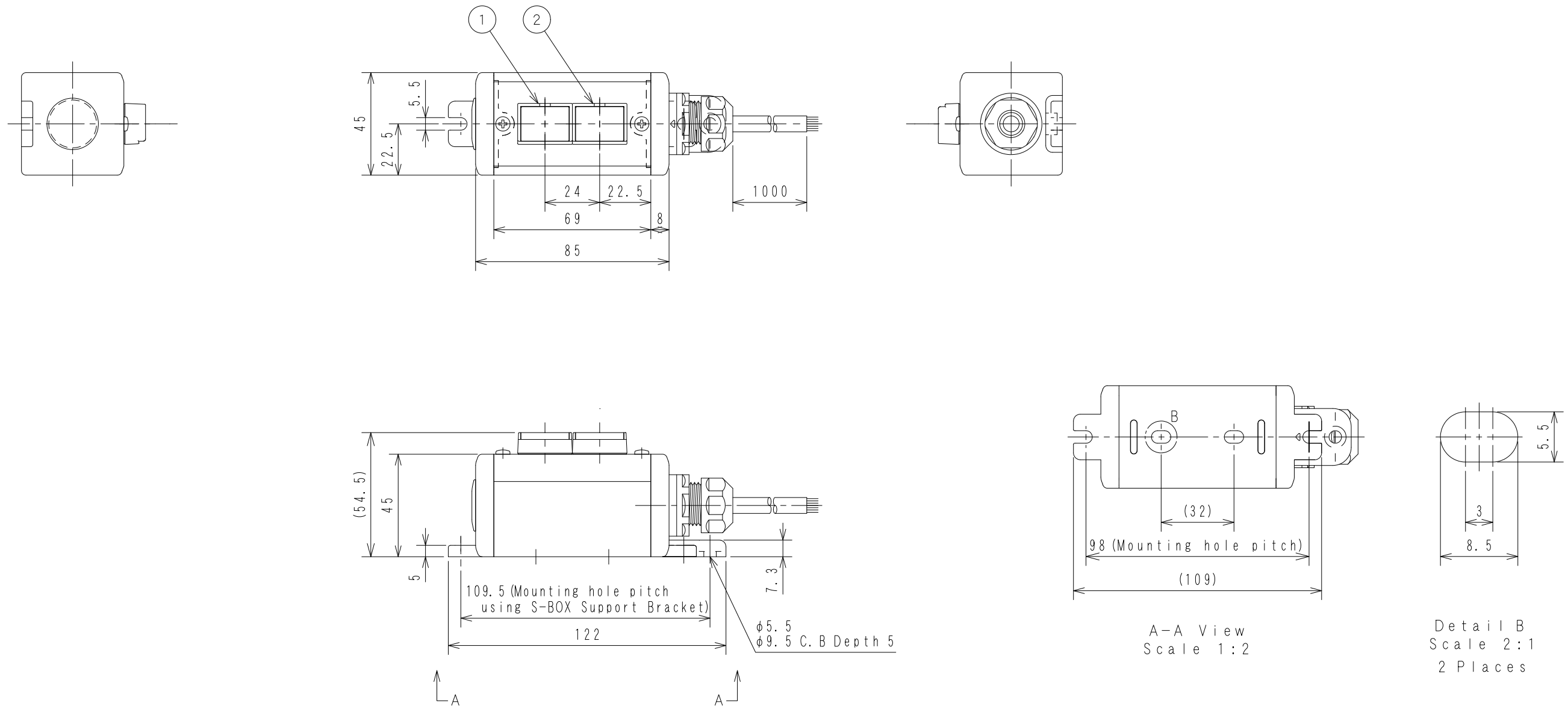


Item No.
NJC-213

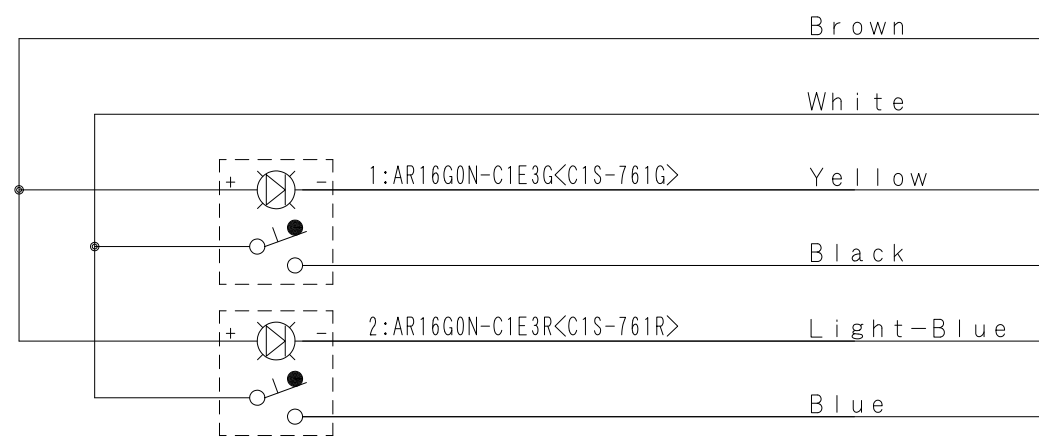
1	C1S-761G	Pushbutton Switch(Lighted) AR16G0N-C1E3G
2	C1S-761R	Pushbutton Switch(Lighted) AR16G0N-C1E3R

※Attached:S-BOX Support Bracket <D4R-001B>



Applicable Item No.	NJC-213
---------------------	---------

No.	Switch Model No.	Item No.
1	AR16G0N-C1E3G	C1S-761G
2	AR16G0N-C1E3R	C1S-761R



Cable processing detail

