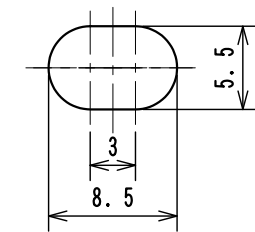
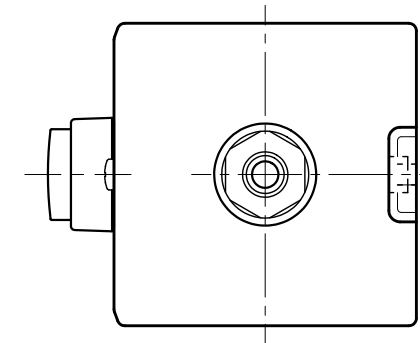
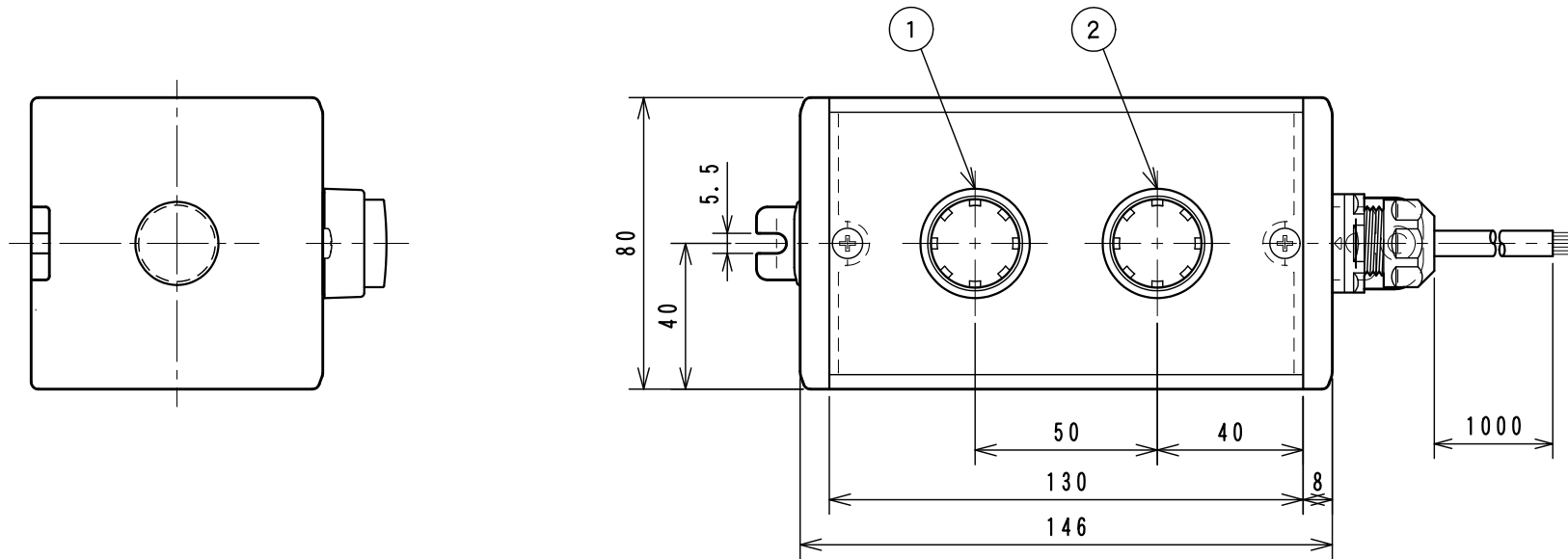


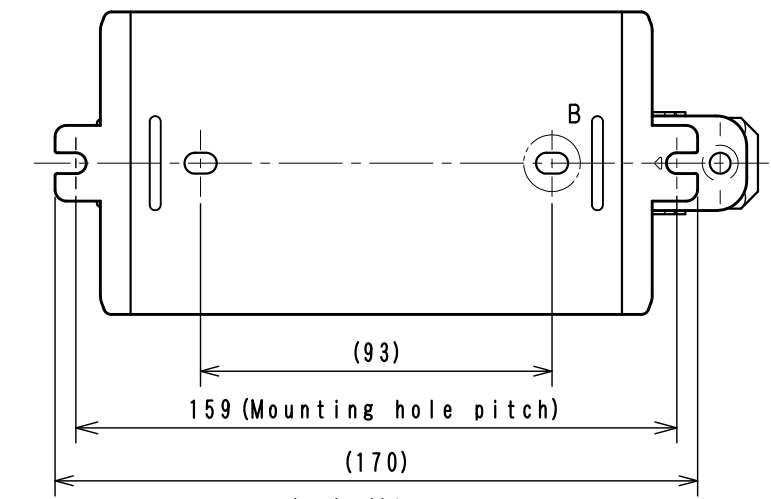
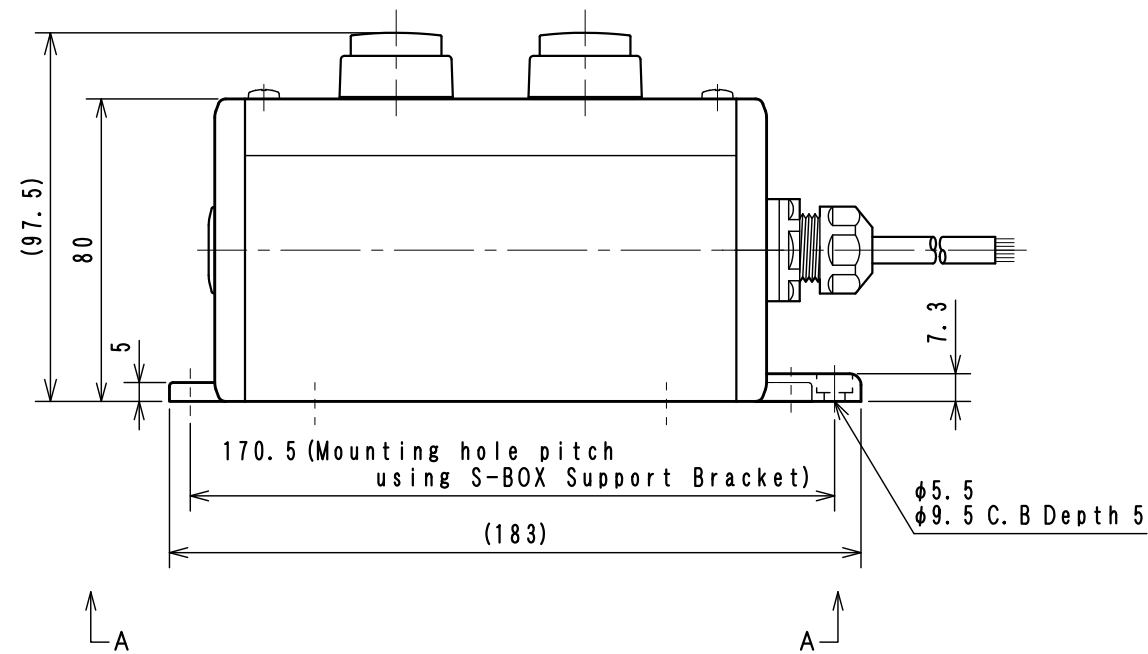
Item No.	Assembly Name
NJC-21B	S-8080D Switch 2R (GR) /1m 1P+SB

※Attached: S-BOX Support Bracket <D4R-001B>

1	C1S-233G	Pushbutton Switch(Lighted) AR22E0L-11E3G
2	C1S-233R	Pushbutton Switch(Lighted) AR22E0L-11E3R



Detail B
Scale 2:1



A-A View
Scale 1:2

<Associated drawings>
WCW000550-00

Applicable Item No.	NJC-20B
	NJC-21B
	NJC-22B

No.	Switch Model No.	Item No.
1	AR22E0L-11E3G	C1S-233G
2	AR22E0L-11E3R	C1S-233R

Cable processing detail

